

BNSH 120/50

Levelling element, round without floor attachment

Item no. 12-0024

Especially suitable for isolating machines with high dynamic forces as injection moulding machines, presses, punches etc. on floors or at insufficient solid ground.

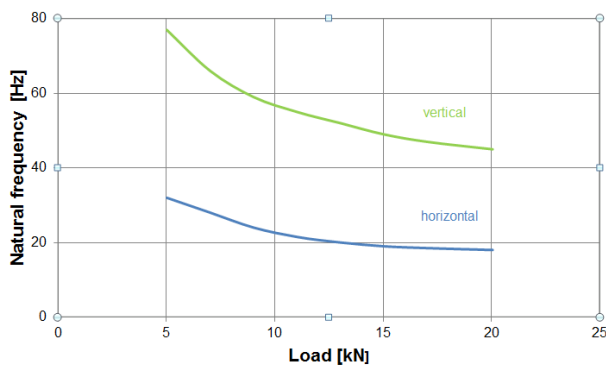
Properties

Technical Data	
Load	20,000 N
Range of adjustment	+18 mm
Weight*	3.000g – 3.300g
Material	GG25 / EN-GJL-250 GGG50 / EN-GJL-500
Coat of varnish	RAL 7037, Dusty grey

Abmessungen	
Diameter [D1]	133 mm
Diameter [D2]	124 mm
H min [H1]	51 mm
H max [H2]	69 mm
Thread [G]	M16x1,5

Insulation pad	
Pad type	B50
Thickness of pad	25 mm
Hardness in Shore A	90 ±5

Levelling bolts (with 1x nut and 1x washer)				
Size	Length	WAF 1	WAF 2	Art. no.
M16	100 mm	12 mm	24 mm	19-0079
	125 mm			19-0258
	150 mm			19-0081
	200 mm			19-0083

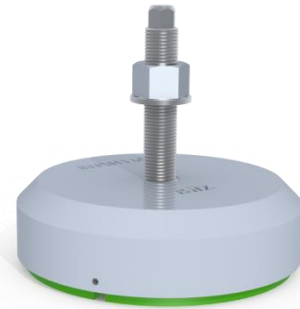


Allowable temperature range: -20° C to +80° C

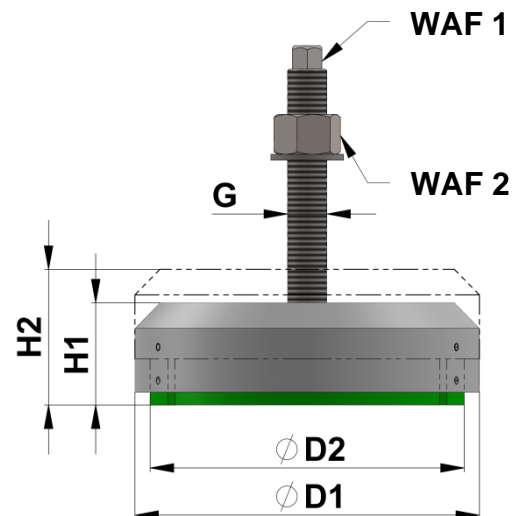
Good resistance to most commercially available coolants and lubricants and fuels, as well as cleaning agents.

*Weight according to the bolt length with nut and washer

Exemplary Illustration



Dimensional sketch



Example of installation

