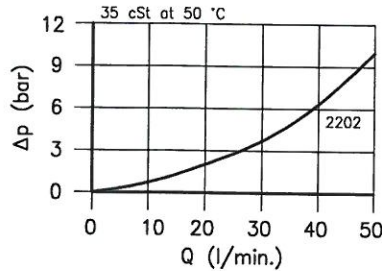
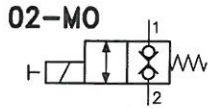
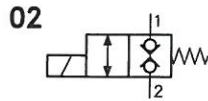
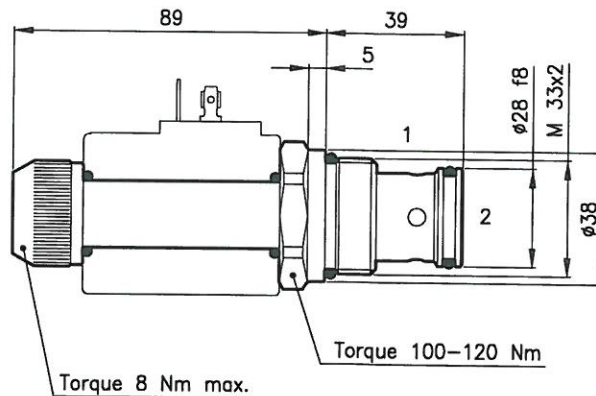
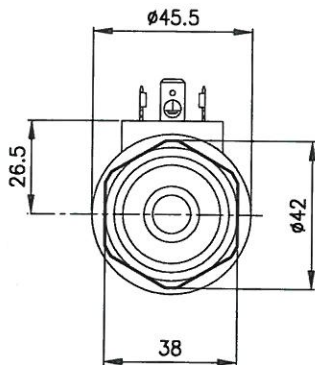


**Technical features**



Cavity (For dimensions see catalogue 17.000)	S 50/2
Max. flow 02/02-MO (l/min.)	50
Max. pressure (bar)	315
Response time (ms) It change in function of circuit, pressure, flow and fluid viscosity.	40 - 80 (Mean value)
Fluid viscosity range (cSt)	2.8 - 380
Fluid temperature range (°C)	-20 +80
Mass (kg)	0.460
Hydraulic fluid; mineral oil HM and HV	ISO 6074
Recommended filtration; 19/15 ISO 4466 (25 μ absolutes)	
Standard seals in Polyurethane and Buna N	

**Dimensions**



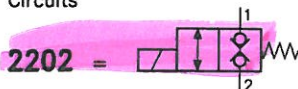
**Ordering informations**

**ECD 50/2202-MO**

ECD 50/22.. = Valve type



Circuits



MO = Manual override  
(Omit if not request)

Codes:

ECD 50/2202	55 011 113
ECD 50/2202-MO	55 011 114
External seals kit	90 620 106

ECD 50/22.. valves can be assembled on standard bodies 50-L0 series; for dimensions see catalogue 16.010

On the ECD 50 valves must be assembled the Coils B50 series; for dimensions, features and codes see catalogues 09.900 and 09.901.