

Ultimate Connector with Integral Cable Clamp Cap

Type OSTW Standard Size with Cable Clamp Cap

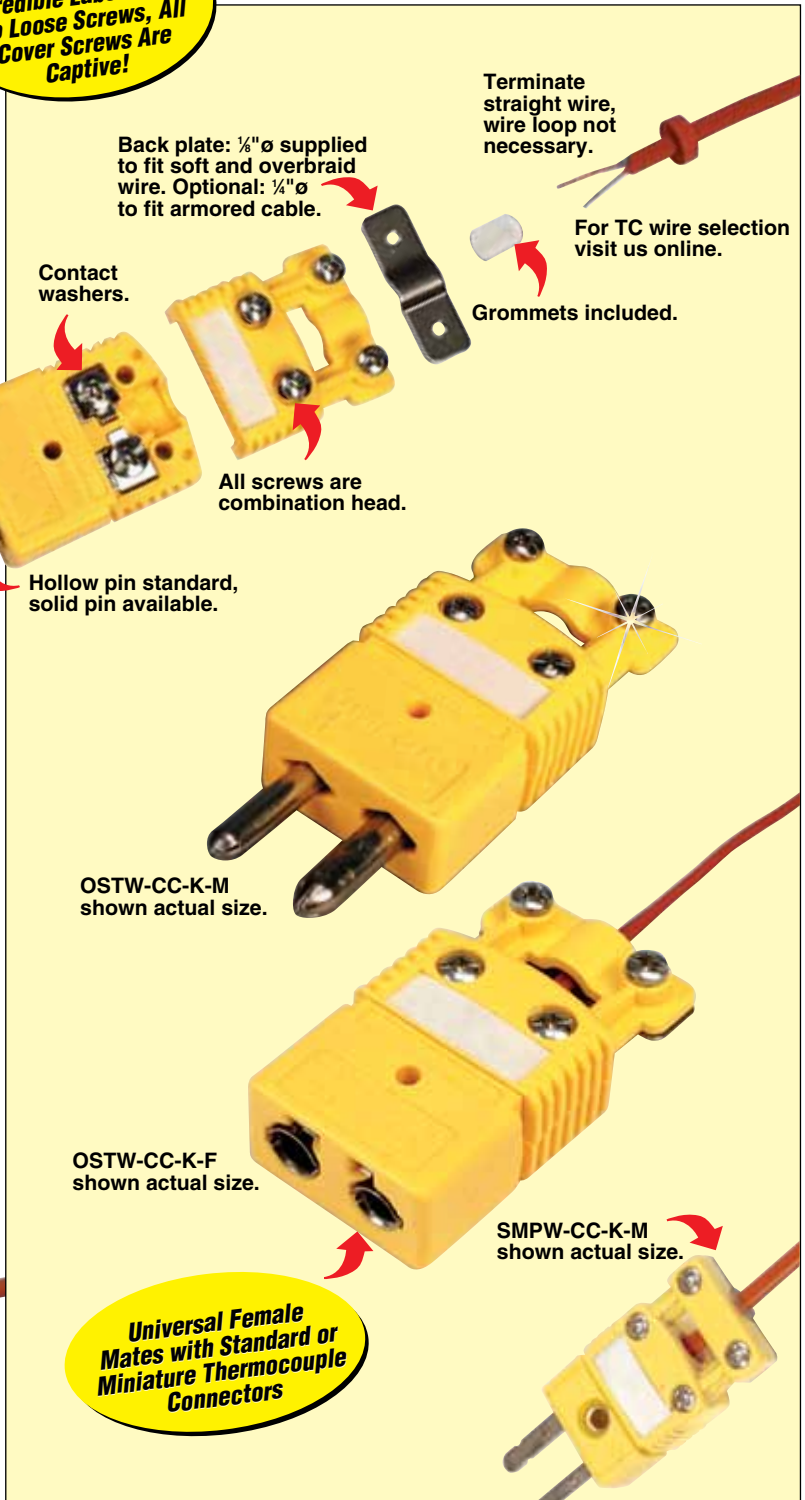
OSTW-CC Series

- ✓ Integral Cap and Cable Clamp
- ✓ Strain Relief With Grommet
- ✓ Pull Test High Rating
- ✓ Captive Cover and Clamp Screws
- ✓ Wire Termination Up to Size 14 AWG
- ✓ 1/8" Back Plate (Supplied)
Accepts: Stranded, Solid, TWSH, Overbraid, or RSC Coil Cord Wire
- ✓ 1/4" Back Plate (Optional)
Clamps to 8.2 mm (0.325") OD
- ✓ Contact Washers for Quick Connect Wire Terminations—No Wire Loop Required
- ✓ Internal Wire Divider
- ✓ Write-On Window
- ✓ Combination Phillips/Slot Screws
- ✓ 100% Top Side Assembly
- ✓ Glass Filled Nylon Rated From -29 to 180°C (-20 to 356°F)

Note: Minor discoloration of connector may occur between 150°C (302°F) and 180°C (356°F). Electrical properties are not affected.

**Incredible Labor Saver!
No Loose Screws, All Cover Screws Are Captive!**

Reduce Assembly Time From 3 Minutes to Less Than 1 Minute!

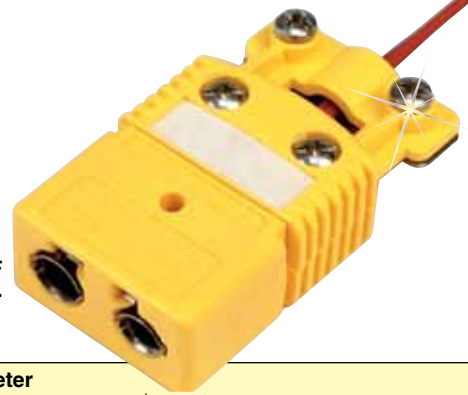


OSTW-CC-K-M
shown actual size.



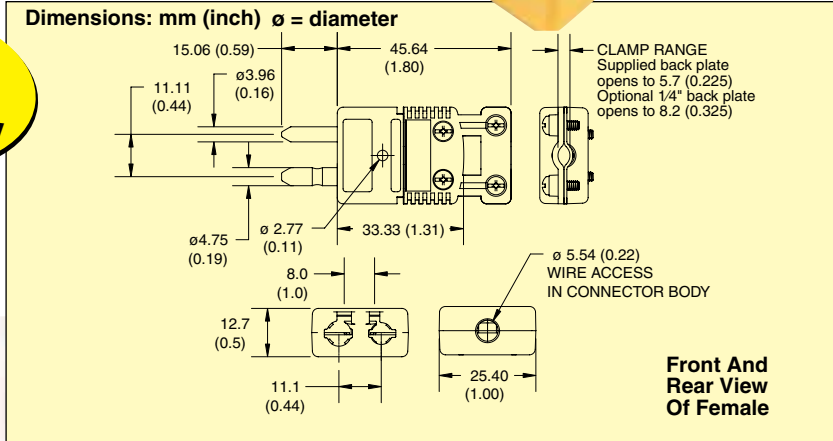
**Pull Test
Highest Rating**

OSTW-CC-K-F
shown actual size.



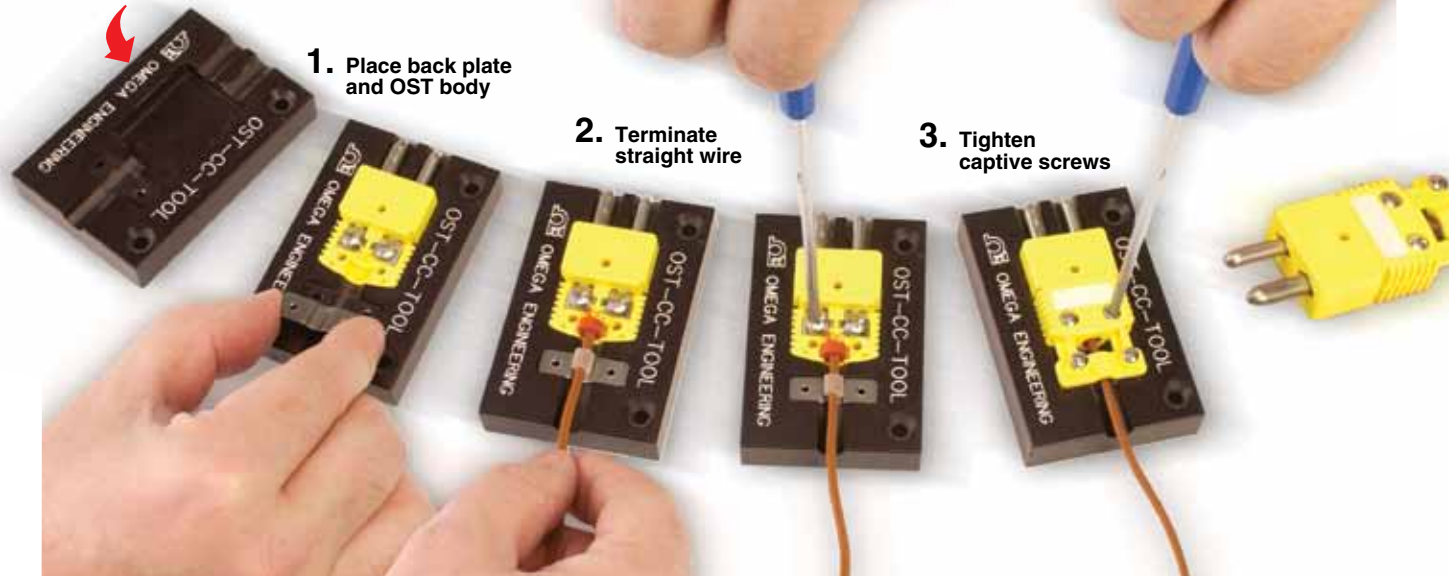
**Side Load
Equal to
Stainless Steel**

Discount Schedule	
1-10	Net
11-49	5%
50-99	10%
100-999	15%
1000-4999	20%
5000 and over.....	25%



Quick Assembly Tool!

OST-CC-TOOL shown smaller than actual size.



1. Place back plate and OST body

2. Terminate straight wire

3. Tighten captive screws

To Order

Alloy Code	Compensating Alloy Used in Connector		ANSI Color Code	Glass-Filled Nylon Model Number	
	(+)	(-)		Male*	Uni-Female
K	CHROMEPA	ALOMEGA	Yellow	OSTW-CC-K-M	OSTW-CC-K-F
T	Copper	Constantan	Blue	OSTW-CC-T-M	OSTW-CC-T-F
J	Iron	Constantan	Black	OSTW-CC-J-M	OSTW-CC-J-F
E	CHROMEPA	Constantan	Purple	OSTW-CC-E-M	OSTW-CC-E-F
R/S	Copper	RNX/SNX	Green	OSTW-CC-R/S-M	OSTW-CC-R/S-F
C	CPX	CNX	Red	OSTW-CC-C-M	OSTW-CC-C-F
U	Copper	Copper	White	OSTW-CC-U-M	OSTW-CC-U-F
N	OMEGA-P	OMEGA-N	Orange	OSTW-CC-N-M	OSTW-CC-N-F

* To order solid pin male connectors, add suffix "-S" to the model number for additional cost.

Ordering Example: OSTW-CC-K-M, clamp cap, Type K, hollow pin male.