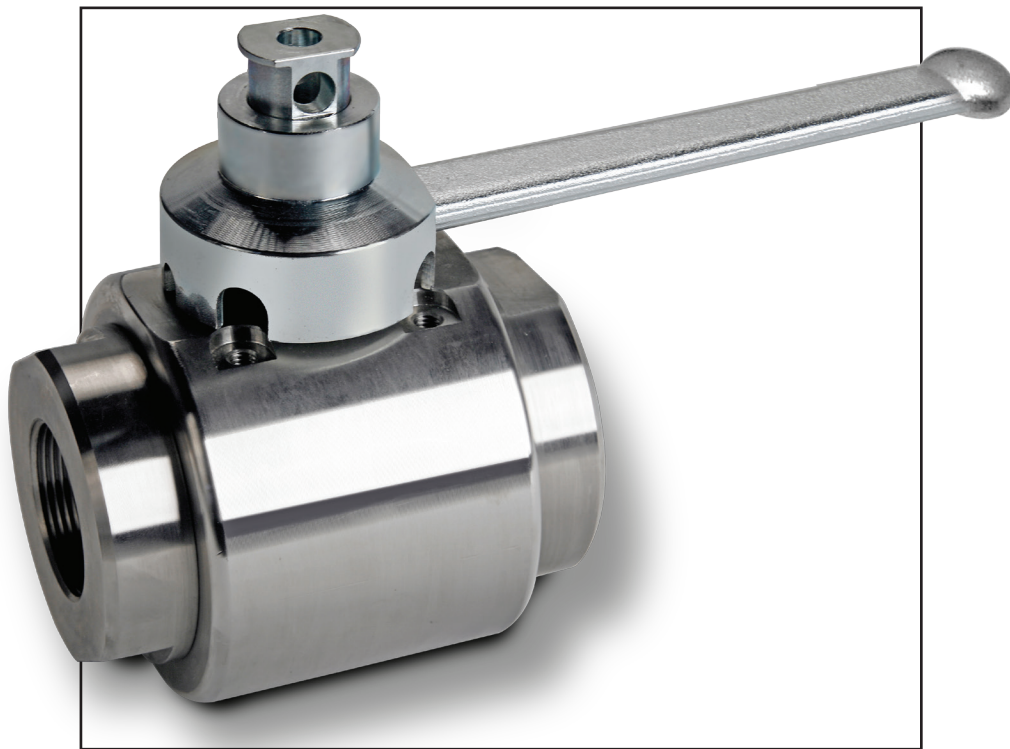




SERIES VS 360 AND VS 360 ESW FULL PORT - 6000 PSI RATED BALL VALVES

## VS360 & VS360ESW



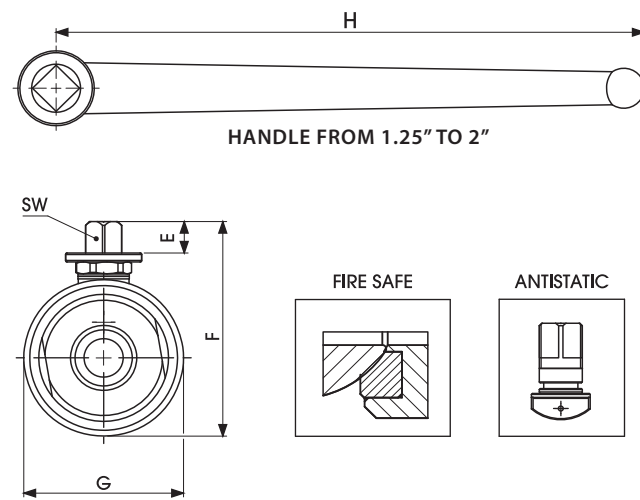
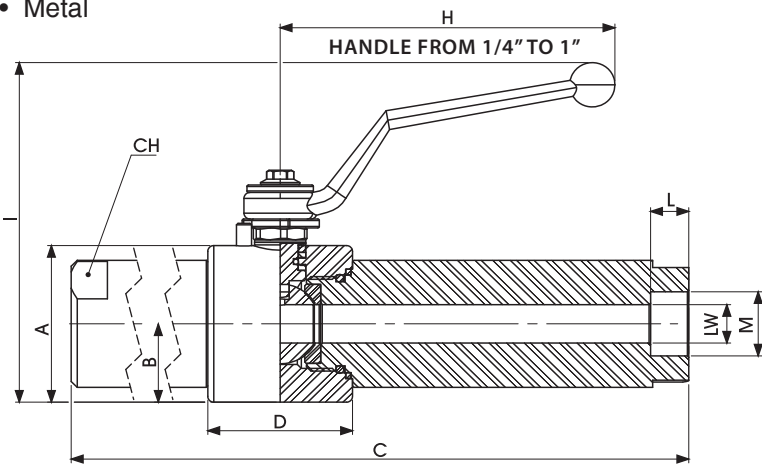
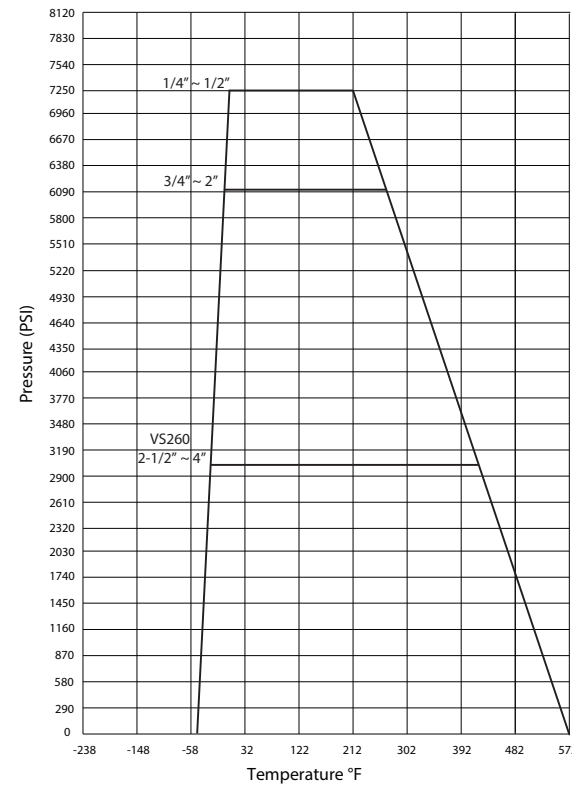
## TRIAD® SERIES VS360 AND VS360ESW - 6000 PSI RATED BALL VALVES

The Triad Series VS high pressure valves are 7252 psi for sizes 1/4" ~ 1/2", 6092 psi for sizes 3/4" ~ 2" psi and 3000 psi for sizes 2-1/2" ~ 4" rated full port ball valves.

The specially designed PEEK seat produces stability under extreme pressure loads.

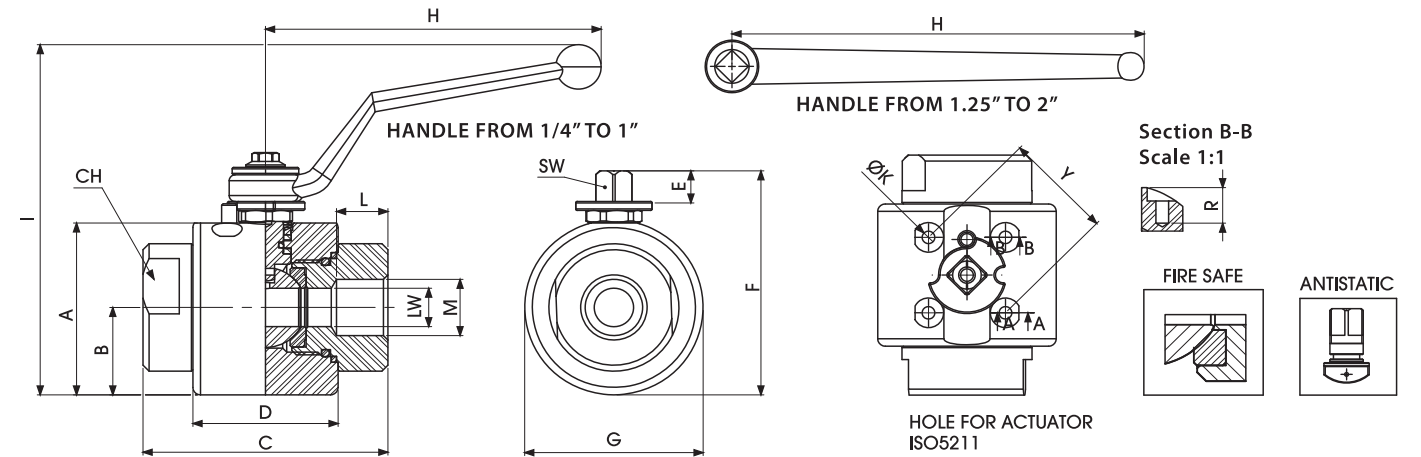
Specifications:

- Body: Carbon Steel A105 VS360-CS or Stainless Steel A276 A479 316L VS360-SS
- Fire Rated / ASME B16.34 / BS5351
- Ball/Stem A276 A479 316LSS
- Seats: PEEK
- Temperature Range: Carbon Steel: -51°F to 482° F depending on seat material.  
Stainless Steel: -76°F to 482° F depending on seat material.
- Standard Locking Handle Device
- NPT or Extended Socket Weld
- Other end connections on request
- Optional seats include:
  - Delrin
  - Kel-F
  - Metal

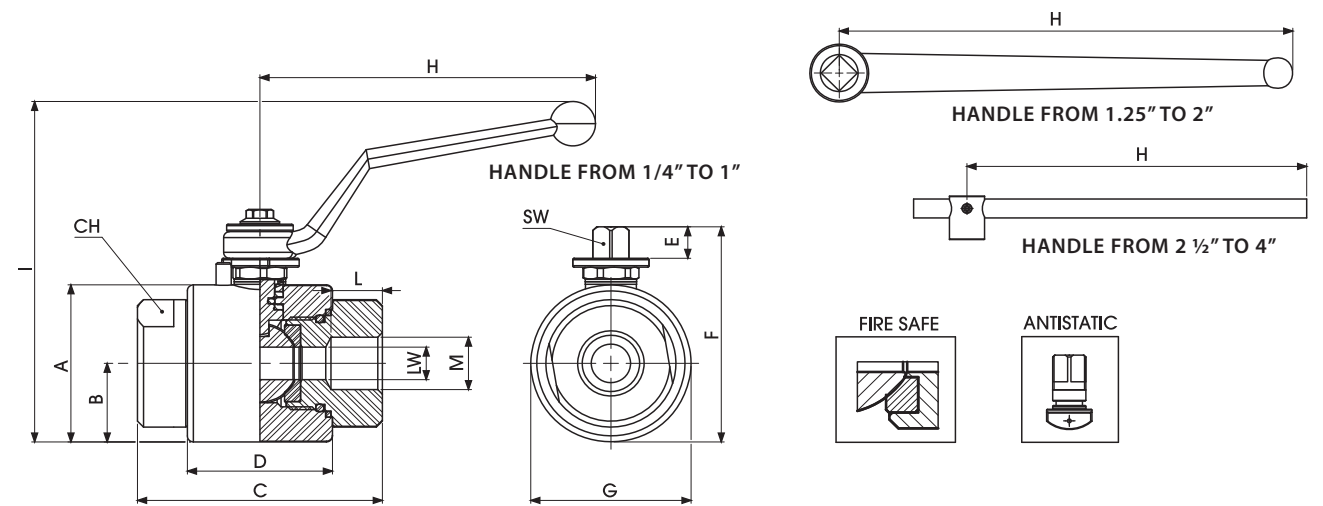


VS 360 ESW																			
TYPE	PN	A	B	C	D	E	F	G	H	I	L	Y	K	M	CH	SW	LW	WEIGHT lbs	WALL THICKNESS
VS-360 ESW 1/4"	7252 PSI	2.09	0.93	10.32	1.73	0.41	2.76	2.13	4.33	4.45	0.44	1.42	M5	0.56	1.26	0.35	0.24	5.94	0.39
VS-360 ESW 3/8"	7252 PSI	2.09	0.93	10.32	1.73	0.41	2.76	2.13	4.33	4.45	0.44	1.42	M5	0.69	1.26	0.35	0.39	5.72	0.39
VS-360 ESW 1/2"	7252 PSI	2.29	1.04	10.68	1.89	0.41	2.97	2.32	4.33	4.65	0.50	1.42	M5	0.86	1.50	0.35	0.51	7.27	0.50
VS-360 ESW 3/4"	6092 PSI	2.86	1.24	11.35	2.44	0.55	3.76	2.92	7.09	5.04	0.59	1.97	M6	1.07	1.89	0.55	0.79	12.31	0.50
VS-360 ESW 1"	6092 PSI	3.19	1.44	11.66	2.60	0.55	4.10	3.27	7.09	5.40	0.63	1.97	M6	1.33	2.17	0.55	0.99	16.57	0.58
VS-360 ESW 1-1/4"	6092 PSI	3.78	1.65	12.53	3.27	0.55	4.67	3.90	11.82	5.04	0.69	1.97	M6	1.68	2.56	0.67	1.26	24.47	0.59
VS-360 ESW 1-1/2"	6092 PSI	4.31	1.95	12.81	3.51	0.55	5.22	4.49	11.82	5.59	0.75	2.76	M8	1.92	3.15	0.67	1.58	34.03	0.60
VS-360 ESW 2"	6092 PSI	4.65	2.21	13.79	3.98	0.55	5.56	4.85	11.82	5.91	0.87	2.76	M8	2.41	3.55	0.67	1.97	42.19	0.64

## TRIAD® SERIES VS360 AND VS360ESW - 6000 PSI RATED BALL VALVES



VS 360																			
TYPE	PN	A	B	C	D	E	F	G	H	I	L	Y	K	M	CH	SW	LW	WEIGHT lbs	WALL THICKNESS
VS-360 1/4"	7252 PSI	2.09	0.93	2.84	1.73	0.41	2.76	2.13	4.33	4.45	0.67	1.42	M5	1/4"NPT	1.261	0.35	0.24	2.29	0.39
VS-360 3/8"	7252 PSI	2.09	0.93	2.84	1.73	0.41	2.76	2.13	4.33	4.45	0.67	1.42	M5	3/8"NPT	1.261	0.35	0.39	2.24	0.39
VS-360 1/2"	7252 PSI	2.29	1.04	3.19	1.89	0.41	2.97	2.32	4.33	4.65	0.83	1.42	M5	1/2"NPT	1.497	0.35	0.51	2.92	0.50
VS-360 3/4"	6092 PSI	2.86	1.24	3.86	2.44	0.55	3.76	2.92	7.09	5.04	0.83	1.97	M6	3/4"NPT	1.891	0.55	0.79	5.80	0.50
VS-360 1"	6092 PSI	3.19	1.44	4.18	2.60	0.55	4.10	3.27	7.09	5.40	0.95	1.97	M6	1"NPT	2.167	0.55	0.99	7.59	0.58
VS-360 1-1/4"	6092 PSI	3.78	1.65	5.00	3.27	0.55	4.67	3.90	11.82	5.04	0.99	2.76	M8	1-1/4"NPT	2.561	0.67	1.26	12.87	0.59
VS-360 1-1/2"	6092 PSI	4.31	1.95	5.32	3.51	0.55	5.22	4.49	11.82	5.59	0.99	2.76	M8	1-1/2"NPT	3.152	0.67	1.58	17.74	0.60
VS-360 2"	6092 PSI	4.65	2.21	6.30	3.98	0.55	5.56	4.85	11.82	5.91	1.06	2.76	M8	2"NPT	3.546	0.67	1.97	22.91	0.64

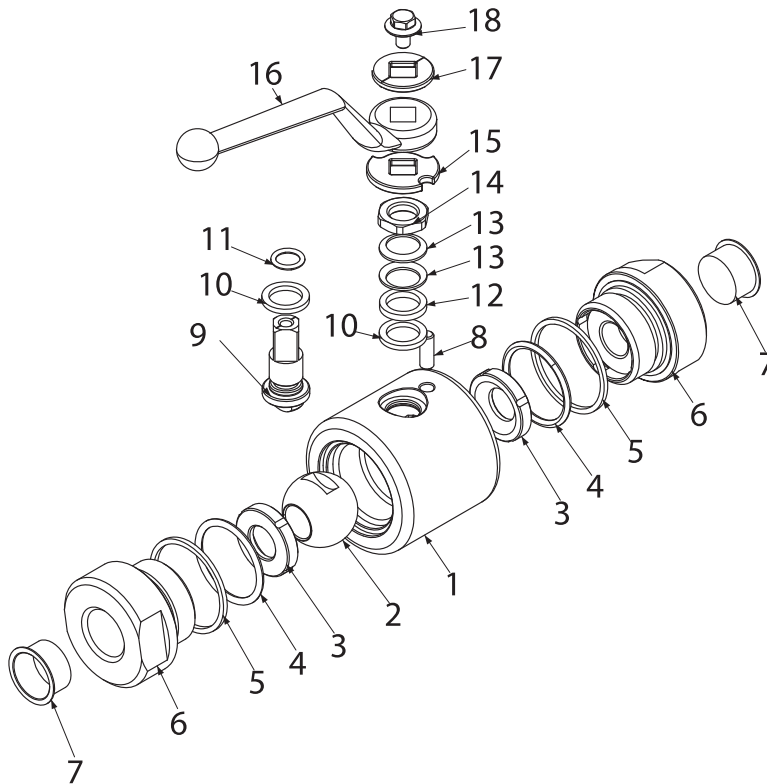


TYPE	RATING	A	B	C	D	E	F	G	H	I	L	M	CH	SW	LW	WEIGHT lbs	WALL THICKNESS
VS-260 2-1/2"	3000 PSI	5.52	2.76	6.86	4.14	0.93	6.95	5.91	23.64	8.90	1.26	2-1/2"NPT	4.33	0.75	2.56	38.51	0.96
VS-260 3"	3000 PSI	6.11	3.05	7.55	4.49	0.93	7.53	6.58	23.64	9.50	1.26	3"NPT	4.93	0.75	3.15	50.37	1.14
VS-260 4"	3000PSI	7.41	3.70	9.06	5.83	1.22	9.12	7.88	23.64	10.97	1.58	4"NPT	5.91	0.75	3.94	81.40	1.48



# TRIAD<sup>®</sup>

process equipment



ITEM	DESCRIPTION	MATERIAL	Q
1	Body	A105/A276 A479 316LSS	1
2	Ball	A276 A479 316LSS	1
3	Seal	PEEK	2
4	O-ring adapter	NBR	2
5	Ring adapter	PTFE Enc. METAL	2
6	Ends	A105/A276 A479 316LSS	2
7	Caps	PVC	2
8	STOP	A144	1
9	Stem	A276 A479 316LSS	1
10	Ring-stem	PTFE/GRAPHITE	2
11	O-ring stem	NBR	1
12	Ring press	304SS	1
13	Spring	304SS	2
14	Nut	304SS	1
15	Washer	304SS	1
16	Handle	Fe37 STEEL	1
17	Washer	304SS	1
18	Screw	304SS	1

TRIAD ALSO OFFERS  
AN EXTENSIVE LINE OF  
PNEUMATIC AND  
ELECTRIC ACTUATORS,  
SOLENOID VALVES,  
LIMIT SWITCHES  
AND POSITIONERS

**Triad Process Equipment is ISO 9001:2008 certified.**

4922 TECHNICAL DRIVE, MILFORD, MI 48381 • 248.685.9938 • WWW.TRIADPROCESS.COM