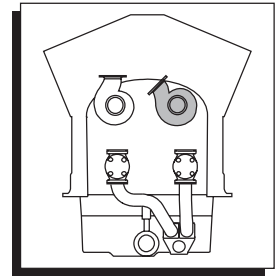
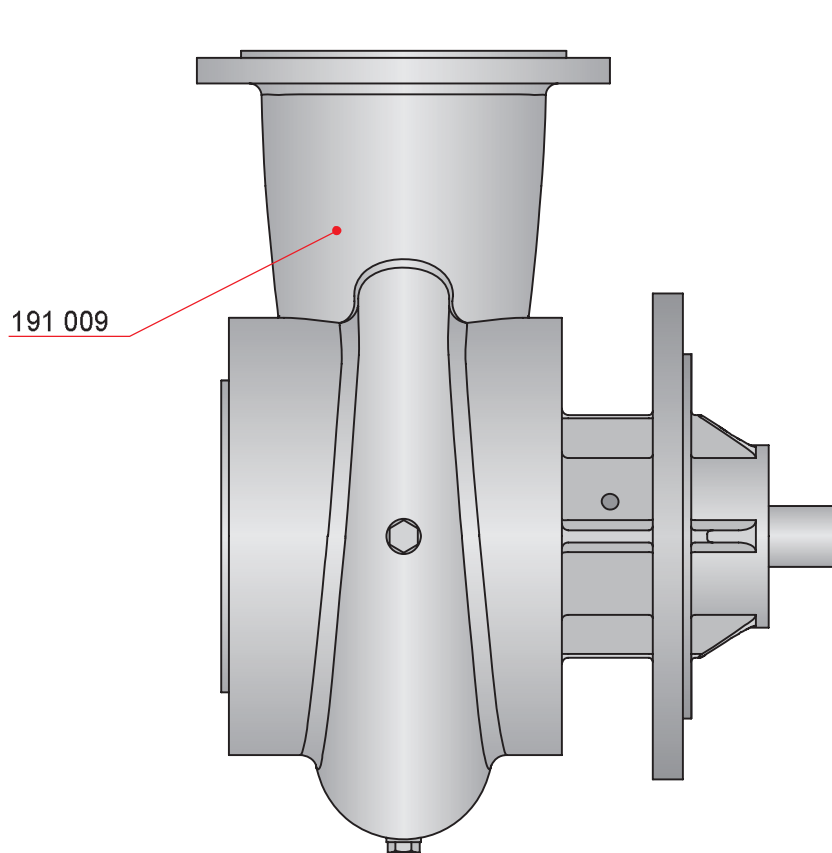


## HT water pump



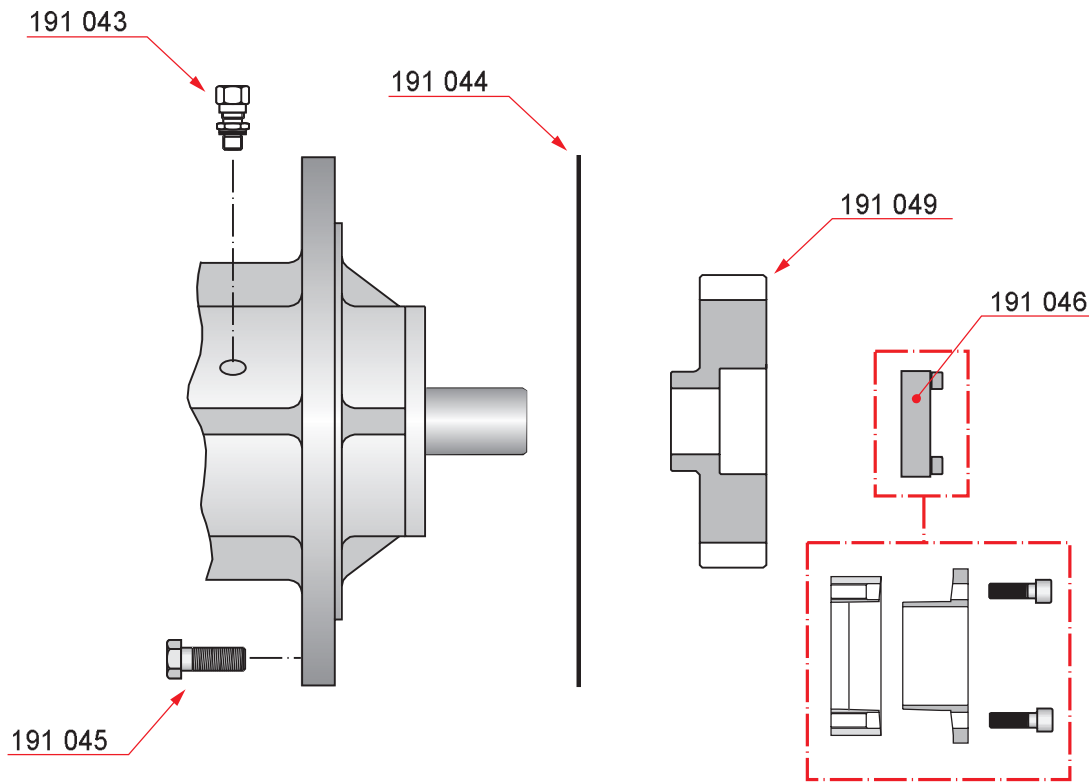
Part No.	Description	Qty [Pcs]	Wt. [Kg]
191 009	HT water pump, compl. *	1	-

NOTE! \*) See page 3.

Edition: D

Page: 2(4)

Updated: 06.02.2017

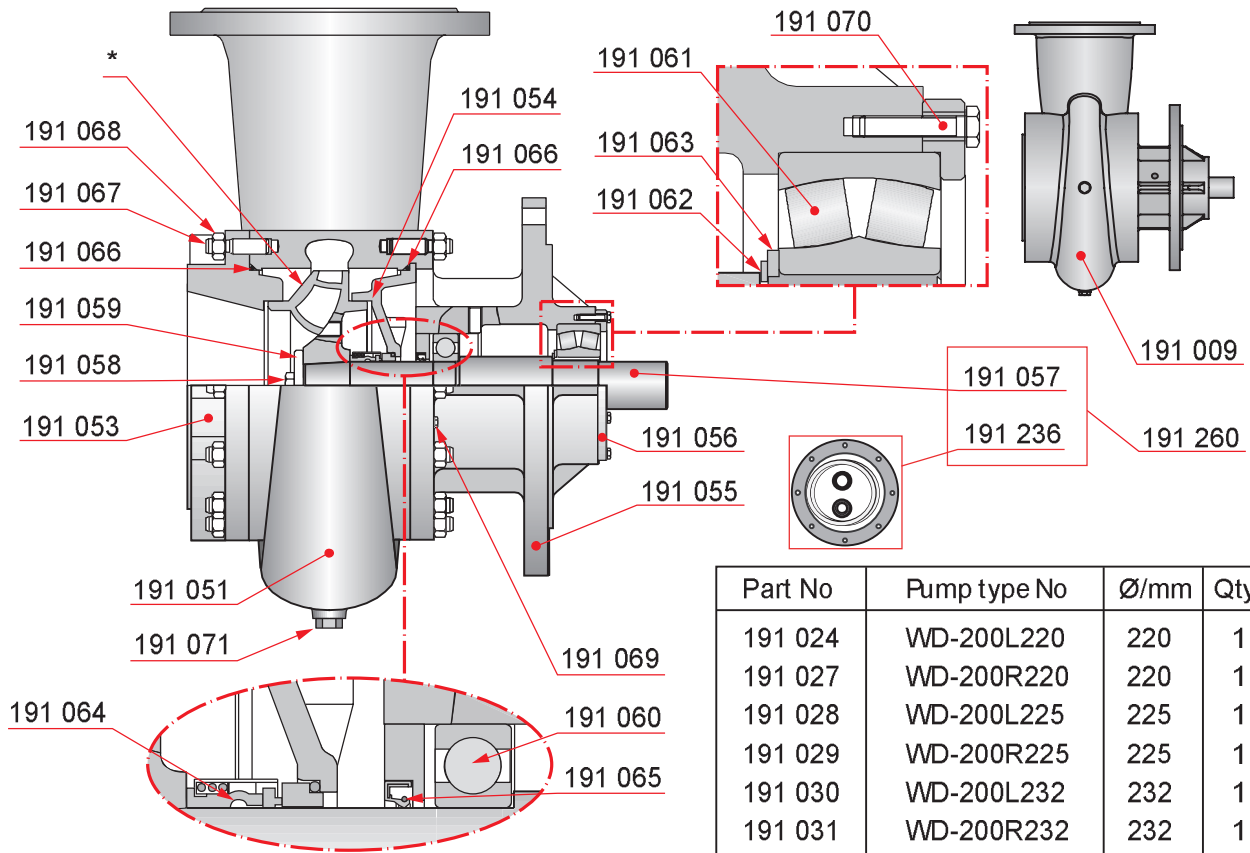
**HT water pump**

Part No.	Description	Qty [Pcs]	Wt. [Kg]
191 043	Male stud fitting	1	-
191 044	Gasket (1)	1	-
191 045	Screw	8	-
191 046	Clamping ring, compl. *	1	-
191 049	Gear wheel	1	-

NOTE! (1) Included in a kit, not available separately. See page 4 for more details.

NOTE! \*) Delivered as complete.

# HT water pump

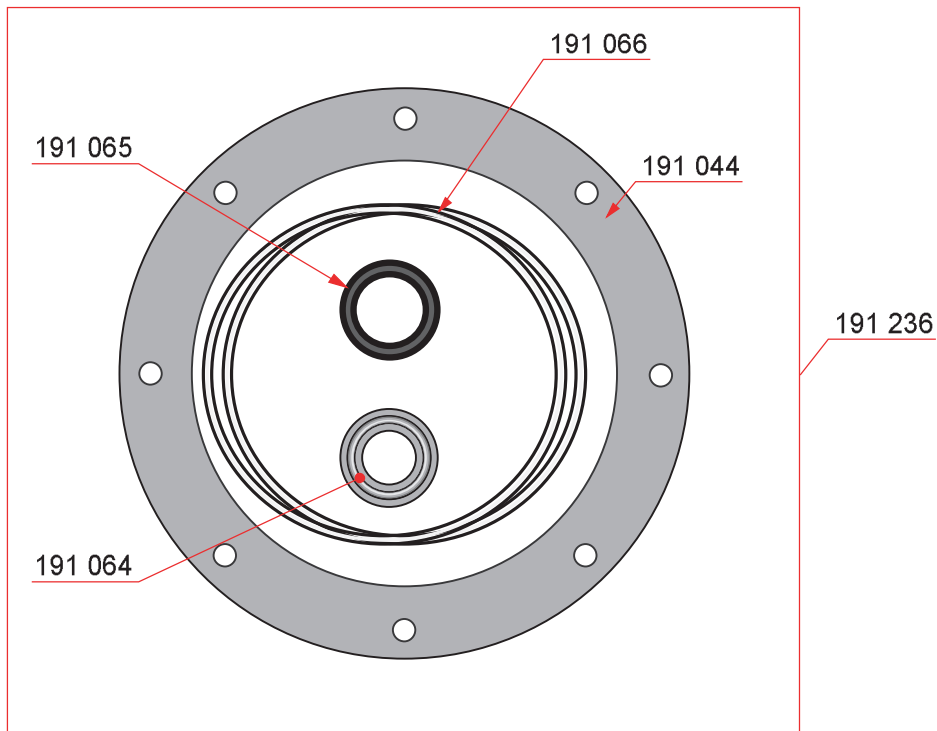


Part No.	Description	Qty [Pcs]	Wt. [Kg]	Part No.	Description	Qty [Pcs]	Wt. [Kg]
191 009	HT water pump, compl.	1	-	191 260	Pump shaft replacement set (2)	1	-
191 024	Impeller *	1	-	191 057	Shaft (2)	1	-
191 027	Impeller *	1	-	191 236	Sealing kit	1	-
191 028	Impeller *	1	-				
191 029	Impeller *	1	-				
191 030	Impeller *	1	-	NOTE!	(1) Included in a kit, not available separately. See page 4 for more details.		
191 031	Impeller *	1	-				
191 051	Spiral casing	1	-				
191 053	Casing cover	1	-	NOTE!	(2) When ordering the pump shaft, please use SPN 191260 Pump shaft replacement set, the sealing kit (with needed seals for replacement) will be delivered with the shaft.		
191 054	Sealing flange	1	-				
191 055	Bearing housing	1	-				
191 056	Bearing cover	1	-				
191 058	Screw	1	-				
191 059	Washer	1	-	NOTE!	*) To choose right spare part number for impeller, see pump type from table		
191 060	Cylindrical roller bearing	1	-				
191 061	Spherical roller bearing	1	-				
191 062	Retaining ring	1	-				
191 063	Support ring	1	-				
191 064	Slide ring gasket (1)	1	-				
191 065	Shaft seal (1)	1	-				
191 066	O-ring (1)	2	-				
191 067	Stud	24	-				
191 068	Nut	24	-				
191 069	Screw	2	-				
191 070	Screw	8	-				
191 071	Plug	3	-				

Edition: D

Page: 4(4)

Updated: 06.02.2017

**HT water pump**

Part No.	Description	Qty [Pcs]	Wt. [Kg]
191 236	Sealing kit	1	-
191 044	Gasket (1)	1	-
191 064	Slide ring gasket (1)	1	-
191 065	Shaft seal (1)	1	-
191 066	O-ring (1)	2	-

NOTE! (1) Included in a kit, not available separately.