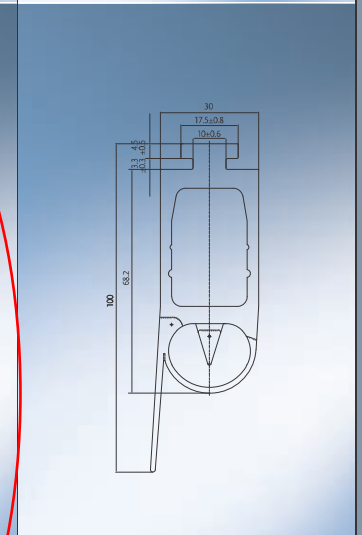
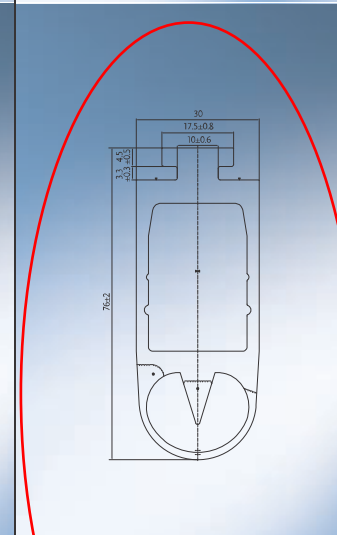
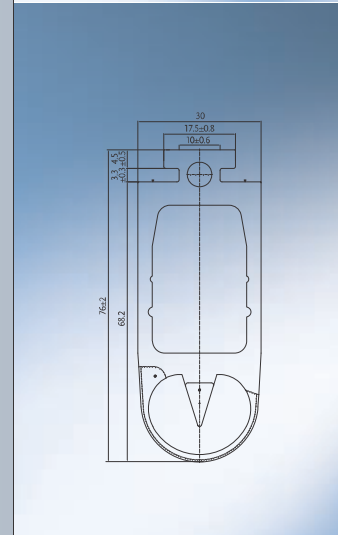
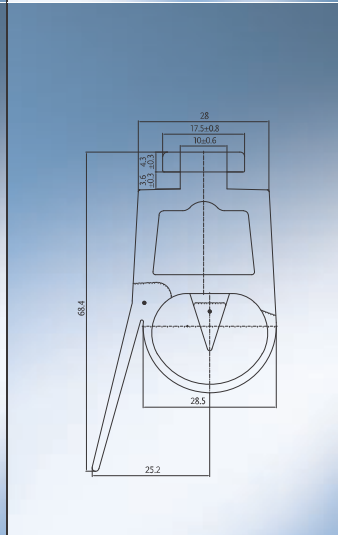
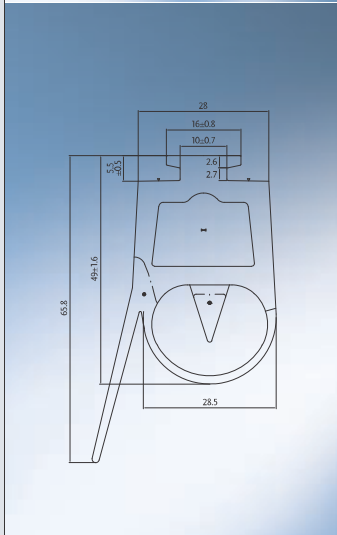
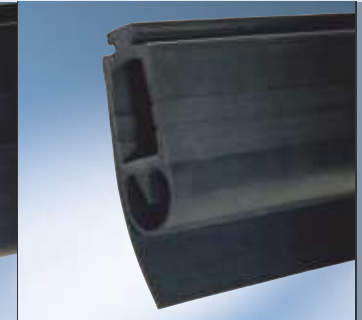
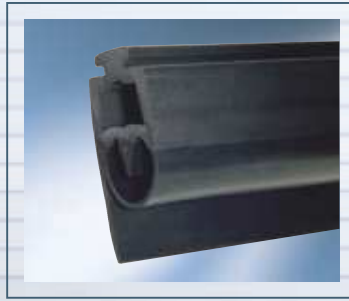


CONTACT-DUO-PROFILE

/ Contact-Duo-Profile overview



Profile overview

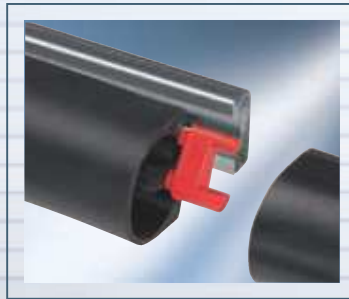
Type	008.02	008.04
Article no.	3100.0802	3100.0804
Colour	Black	Black
Material	EPDM	EPDM
Profile foot	Braselmann	T-foot
Switching head, insulated	No	No
Sealing lip	Yes	Yes
Connection types	AAS/AOS (standard)	AAS/AOS (standard)
Delivery length	20 m	20 m
Min. diameter, sheath profile		

003.10I	003.10N	002.10
3100.0310I	3100.0310N	3100.0210
Black	Black	Black
EPDM	NBR	EPDM
T-foot	T-foot	T-foot
Yes	No	No
No	No	Yes
AAS/AOS (standard)	AAS/AOS (standard)	AAS/AOS (standard)
20 m	20 m	20 m

For dimensions without tolerance particulars, tolerance-free dimensions as per DIN ISO 3302-1 E2 shall apply.

ACCESSORIES

/ Terminating plug connector with resistor overview



/ Flexible wire jumper overview

/ For the Quadro-Profil



Accessories Terminating plug connectors with resistor

Electrical termination of the switching strip in conjunction with a resistance evaluator

	8.2 kΩ	8.2 kΩ	8.2 kΩ	8.2 kΩ
Article description				
Article no.	3031.1306B	3031.1186	3031.1806	3031.2206
For switching strip profile				
Type	Article no.			
001.02	3100.0102	X		
001.10I	3100.0110I	X		
001.10N	3100.0110N	X		
001.10RED	3100.0110RED	X		
001.10YELLOW	3100.0110Y	X		
018.10	3100.0118		X	
018.10N	3100.0118N		X	
018.10WHITE	3100.0118W		X	
002.10	3100.0210	X		
003.10I	3100.0310I	X		
003.10N	3100.0310N	X		
005.02	3100.0502	X		
005.10	3100.0510	X		
006.02	3100.0602	X		
006.10	3100.0610	X		
008.02	3100.0802	X		
008.04	3100.0804	X		
016.10	3100.1610	X		
016.10N	3100.1610N	X		
018.30	3100.1830		X	
060.00	3100.6000		X	
080.00	3100.8000			X

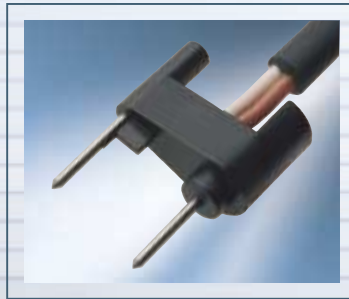
Accessories Flexible wire jumpers

For establishing the cross-connections only for the Quadro-Profil

Article description			
Article no.	3031.1800	3031.2200	
For switching strip profile			
Type	Article no.		
001.02	3100.0102		
001.10I	3100.0110I		
001.10N	3100.0110N		
001.10RED	3100.0110RED		
001.10YELLOW	3100.0110Y		
018.10	3100.0118		
018.10N	3100.0118N		
018.10WHITE	3100.0118W		
002.10	3100.0210		
003.10I	3100.0310I		
003.10N	3100.0310N		
005.02	3100.0502		
005.10	3100.0510		
006.02	3100.0602		
006.10	3100.0610		
008.02	3100.0802		
008.04	3100.0804		
016.10	3100.1610		
016.10N	3100.1610N		
018.30	3100.1830		
060.00	3100.6000	X	
080.00	3100.8000		X

ACCESSORIES

/ Connecting cable with plug connector overview



Accessories Connecting cables with plug connector

For establishing the connection
between the switching strip and the
evaluator/control system



Article description	Length	0.35 m	1 m	2 m	3 m	4 m	5 m	10 m	15 m
Article no.		3020.1300B	3020.1301B	3020.1302B	3020.1303B	3020.1304B	3020.1305B	3020.1306B	3020.1307B
For switching strip profile									
Type	Article no.								
001.02	3100.0102	X	X	X	X	X	X	X	X
001.10I	3100.0110I	X	X	X	X	X	X	X	X
001.10N	3100.0110N	X	X	X	X	X	X	X	X
001.10RED	3100.0110RED	X	X	X	X	X	X	X	X
001.10YELLOW	3100.0110Y	X	X	X	X	X	X	X	X
018.10	3100.0118								
018.10N	3100.0118N								
018.10WHITE	3100.0118W								
002.10	3100.0210	X	X	X	X	X	X	X	X
003.10I	3100.0310I	X	X	X	X	X	X	X	X
003.10N	3100.0310N	X	X	X	X	X	X	X	X
005.02	3100.0502	X	X	X	X	X	X	X	X
005.10	3100.0510	X	X	X	X	X	X	X	X
006.02	3100.0602	X	X	X	X	X	X	X	X
006.10	3100.0610	X	X	X	X	X	X	X	X
008.02	3100.0802	X	X	X	X	X	X	X	X
008.04	3100.0804	X	X	X	X	X	X	X	X
016.10	3100.1610	X	X	X	X	X	X	X	X
016.10N	3100.1610N	X	X	X	X	X	X	X	X
018.30	3100.1830								
060.00	3100.6000								
080.00	3100.8000								

0.35 m	1 m	3 m	5 m	0.35 m	1 m	2 m	3 m	5 m	10 m
3020.1180	3020.1181	3020.1183	3020.1185	3020.2200	3020.2201	3020.2202	3020.2203	3020.2205	3020.2206
X	X	X	X						
X	X	X	X						
X	X	X	X						
X	X	X	X						
				X	X	X	X	X	X
				X	X	X	X	X	X

ACCESSORIES

/ End cap with circumferential edge overview



Accessories End caps with circumferential edge

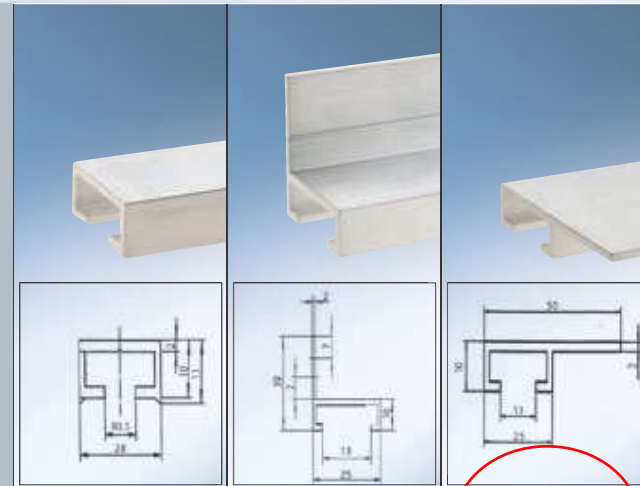
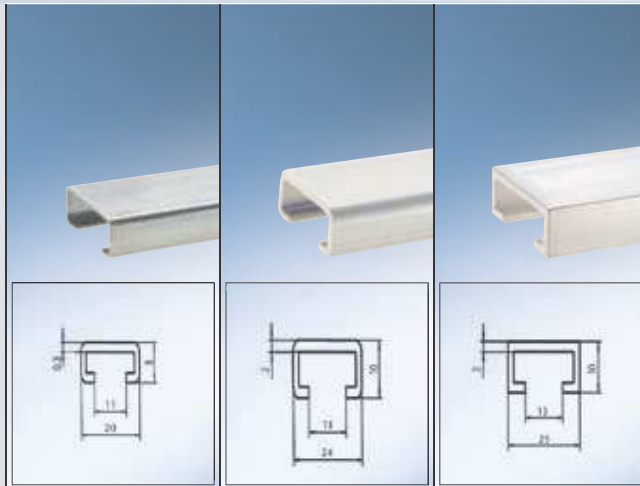
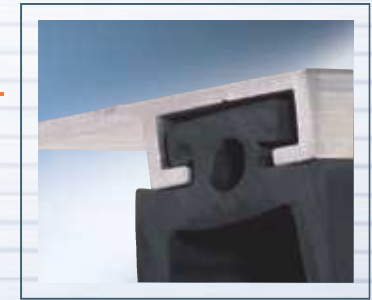
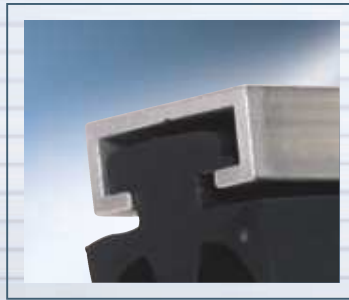
For sealing the switching strip ends
against dust and moisture

Article description	EPDM cap with four possible cable outlets*	EPDM cap with two possible cable outlets*	EPDM cap with four possible cable outlets, red*	EPDM cap with four possible cable outlets, yellow*	NBR cap with four possible cable outlets*	NBR cap with two possible cable outlets*	EPDM cap with two possible cable outlets*
Article no.	3050.1302	3050.1302-2	3050.1302R	3050.1302Y	3050.1302N	3050.1302N-2	3050.1303B
For switching strip profile							
Type	Article no.						
001.02	3100.0102	X	X				
001.10I	3100.0110I	X	X				
001.10N	3100.0110N						
001.10RED	3100.0110RED				X		
001.10YELLOW	3100.0110Y			X			
018.10	3100.0118					X	
018.10N	3100.0118N						
018.10WHITE	3100.0118W						
002.10	3100.0210						
003.10I	3100.0310I						X
003.10N	3100.0310N						X
005.02	3100.0502	X	X				
005.10	3100.0510	X	X				
006.02	3100.0602	X	X				
006.10	3100.0610	X	X				
008.02	3100.0802						X
008.04	3100.0804						X
016.10	3100.1610						X
016.10N	3100.1610N						
018.30	3100.1830						
060.00	3100.6000						
080.00	3100.8000						

* See connection types, page 44

MOUNTING RAILS

/ C-rail overview



Type	C-rail 112/KS	C-rail 112/S	C-rail 112/A
Article no.	3045.1111	3045.1112	3045.1212
Material	Steel galvanised	Steel galvanised	Aluminium Al Mg Si 0.5 F 22
Delivery lengths	2 m	2 m	2 m/4 m
For switching strip profile/rubber-sheath-profile			
Type	Article no.		
001.02	3100.0102	X	
001.10I	3100.0110I		X
001.10N	3100.0110N		X
001.10RED	3100.0110RED		X
001.10YELLOW	3100.0110Y	X	X
018.10	3100.0118		
018.10N	3100.0118N		
018.10WHITE	3100.0118W		
002.10	3100.0210	X	X
003.10I	3100.0310I		X
003.10N	3100.0310N		X
005.02	3100.0502	X	
005.10	3100.0510		X
006.02	3100.0602	X	
006.10	3100.0610		X
008.02	3100.0802	X	
008.04	3100.0804		X
016.10	3100.1610		X
016.10N	3100.1610N		X
018.30	3100.1830		
01.111	3100.1111		

Type	C-rail 112/A1	C-rail 112/A2	C-rail 112/A3
Article no.	3045.1213*	3045.1214	3045.1215
Material	Aluminium Al Mg Si 0.5 F 22	Aluminium Al Mg Si 0.5 F 22	Aluminium Al Mg Si 0.5 F 22
Delivery lengths	2 m	2 m/4 m	2 m/4 m
For switching strip profile/rubber-sheath-profile			
Type	Article no.		
001.02	3100.0102	X	X
001.10I	3100.0110I		X
001.10N	3100.0110N		X
001.10RED	3100.0110RED		X
001.10YELLOW	3100.0110Y	X	X
018.10	3100.0118		
018.10N	3100.0118N		
018.10WHITE	3100.0118W		
002.10	3100.0210	X	X
003.10I	3100.0310I		X
003.10N	3100.0310N		X
005.02	3100.0502	X	
005.10	3100.0510		X
006.02	3100.0602	X	
006.10	3100.0610		X
008.02	3100.0802	X	
008.04	3100.0804		X
016.10	3100.1610		X
016.10N	3100.1610N		X
018.30	3100.1830		
01.111	3100.1111		

*Only for profile lengths of up to max. 2 m