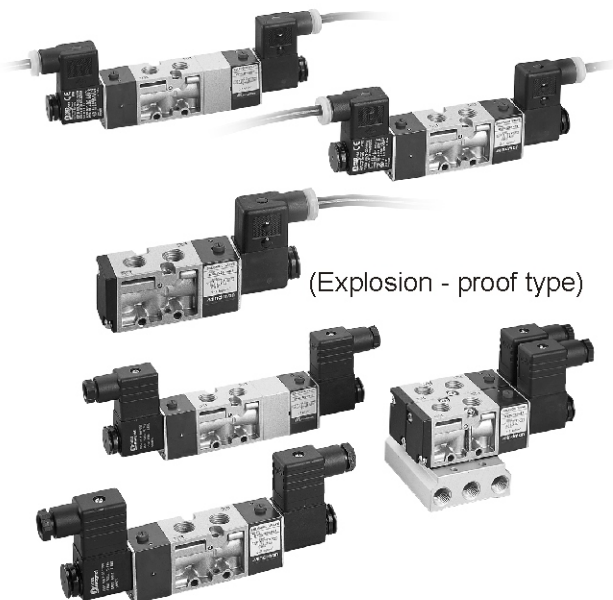


# MVSC-260 series

## SOLENOID VALVE



### Specification:

Model	MVSC-260-4E1	MVSC-260-4E2	MVSC-260-4E2C.P.R
Bore No.	8A		
Port size	PT 1/4		
No. of port	5		
No. of position	2	2	3
Medium	Air		
Operating pressure range	2~7 kgf/cm <sup>2</sup>		3~7 kgf/cm <sup>2</sup>
Proof pressure	10 kgf/cm <sup>2</sup>		
Effective orifice	18 mm <sup>2</sup>		16 mm <sup>2</sup>
Response time	40 ms		
Ambient temperature	-5~ +50℃ (No freezing)		
Voltage	AC110V, 220V (50/60)Hz, DC24V		
Power consumption	AC=6/4.9VA, DC=2.5W		
Available voltage range	± 10%		
Insulation class	F class		
Weight	228 g	314 g	444 g

### Order example of valve:

**MVSC - 260 - 4E2C - AC110 - L - BSP**

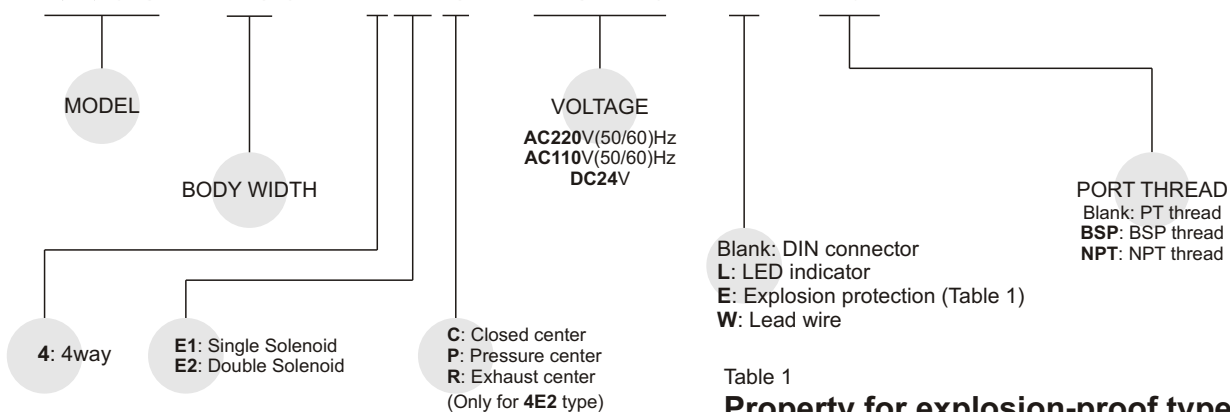


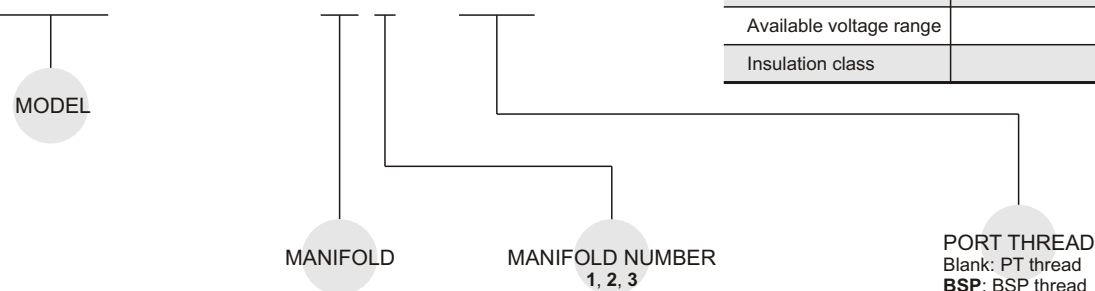
Table 1

### Property for explosion-proof type

Anti-explosion class	EEx m II T4
Voltage	AC110V, 220V.(50/60)Hz, DC24V.
Power consumption	AC=4.4VA DC=5W
Available voltage range	± 10%
Insulation class	F class

### Order example of manifold:

**MVSA - 260 - 5B3 - BSP**



※Use the same manifold with MVSA.

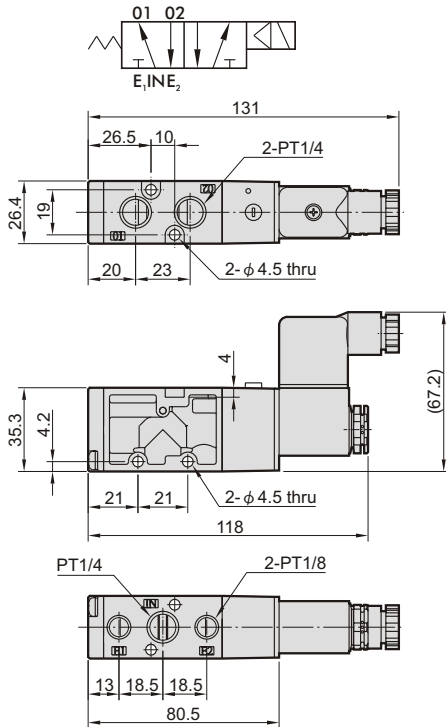
# MVSC-260

SOLENOID VALVE

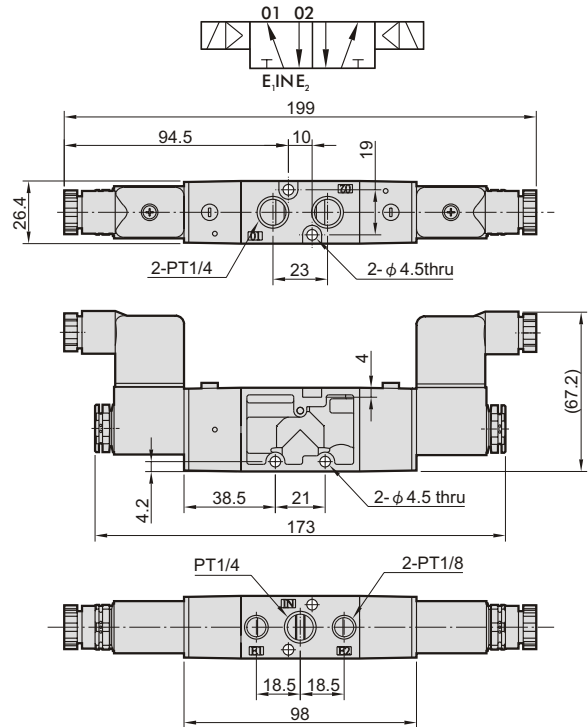


## Dimensions:

### MVSC-260-4E1

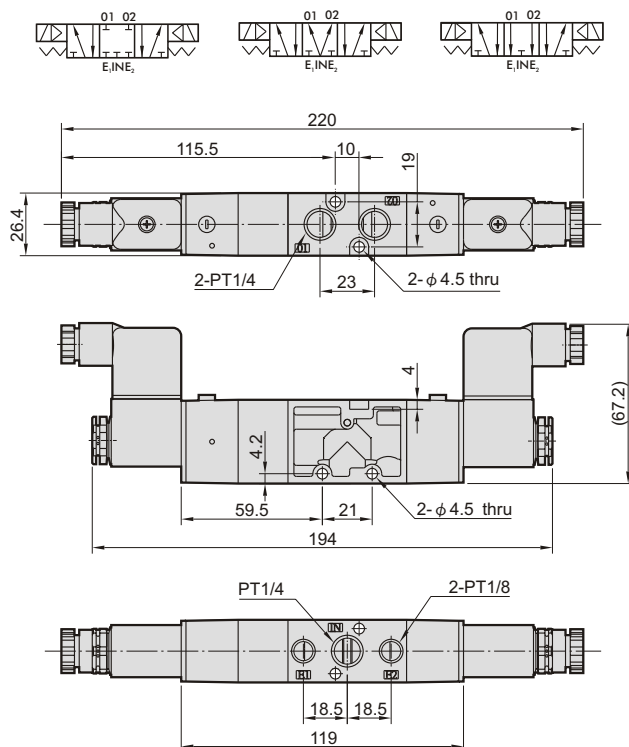


### MVSC-260-4E2

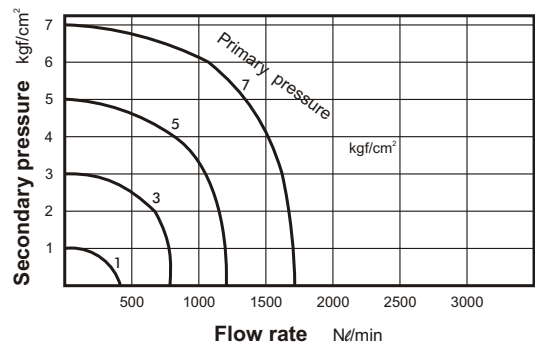


### MVSC-260-4E2C.P.R

MVSC-260-4E2C    MVSC-260-4E2P    MVSC-260-4E2R



## Flow features:

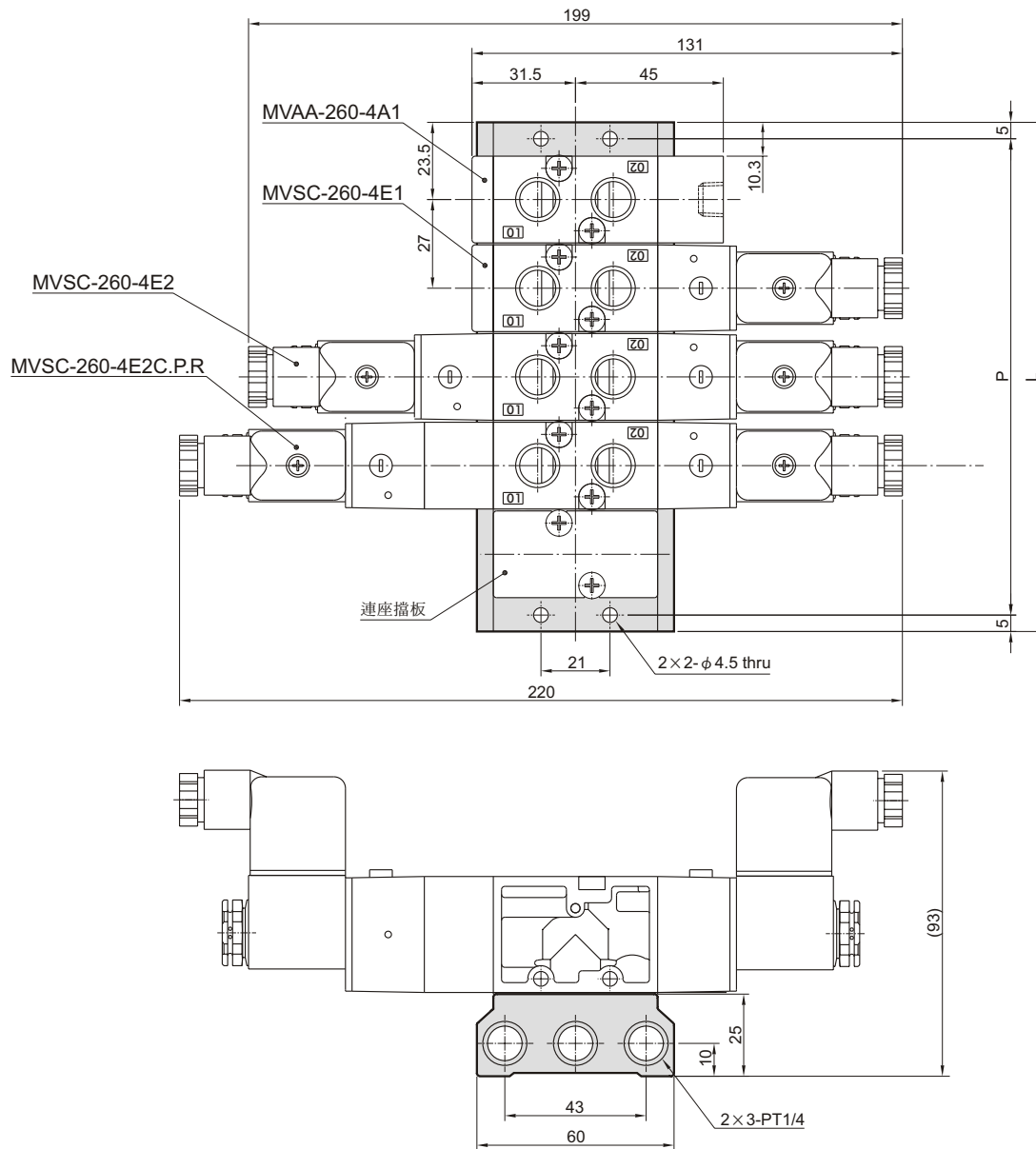


# MVSC-260

## SOLENOID VALVE



### Manifold of solenoid valve:



No. of stations	P	L
2	64	74
3	91	101
4	118	128
5	145	155
6	172	182
7	199	209
8	226	236
9	253	263
10	280	290