

# Protistor® size 22x58 aR

690VAC (IEC) / 700VAC (UL)

## SEMICONDUCTOR PROTECTION FUSES

### IEC HIGH-SPEED CYLINDRICAL FUSE-LINKS AC PROTECTION



These Protistor® size 22x58 have been designed to protect power semi conductors, complying with standard IEC 60269-4. They are extremely high interrupting rating fuses with large band of ratings (current rating 25 to 135A).

Two models are existing: with or without striker.

## TECHNICAL DATA OVERVIEW

Voltage AC	690 VAC
Rated Voltage	AC IEC: 690V AC UL: 700V DC UL: 500V
Ampere Range (A)	25 ... 135 A
Speed/Characteristic	aR
I.R. AC (IEC)	160 kA
I.R. AC (UL)	200 kA
I.R. DC (UL)	50 kA

## FEATURES & BENEFITS

- Low I<sup>2</sup>t for improved semiconductor protection
- Extremely fast acting
- Current limiting
- Excellent cycling capability
- UL recognized
- aR-class according to 60269-4

## APPLICATIONS

- Protection of small inverters
- Protection of UPS systems
- Protection of variable speed drives
- Protection of other similar 700V or less equipments

## STANDARDS

- IEC 60269-4
- UL recognized
- CSA
- RoHS compliant



# Protistor® size 22x58 aR

690VAC (IEC) / 700VAC (UL)

## PRODUCT RANGE

### Size 22x58 aR with striker

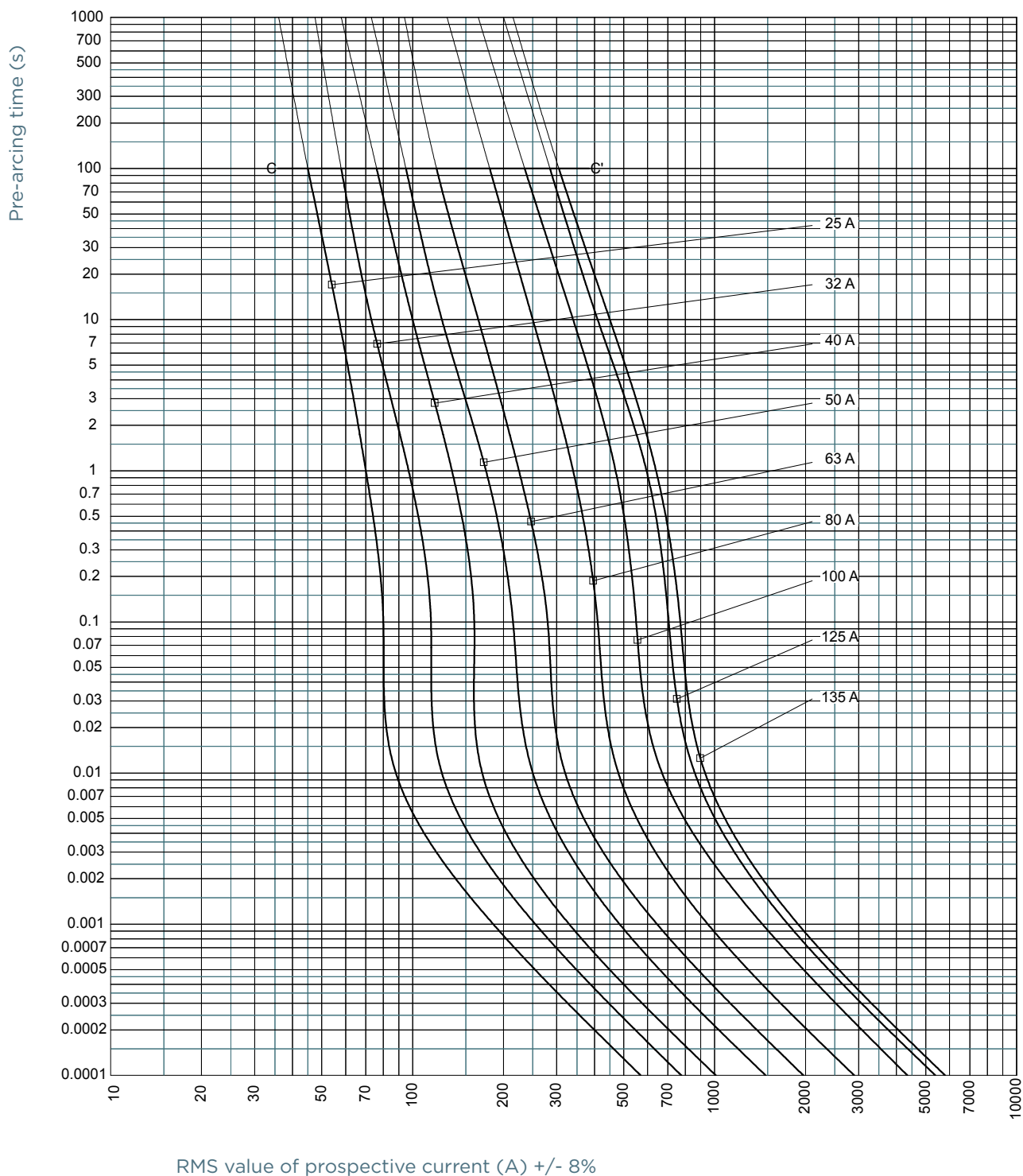
Catalog number	Item number	Rated voltage AC (IEC)	Rated current I <sub>n</sub>	Pre-arcing I <sup>2</sup> t	Clearing I <sup>2</sup> t at Rated Voltage	Rated breaking capacity AC	Power dissipation at I <sub>n</sub>	Package	Weight
FR22AR69V25T	B1056667	690 V	25 A	32.4 A <sup>2</sup> s	300 A <sup>2</sup> s	160 kA	8.5 W	10	57 g
FR22AR69V32T	C1056668	690 V	32 A	60.3 A <sup>2</sup> s	650 A <sup>2</sup> s	160 kA	10.5 W	10	57 g
FR22AR69V40T	D1056669	690 V	40 A	101.8 A <sup>2</sup> s	950 A <sup>2</sup> s	160 kA	12 W	10	57 g
FR22AR69V50T	E1056670	690 V	50 A	217.6 A <sup>2</sup> s	1850 A <sup>2</sup> s	160 kA	13.4 W	10	57 g
FR22AR69V63T	F1056671	690 V	63 A	386.8 A <sup>2</sup> s	3100 A <sup>2</sup> s	160 kA	15.5 W	10	57 g
FR22AR69V80T	G1056672	690 V	80 A	840.1 A <sup>2</sup> s	6800 A <sup>2</sup> s	160 kA	16 W	10	57 g
FR22AR69V100T	H1056673	690 V	100 A	1890 A <sup>2</sup> s	13000 A <sup>2</sup> s	160 kA	17.8 W	10	57 g
FR22AR69V125T	J1056674	690 V	125 A	2897 A <sup>2</sup> s	15500 A <sup>2</sup> s	160 kA	22.8 W	10	57 g
FR22AR69V135T	K1056675	690 V	135 A	3360 A <sup>2</sup> s	18500 A <sup>2</sup> s	160 kA	27 W	10	57 g

### Size 22x58 aR without striker

Catalog number	Item number	Rated voltage AC (IEC)	Rated current I <sub>n</sub>	Pre-arcing I <sup>2</sup> t	Clearing I <sup>2</sup> t at Rated Voltage	Rated breaking capacity AC	Power dissipation at I <sub>n</sub>	Package	Weight
FR22AR69V25	Y1027316	690 V	25 A	32.4 A <sup>2</sup> s	300 A <sup>2</sup> s	160 kA	8.5 W	10	57 g
FR22AR69V32	Z1027317	690 V	32 A	60.3 A <sup>2</sup> s	650 A <sup>2</sup> s	160 kA	10.5 W	10	57 g
FR22AR69V40	A1027318	690 V	40 A	101.8 A <sup>2</sup> s	950 A <sup>2</sup> s	160 kA	12 W	10	57 g
FR22AR69V50	B1027319	690 V	50 A	217.6 A <sup>2</sup> s	1850 A <sup>2</sup> s	160 kA	13.4 W	10	57 g
FR22AR69V63	C1027320	690 V	63 A	386.8 A <sup>2</sup> s	3100 A <sup>2</sup> s	160 kA	15.5 W	10	57 g
FR22AR69V80	D1027321	690 V	80 A	840.1 A <sup>2</sup> s	6800 A <sup>2</sup> s	160 kA	16 W	10	57 g
FR22AR69V100	E1027322	690 V	100 A	1890 A <sup>2</sup> s	13000 A <sup>2</sup> s	160 kA	17.8 W	10	57 g
FR22AR60V125	F1027323	690 V	125 A	2897 A <sup>2</sup> s	15500 A <sup>2</sup> s	160 A	22.8 W	10	57 g
FR22AR60V135	G1027324	690 V	135 A	3360 A <sup>2</sup> s	18500 A <sup>2</sup> s	160 kA	27 W	10	57 g

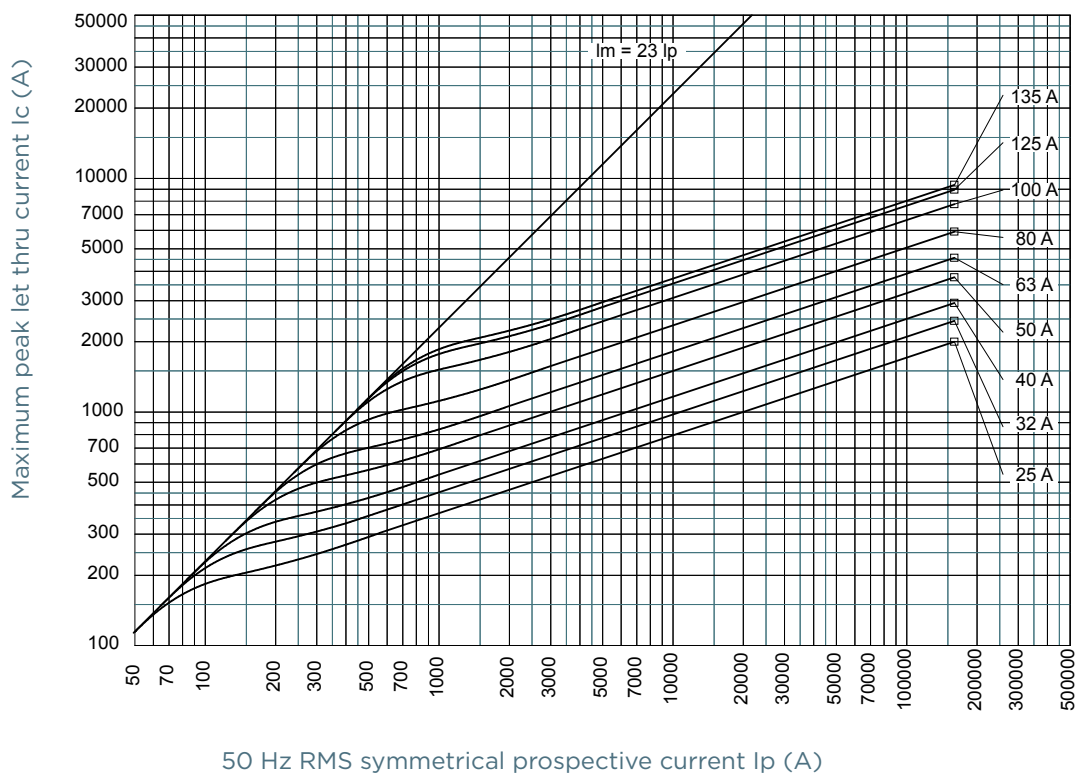
MERSEN reserves the right to change, update or correct, without notice, any information contained in this datasheet.

## TIME CURRENT CHARACTERISTIC CURVES

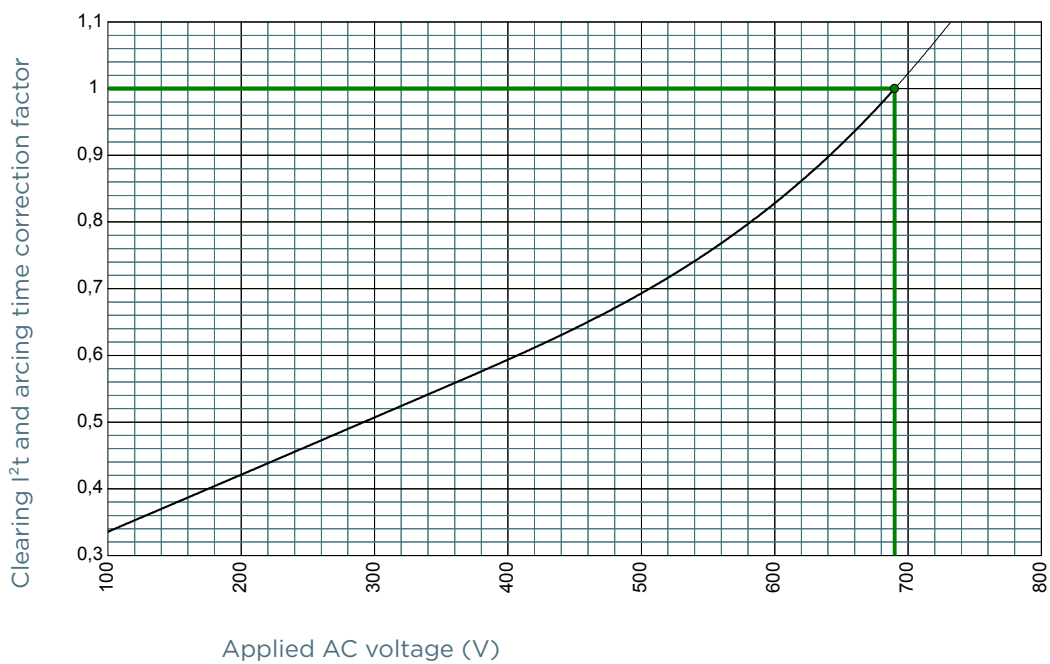


MERSEN reserves the right to change, update or correct, without notice, any information contained in this datasheet.

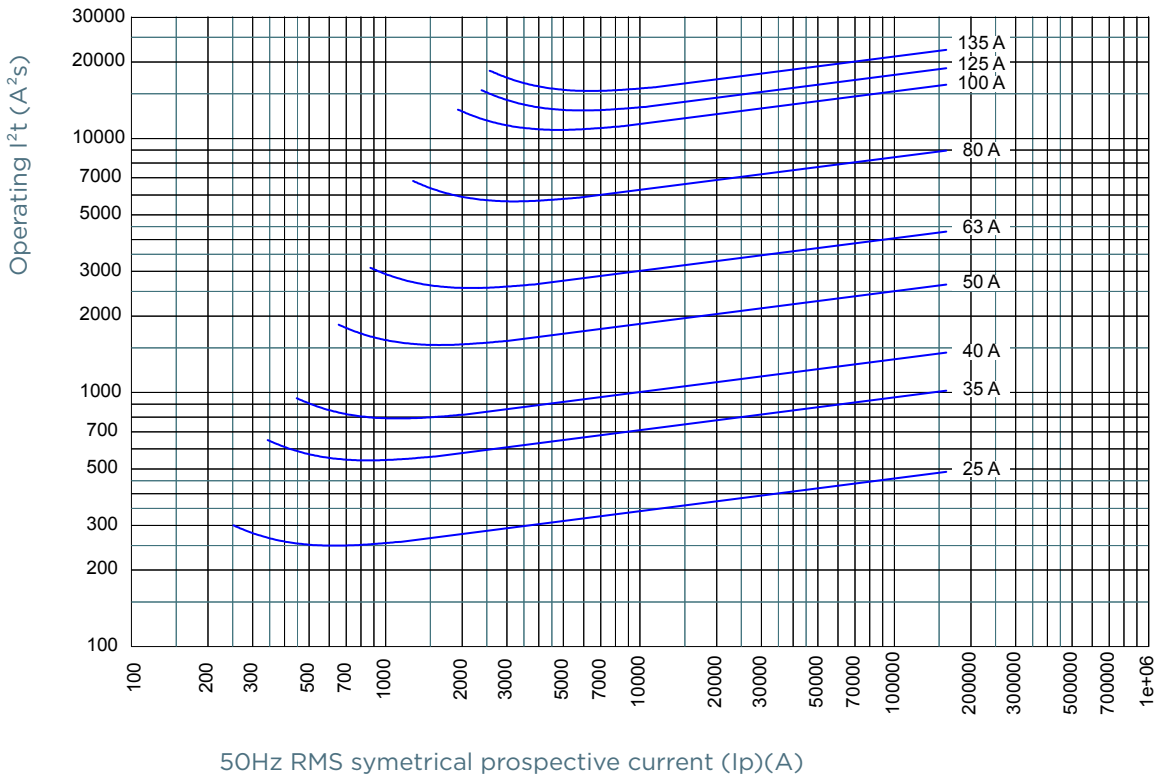
## CUT-OFF CURRENT CHARACTERISTIC



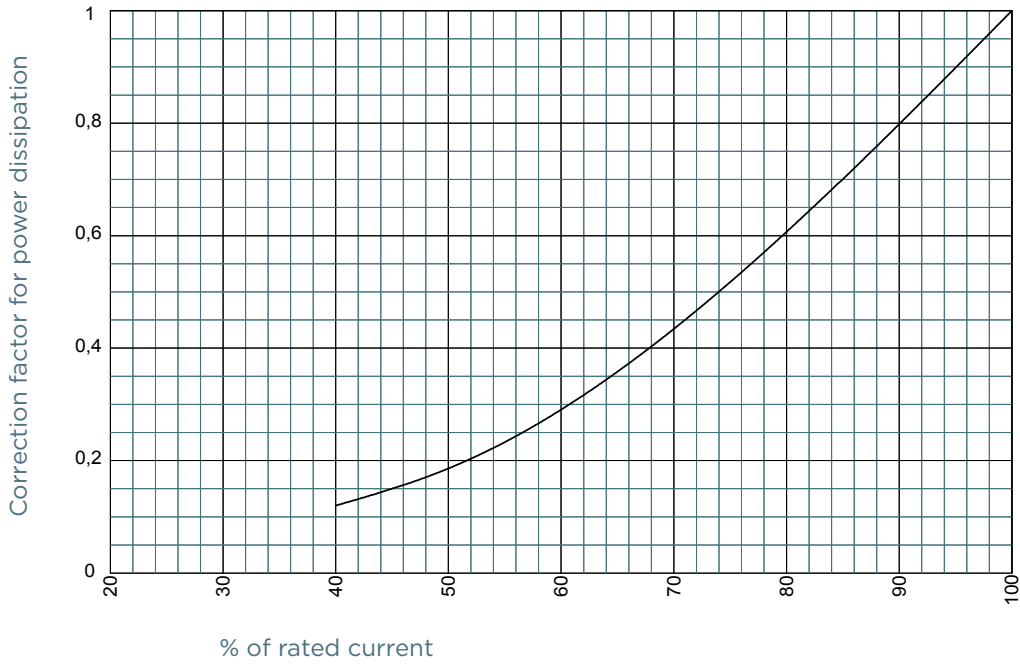
## I<sup>2</sup>T MULTIPLIER COEFFICIENT



CHARACTERISTICS TOTAL I<sup>2</sup>T CURVE



POWER DISSIPATION

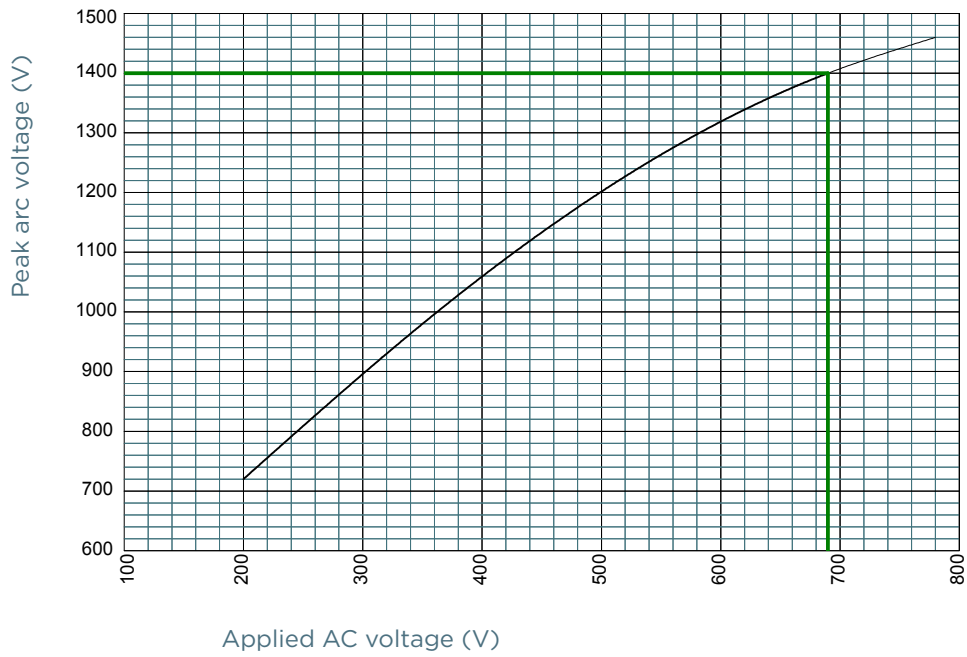


MERSEN reserves the right to change, update or correct, without notice, any information contained in this datasheet.

# Protistor® size 22x58 aR

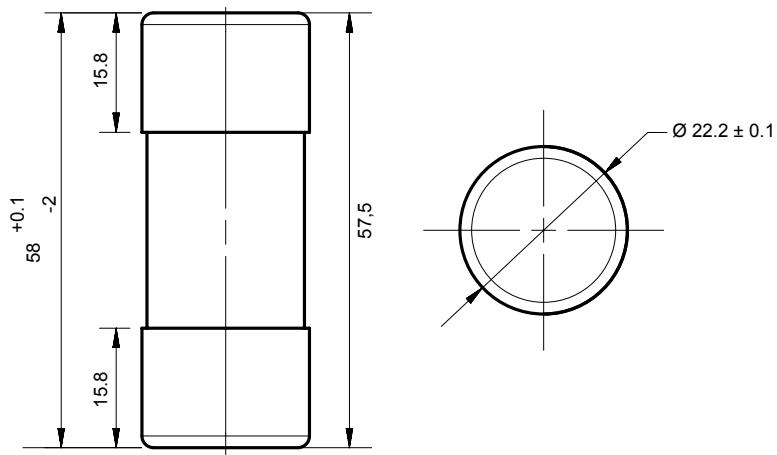
690VAC (IEC) / 700VAC (UL)

## PEAK ARC VOLTAGE



## DIMENSIONS

### Size 22x58 aR without striker



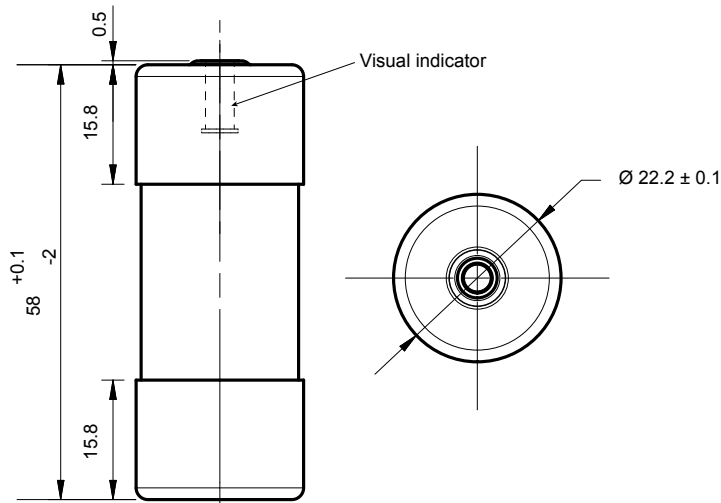
Dimensions in mm

# Protistor® size 22x58 aR

690VAC (IEC) / 700VAC (UL)

## DIMENSIONS

### Size 22x58 aR with striker



Dimensions in mm