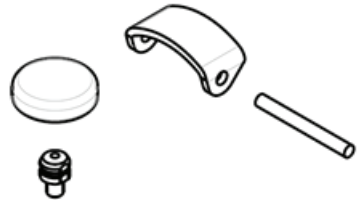


KIT INLET BUTTON

Model **Part number**
Kit inlet button 6153992660



Where-used list

DR300-T550
 DR300-T550-C10
 DR300-T1000
 DR300-T1000-C10
 DR300-T2000
 DR300-T2000-C8
 DR300-T3000
 DR300-T3000-C8
 DR300-T4500
 DR300-T4500-C8
 DR300-T5500
 DR300-T5500-C8
 DR300-T20000
 DR300-T20000-C8
 DR300-T550-QR
 DR300-T1000-QR
 DR300-T2000-QR
 DR300-T3000-QR
 DR300-T4500-QR
 DR300-T5500-QR
 DR300-T1000-T5-30
 DR300-T2000-T5-30
 DR300-T3000-T5-30
 DR300-T3000-S5-30
 DR300-T4500-T5-30
 DR300-T5500-T5-30
 DR300-T1000-T5-90
 DR300-T2000-T5-90
 DR300-T3000-T5-90
 DR300-T3000-S5-90
 DR300-T4500-T5-90
 DR300-T5500-T5-90
 DR300-T1000-T5-360
 DR300-T2000-T5-360
 DR300-T3000-T5-360
 DR300-T3000-S5-360

Part number

6151760520
 6151760530
 6151760540
 6151760550
 6151760560
 6151760570
 6151760580
 6151760590
 6151760600
 6151760610
 6151760620
 6151760630
 6151760640
 6151760650
 6151760660
 6151760670
 6151760680
 6151760690
 6151760700
 6151760710
 6151760720
 6151760730
 6151760740
 6151760750
 6151760760
 6151760770
 6151760780
 6151760790
 6151760800
 6151760810
 6151760820
 6151760830
 6151760840
 6151760850
 6151760860
 6151760870

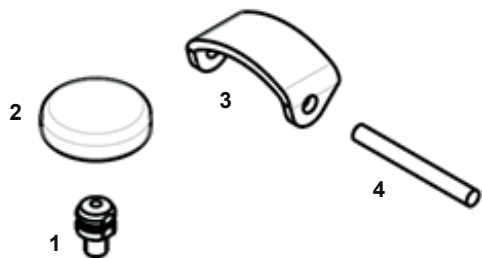
Where-used list

DR300-T4500-T5-360
 DR300-T5500-T5-360
 DR300-T550-T5-45
 DR300-T1000-T5-45
 DR300-T2000-T5-45
 DR300-T3000-T5-45
 DR300-T3000-S5-45
 DR300-T4500-T5-45
 DR300-T5500-T5-45
 DR300-T550-T6-90
 DR300-T1000-T6-90
 DR300-T2000-T6-90
 DR300-T3000-T6-90
 DR300-T3000-S6-90
 DR300-T4500-T6-90
 DR300-T5500-T6-90
 DR300-T550-T6-360
 DR300-T1000-T6-360
 DR300-T2000-T6-360
 DR300-T3000-T6-360
 DR300-T3000-S6-360
 DR300-T4500-T6-360
 DR300-T5500-T6-360
 KA3.135-7
 KA3.36-7
 KA3.21-7
 KA3.36A
 D144-T-3100
 DR300-T2000-THD-90
 DR300-T900-THD-90
 DR300-T600-THD-90
 DR300-T2000-SHD-90
 DR300-T900-SHD-90
 DR300-T600-SHD-90
 C27-LX-1450
 OSCILLATING SAW_D170-L

Part number

6151760880
 6151760890
 6151760900
 6151760910
 6151760920
 6151760930
 6151760940
 6151760950
 6151760960
 6151760970
 6151760980
 6151760990
 6151761000
 6151761010
 6151761020
 6151761030
 6151761040
 6151761050
 6151761060
 6151761070
 6151761080
 6151761090
 6151761100
 6151705220
 6151705230
 6151705240
 6151705250
 6151705260
 6151761110
 6151761120
 6151761160
 6151761130
 6151761140
 6151761170
 6151761150
 6151705270

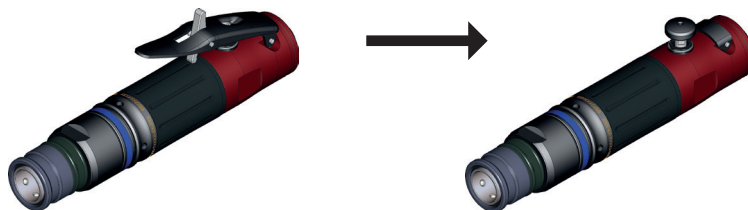
DESCRIPTION



Item	Part designation	Quantity
1	Push button adaptor	1
2	Black button	1
3	Push button U cover	1
4	Needle	1

ASSEMBLY INSTRUCTIONS

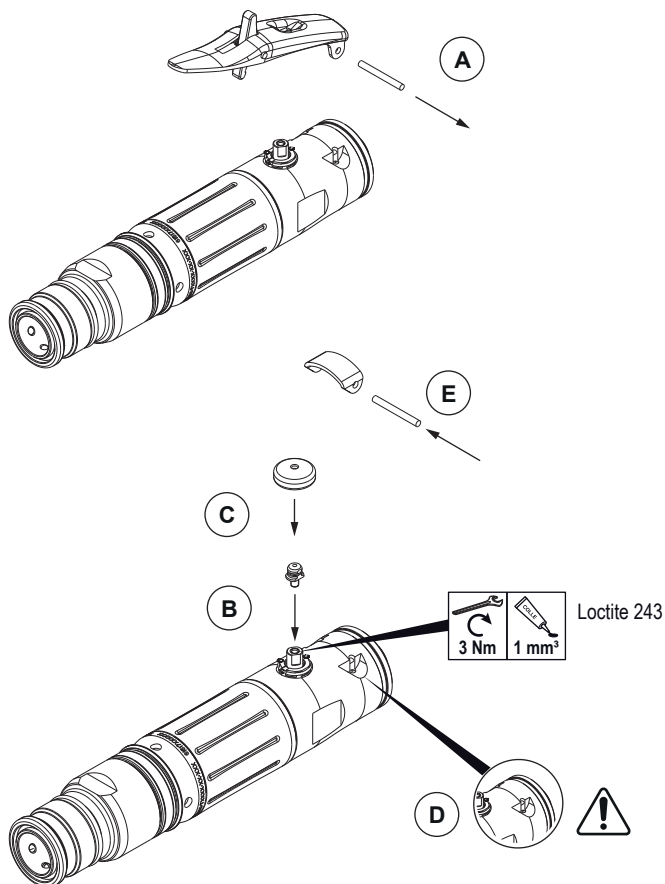
A Objective: replacement of the lever button by a push-button





Find more information and your Desoutter contacts on:

www.desouttertools.com

B Instructions



A	<ul style="list-style-type: none"> Disassemble the lever by removing the needle.
B	<ul style="list-style-type: none"> Tighten the push button adaptor on the valve by following the above instructions.
C	<ul style="list-style-type: none"> Manually press the black button on the push button adaptor.
D	<ul style="list-style-type: none"> Check that the 2 needles used to maintain the inlet are still in position.
E	 <ul style="list-style-type: none"> Assemble the Push button U cover by using the needle included in the kit. This is mandatory in order to lock the two needles used to maintain the inlet.
	<ul style="list-style-type: none"> Re-connect the air pressure and check that the tool is working properly.

More Than Productivity