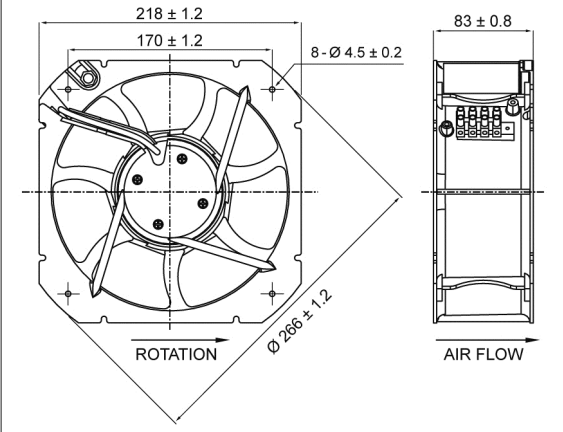
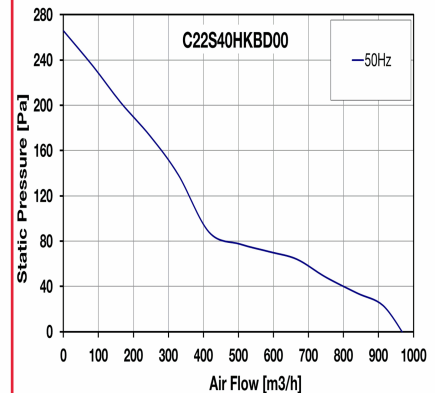
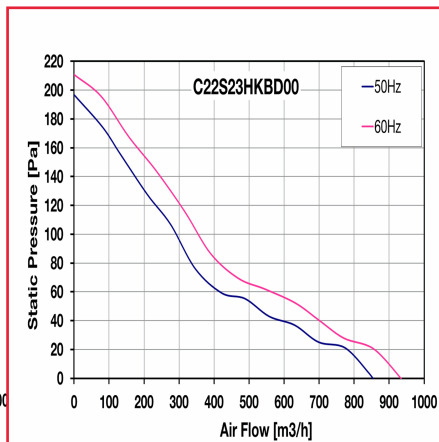
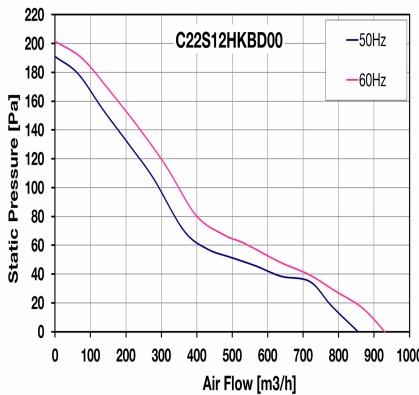


**"C22SD" SERIES FANS**

Description: **Axial fan a.c. 218X218X83mm**



- Fan material:** casing of aluminium alloy die casting and fibre reinforced plastic (PA 6/6) impeller
- Casing material:** aluminium UNI5076
- Fixing system:** No 4 holes Ø4.5
- Motor protection:** thermally
- Rated temperature range:** from -20°C to +70°C
- Motor Lifetime L10 at 25°C (approx.):** 63,000 h
- Insulation class:** F
- Capacitor:** run external rotor fan for 115/230 V a.c. model
- Working class of capacitor:** class B for 115V model  
class A for 230V model
- Electrical connection:** by terminal block L-N-PE for 115/230V a.c. model and L1-L2-L3-PE for 400V a.c. model
- Weight:** 1,9 kg



Model	Bearing	Voltage	Frequency	Rated Current	Rated Power	Max Air Flow**	Static Pressure	Noise	RPM	Approvals
		(V)	(Hz)	(A)	(W)	(m3/h)	(Pa)	[db(A)]	(rpm)	
C22S12HKBD00	Ball	115 V a.c.	50/60	0.79/0.83	79/96	855/930	190/201	64.6/67.4	2,490/2,760	CE
C22S23HKBD00	Ball	230 V a.c.	50/60	0.343/0.411	78/94	855/930	197/211	65.0/68.0	2,490/2,750	CE
C22S40HKBD00	Ball	400 V a.c.	50	0.280	174	970	265	61.0	2,770	CE

data with uncertainty of 15%

All specifications, data and drawing are subject to change without notice and are approximate. Please refer to our terms of sales including our warranty and limited liabilities clauses.