

2/2-Way Direct Operated Valve

General application valves for dry or lubricated air, neutral gases and liquids



Description:

- 2/2-Way Direct Operated Valve - Normally Closed.
- Coil IP65 for 2 P + E plug according to DIN 43650 type A
- Power Consumption 8W (AC), 9W (DC).

Applications:

- Shut-off and control (On-Off) of water, air, light oils, steam and inert gases
- Humidifiers, welding systems, industrial washing machines, automatic dispensers, diesel oil burners, sterilizers, compressors.

Temperature Range:

- Min: -10°C | Max: see table

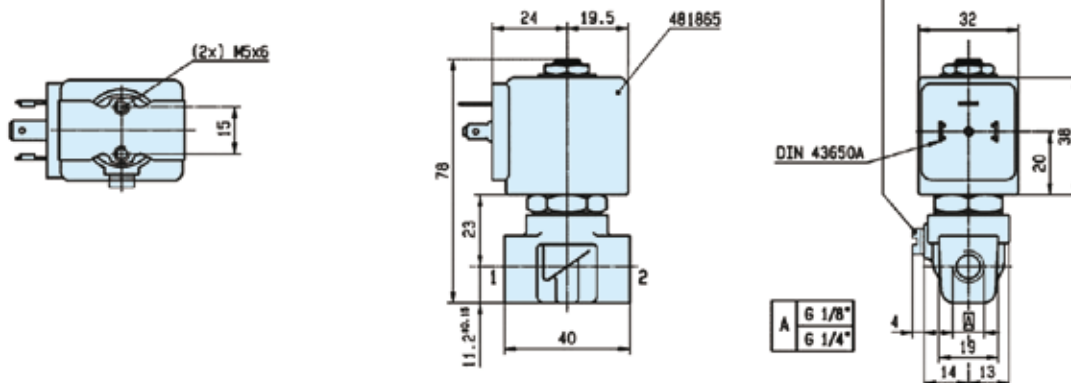
Seals Material:

- See table

Advantages:

- Versatile product for many 2/2 NC valve requiring applications, robust design.

Port size	Orifice	K _v	Admissible differential pressure (bar)			Fluid Temp.	Seal Material	Reference number			Options
			Min.	Max. DC	Max. AC			Valve	Housing	Coil	
G	mm	l/min				°C					
2/2-Way Direct Operated Valve											Normally CLOSED
1/8"	2.5	3.50	0	10.0	28.0	100°C	Ruby	E121K23	2995	481865	-
1/8"	3.0	4.50	0	7.0	10.0	100°C	FKM	121K1302	2995	481865	-
1/4"	1.2	0.85	0	36.0	80.0	100°C	Ruby	E121K65	2995	481865	-
1/4"	1.5	1.50	0	25.0	60.0	75°C	PCTFE	E121K04	2995	481865	-
1/4"	1.5	1.50	0	25.0	60.0	100°C	Ruby	E121K67	2995	481865	-
1/4"	1.5	1.50	0	20.0	20.0	100°C	FKM	E121K0402	2995	481865	-
1/4"	2.5	3.50	0	10.0	28.0	75°C	PCTFE	E121K07	2995	481865	-
1/4"	2.5	3.50	0	7.0	14.0	100°C	FKM	121K0706	2995	481865	-
1/4"	2.5	3.50	0	10.0	28.0	100°C	Ruby	E121K63	2995	481865	-
1/4"	3.0	4.50	0	7.0	20.0	75°C	PCTFE	E121K03	2995	481865	-
1/4"	3.0	4.50	0	7.0	10.0	100°C	FKM	E121K0302	2995	481865	-
1/4"	3.0	4.50	0	7.0	10.0	100°C	EPDM	121K0323	2995	481865	-
1/4"	3.0	4.50	0	7.0	10.0	100°C	FKM	E121K0352	2995	481865	**
1/4"	3.0	4.50	0	7.0	20.0	100°C	Ruby	E121K64	2995	481865	-
1/4"	4.0	7.50	0	4.0	10.0	100°C	FKM	121K02	2995	481865	-
1/4"	4.0	7.50	0	4.0	10.0	100°C	FKM	121K0250	2995	481865	**
1/4"	5.0	11.00	0	2.0	7.0	100°C	FKM	121K01	2995	481865	-
1/4"	5.0	11.00	0	2.0	7.0	100°C	EPDM	121K0103	2995	481865	-
1/4"	5.0	11.00	0	2.0	7.0	100°C	FKM	121K0150	2995	481865	**
1/4"	5.0	11.00	0	2.0	7.0	100°C	FKM	121K3106	2995	481865	-
3/8"	4.0	7.50	0	4.0	10.0	100°C	FKM	121K3206	2995	481865	-
3/8"	6.0	12.00	0	1.1	5.0	100°C	FKM	121K3303	2995	481865	-
3/8"	6.0	12.00	0	1.1	5.0	100°C	FKM	121K3306	2995	481865	-
1/2"	8.5	25.00	0	0.5	1.1	100°C	FKM	E121K46	2995	481865	-
1/2"	11.0	36.00	0	0.3	0.7	100°C	FKM	E121K45	2995	481865	-



** Manual override standard

2/2 & 3/2 Solenoid Valves for High Pressure pneumatic applications - 40 bar

Product offering:

- 2/2 valves and 3/2 way valves - pilot operated
- Pipe mounting (G 1/2- 3/4) or sub-base mounting
- 1.5 (2) - 40 bar
- Normally open or closed
- Internal or external pilot pressure supply

Customer Value Proposition:

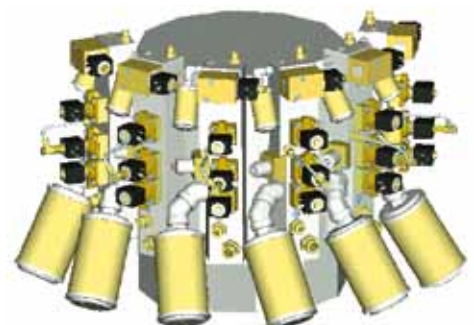
- Safety of operation
- Reliability
- Response time stability
- Repeatability
- No leakage
- Integrated non return valve (421version)

The use of high pressure gases became a necessity in the new technologies developed during the last years.

The control of these fluids can be done through the solenoid valves specially designed by Parker Lucifer for high pressure applications (maximum 50 bar).

The **life expectancy of several millions** of cycles, with **response time of few milliseconds**, allows the use of these valves on intensive applications and on high technology machines, as the plastic bottle blowing machines, or the laser cutting machines.

Parker Lucifer also develops special valves or adapted blocks upon specific customers needs. Please contact your agent for more information.



Application Example

Main Technical Specifications

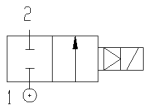
Function

2/2 pilot operated: Normally closed (with internal pilot pressure) 321H/F type
 Normally closed (with external pilot pressure) 421H/F type
 Normally open (with internal pilot pressure) 322H/F type

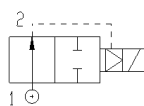
3/2 pilot operated: normally closed (with internal pressure) 331B type

ISO diagram

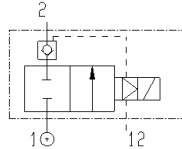
321H/F



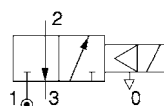
322H/F



421H/F



331B



Mounting

- For direct pipe mounting G 1/2" or 3/4" (2/2 Valve type H); G 1/4 (3/2 Valve type B)
- For sub-base mounting (type F)

Nominal diameter

15 mm (type H), 14 mm (type F)

Pressures

For the version with external pilot pressure, the pilot pressure must always be higher than the controlled pressure

External Leakage

0 Ncc/min.

Internal Leakage

< 20 Ncc/min.

Fluids

Dry lubricated or non lubricated air, Argon, Nitrogen.
 Oxygen on request

Proof pressure

200 bar

Filtration

< 1 µm

Life expectancy

> 2 10⁶ cycles (dry and clean air)
 > 8 10⁶ cycles (lubricated air)

Temperatures

Ambient / fluid mini: -10 °C
 Ambient / fluid maxi: +50 °C

Materials specifications

Body/cover: 2/2 Valves: Brass - 3/2 Valves: Aluminium
 Pilot seals : PUR
 Main seals : FKM (Viton®) with isolating diaphragm from PUR
 Tube and plunger : Stainless steel
 Coil : Encapsulation from PA66 + 30% fiber glass

Options

Δp maxi 50 bar on request

Response Time

Depends on application

Mounting Position

Indifferent

Specials

Parker Lucifer also develops special valves or adapted blocks upon specific customers needs.
 Please contact your agent for more information.

Port size	Orifice	Flow Factor (l/min)	Admissible differential pressure (bar)			Fluid Temp.	Seal Material (C°)	Global Ref. No.	Reference number			Dim. Ref. N°
			Min.	Max. DC	Max. AC				Valve	Housing	Coil	
G	mm	Gaz Qn				Gaz Max.						
2/2 Valves - Direct Pipe Mounting											Normally CLOSED	
1/2"	15	3150	1.5	40	40	50	FKM	-	321H35	2995	see table	1
3/4"	15	3550	1.5	40	40	50	FKM	-	321H36	2995	see table	1
2/2 Valves - Direct Pipe Mounting											Normally OPEN	
1/2"	15	3150	1.5	40	40	50	FKM	-	322H35	2995	see table	2
3/4"	15	3550	1.5	40	40	50	FKM	-	322H36	2995	see table	2
2/2 Valves - Direct Pipe Mounting											External Pilot	Normally CLOSED
1/2"	15	3150	2	40	40	50	FKM	-	421H35	2995	see table	3
3/4"	15	3550	2	40	40	50	FKM	-	421H36	2995	see table	3
2/2 Valves - Sub-base Mounting											Normally CLOSED	
-	14	2100	1.5	40	40	50	FKM	-	321F35	2995	see table	4
-	22	7000	5	40	40	50	FKM	-	321F37	2995	see table	-
2/2 Valves - Sub-base Mounting											Normally OPEN	
-	14	2100	1.5	40	40	50	FKM	-	322F35	2995	see table	5
-	22	7000	1.5	40	40	50	FKM	-	322F37	2995	see table	-
2/2 Valves - Sub-base Mounting											External Pilot	Normally CLOSED
-	14	2100	2	40	40	50	FKM	-	421F35	2995	see table	6
3/2 Valves - Direct Pipe Mounting											Normally CLOSED	
1/4"	8	750	1	40	40	50	PUR	-	331B31	2995	see table	7
3/2 Valves - Sub-base Mounting											Normally CLOSED	
-	8	750	1	40	40	50	PUR	-	331F31	2995	see table	-

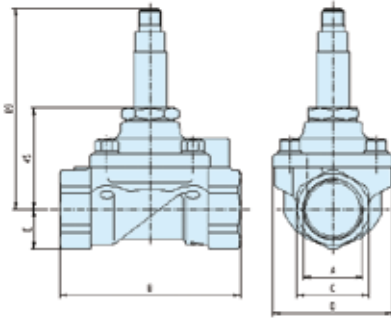
Available electrical parts:

You will find standard available coil details on the next pages. Due to the innovative sleeve design it is also possible to use all listed Parker valves with special solutions, like water tight (IP67) or explosion proof designs.

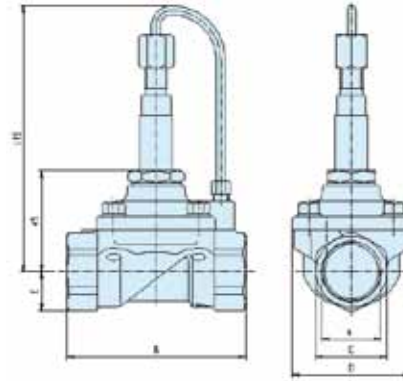
Please consult your local agent for more details.

Dimensions

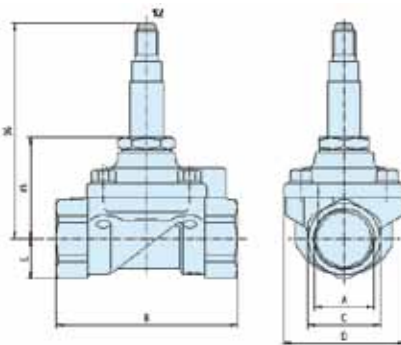
Dimensions Reference N° 1



Dimensions Reference N° 2

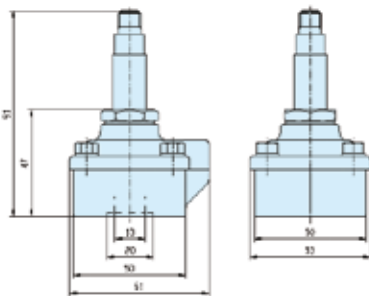


Dimensions Reference N° 3

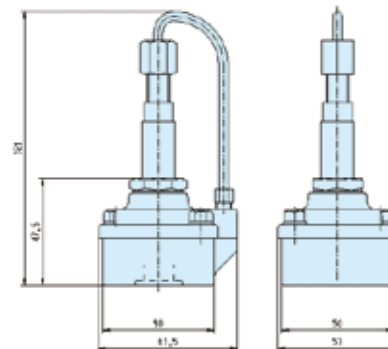


A	B	C	D	E
G3/4"	80	32	53	17.5
G1/2"	75	27	53	13.5

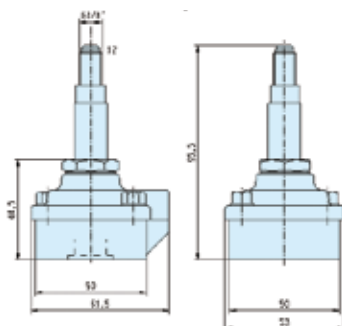
Dimensions Reference N° 4



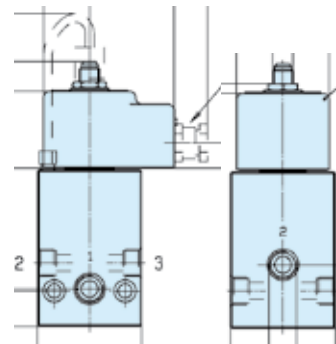
Dimensions Reference N° 5



Dimensions Reference N° 6



Dimensions Reference N° 7



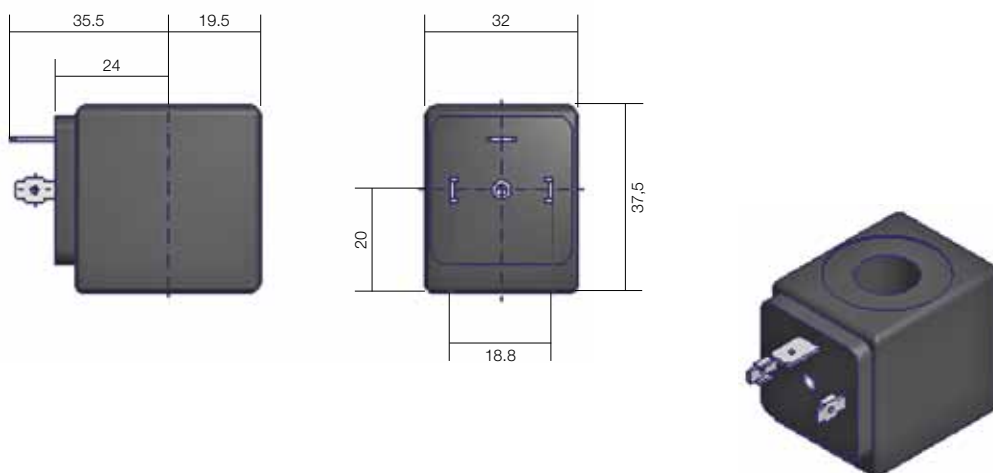
Electrical Parts Availability

32 mm Electrical Parts Availability

481865 Series - Standard Coil Mono-Frequency, F Class, IP65

Encapsulated in synthetic material, connector for 2P+E DIN 43650 A Plug, IP65 insulation class to be considered with connector plug only. This coil conforms to the IEC/CENELEC safety standards and complies with European low-voltage directive 73/23/EC.

Voltage V	Power Consumption	Reference	Approvals	Ambient Temperature	Class of insulation	Dimensional Drawing
24/50	8 W	481865A2	-	-40°C to +50°C	F Class 155°C	8
48/50	8 W	481865A4	-	-40°C to +50°C	F Class 155°C	8
110/50	8 W	481865A5	-	-40°C to +50°C	F Class 155°C	8
220-230/50	8 W	4818653D	-	-40°C to +50°C	F Class 155°C	8
380/50	8 W	481865A9	-	-40°C to +50°C	F Class 155°C	8
24/60	8 W	481865B2	-	-40°C to +50°C	F Class 155°C	8
230/60	8 W	481865J3	-	-40°C to +50°C	F Class 155°C	8
115/60	8 W	481865K8	-	-40°C to +50°C	F Class 155°C	8
12 DC	9 W	481865C1	-	-40°C to +50°C	F Class 155°C	8
24 DC	9 W	481865C2	-	-40°C to +50°C	F Class 155°C	8
48 DC	9 W	481865C4	-	-40°C to +50°C	F Class 155°C	8
110V DC	9 W	481865C5	-	-40°C to +50°C	F Class 155°C	8



All dimensions are in mm

Dimensional Drawing N° 8

32 mm Electrical Parts Availability

483510 Series - Standard Bi-Frequency Coil, F Class, IP65

Encapsulated in synthetic material, connector for 2P+E DIN 43650 A Plug, IP65 insulation class to be considered with connector plug only.

This coil conforms to the IEC/CENELEC safety standards and complies with European low-voltage directive 73/23/EC.

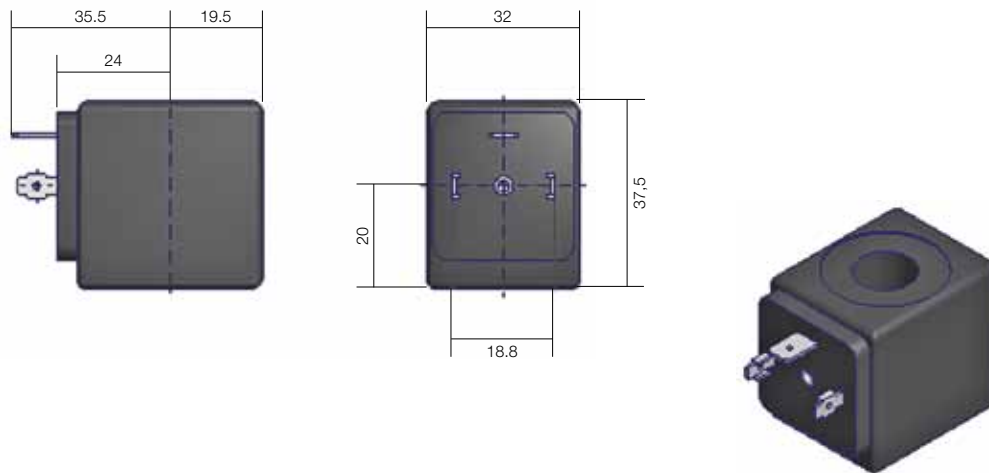
Voltage V	Power Consumption	Reference	Approvals	Ambient Temperature	Class of insulation	Dimensional Drawing
12/50-60	9 W	4835101W	-	-40°C to +50°C	F Class 155°C	8
24/50-60	9 W	483510P0	-	-40°C to +50°C	F Class 155°C	8
48/50-60	9 W	483510S4	-	-40°C to +50°C	F Class 155°C	8
110-115/50 120/60	9 W	483510S5	-	-40°C to +50°C	F Class 155°C	8
220-240/50 240/60	9 W	483510S6	-	-40°C to +50°C	F Class 155°C	8

Voltage

Tolerances: -10% to +10% of the nominal voltage (AC), -5% to +10% of the nominal voltage (DC)

Duty Continuous duty coil (100%ED)

Weight: 130 g (without plug)



All dimensions are in mm

Dimensional Drawing N° 8

Technical Data

Function:	2/2 solenoid valve closed when de-energized.		
Design:	Pilot operated poppet valve with magnalift.		
Mounting:	For direct pipe mounting or with the help of M5x6 mm screw (see dimensions).		
Mounting position:	Indifferent.		
Material specifications:	Forged brass body. Internal parts in stainless steel. Sealing material in PUR.		
Range of admissible pressure drop:	Δp min.	= 0 bar	
	Δp max.	= 7 bar	
Response time (see p. 2):	Conditions: voltage 24 VDC nominal, flow 34 Nm ³ /h. Reference pressure dynamic (orifice 2): 4.5 bar. Response times are increasing above starting from 300 millions cycles.		
Switching on:	TE on: 9.5 - 12 ms Electrical response time until the plunger is in fully attracted position. T on: 10-14 ms Filling time until the pressure has reached 50% of output pressure P2 (own volume of the valve, outlet port plugged.)		
Switching off:	TD off: 4 - 8 ms Closing time until the plunger is in the rest position. T off: 5,5 - 9,5 ms Emptying time until the pressure has dropped to 50% of P2 pressure. This response time is depending on user at the outlet port.		
Cycling rate:	Up to 30 Hz.		
Life expectancy:	> 500 millions cycles Conditions: Instrumentation dried and filtered air at 20 μ m, (dew point +2°C). P max. 5 bar nominal voltage 24 VDC vibrations 5 to 500 Hz.		
Media:	Instrumentation air (dried and unlubricated) filtered at 20 μ m.		
Fluid temperature:	Min. 0°C. Max. + 40°C.		
Ambient temperature:	0°C to +50°C.		
Vibrations:	Up to 1500 Hz, max. shocks 10 g. At max. vibration rating, life expectancy will decrease.		
Electrical part:	32 mm coil 483816 (14W DC) encapsulated in synthetic material. Connection with 3 pin DIN 43650 type A plug connector, degree of protection IP 65.		
Solenoid duty:	Relative duty time: 80% max. for cycle 30 Hz (33ms). 70% max. for cycle 20 Hz (50ms). 55% max. for cycle 10 Hz (100ms). 25% max. for cycle 1 hour (this valve can not work at ED 100%). $x \% = \frac{\text{Energized time}}{\text{Cycle time}} \div 100$		
Housing:	3 possibilities 2994/2995/299560.		
Voltage:	24 V DC.		
Voltage tolerance:	±10%.		
Class of insulation material:	Class F (155 °C).		
Part kit:	Nothing available		
Port Size:	G3/8		
Orifice:	8 mm		
Qmax:	40 Nm ³ / h		
Admissible differential pressure:	0 bar min. 7 bar max.		
Maximum admissible fluid temperature:	40 °C		
References N°:	Valve	221 J 3311	
	Housing	2994	2995 299560
	Coil	483816	
Power consumption:	14 W		
Weight:	360 g		

2 Way Solenoid Valves High Flow

Fast Switching

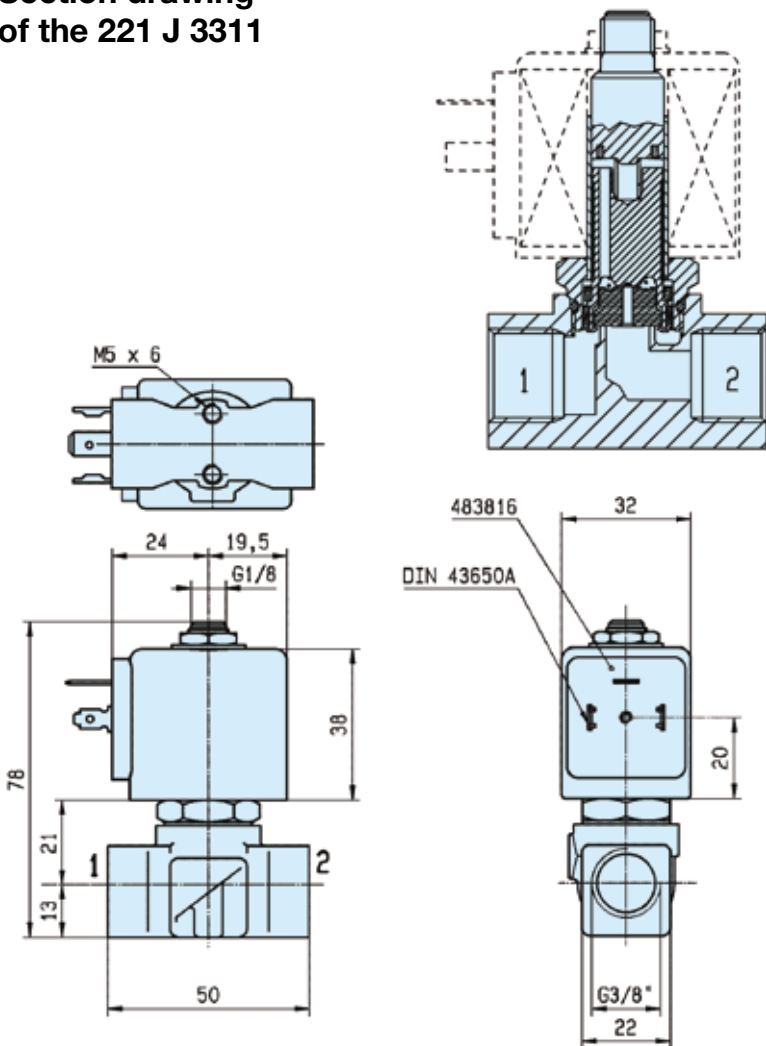
2/2 magnalift solenoid valve used for air control or air pulsing in all applications where extremely short response time and/or long life expectancy are required.

Flow rate up to 40 Nm³/h (subsonic flow only) like: textile weaving looms, printing machines, sorting machines, bank note counting machines.

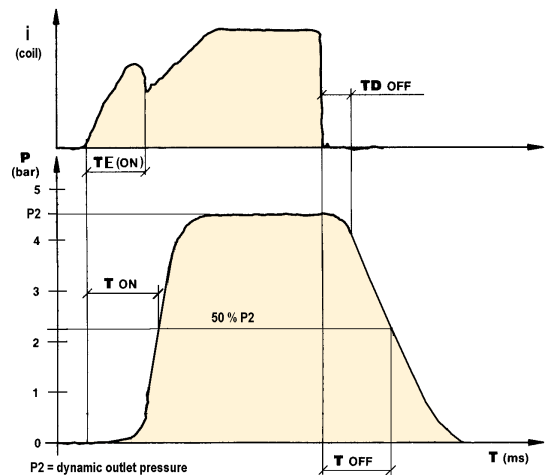
Features

- 2P+E DIN 43650A plug connection
- Degree of protection IP65
- Guide rings assure high life expectancy
- High performance plunger with low residual magnetic effect and long life
- Shock absorber improves life expectancy of the valve
- PUR seat disc provides magnalift effect

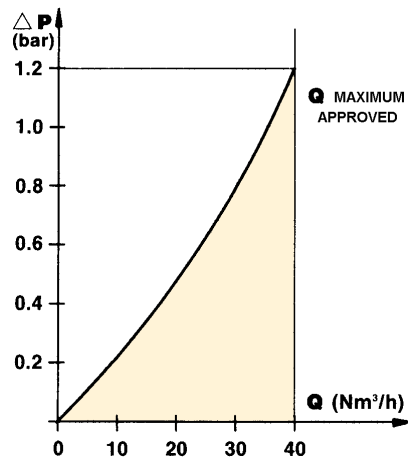
Section drawing of the 221 J 3311



Typical reponse times
At 20 Hz (40% on)



Flow rate (valve on 100%)



3-Way Solenoid Valve - Direct Acting

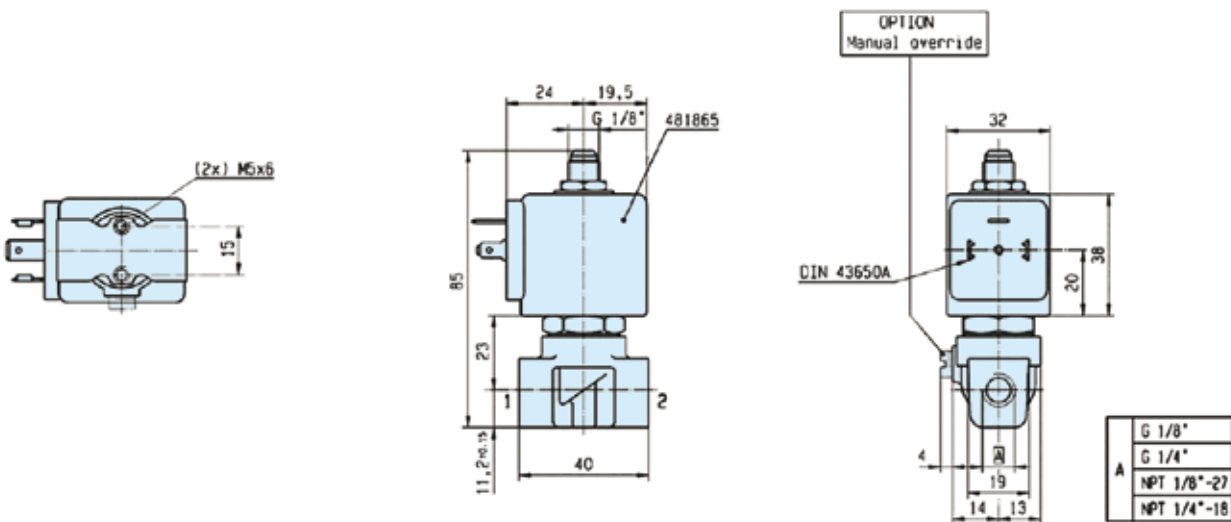
General application valves for dry or lubricated air, neutral gases and liquids



- Description:**
- 3-Way Solenoid Valve - Direct Acting - Normally Closed.
 - Coil IP65 for 2 P + E plug according to DIN 43650 type A.
 - Power Consumption 8W (AC), 9W (DC).
- Applications:**
- This series is used in applications which require actuation and automatic discharge of moving systems.
 - Typical applications can be found in: sterilizers, Cylinder actuation, air compressors, Diesel oil burners, pilot valves, water treatment installations.
- Temperature Range:**
- Min: -10°C | Max: see table
- Seals Material:**
- FKM, PCTFE
- Advantages:**
- Versatile product for many 2/2 NC v alve requiring applications, robust design.

Port size	Orifice	K _v	Admissible differential pressure (bar)		Fluid Temp.	Seal Material	Reference number			Options
			Min.	Max.			Valve	Housing	Coil	
G	mm	l/min			°C					
3-Way Solenoid Valve - Direct Acting - Normally Closed										Normally CLOSED
1/8"	1.5	1.5	0	15	100°C	FKM	E131K14	2995	481865	-
1/8"	2.0	2.5 (3.5)*	0	10	100°C	FKM	131K16	2995	481865	-
1/8"	2.0	2.5 (3.5)*	0	10	100°C	FKM	131K1650	2995	481865	**
1/8"	2.5	3.5	0	7	100°C	FKM	E131K13	2995	481865	-
1/4"	0.8	0.3	0	40	75°C	PCTFE	131K05	2995	481865	-
1/4"	1.5	1.5	0	15	100°C	FKM	E131K04	2995	481865	-
1/4"	1.5	1.5	0	15	100°C	FKM	E131K0450	2995	481865	**
1/4"	2.0	2.5 (3.5)*	0	10	100°C	FKM	E131K06	2995	481865	-
1/4"	2.0	2.5 (3.5)*	0	10	100°C	FKM	E131K0650	2995	481865	**
1/4"	2.5	3.5	0	7	100°C	FKM	E131K03	2995	481865	-
1/4"	2.5	3.5	0	7	100°C	FKM	E131K0350	2995	481865	**

* Kv for Exhaust side
 ** Manual override standard



Please consult the "How to Order" part at the end of each coil chapter.

Valves for Pneumatic Actuator Control

NAMUR Interfaces 1/4" & 1/2"

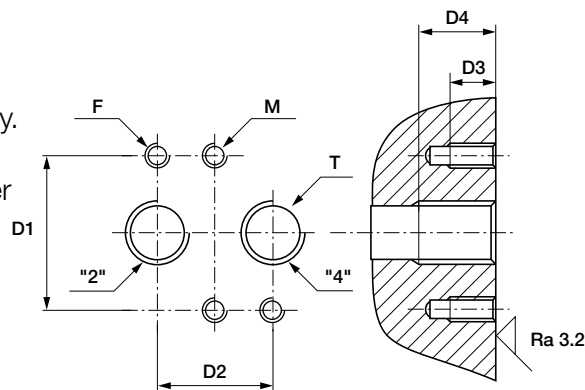
NAMUR + piped versions in safe or dangerous areas.

The interface design conforms to the NAMUR standard and to the VDI/VDE 3845 recommendations of the actuator industry. It allows a compact design of the actuator/valve unit.

In case of a 3/2 function, the air of the actuator spring chamber also flows through the pilot valve (re-breather function).

This prevents corrosion of the actuator springs.

F	T	D1 mm	D2 mm	D3 mm	D4 min. mm	M
M5	1/4	32	24	8	12	M5
M6	1/2	45	40	10	16	M6



F: 2 mounting holes - T: 2 actuators control port - M: 2 holes for dowel pins

- High flow: 1.250 l/min (1/4"), 3.000 l/min (1/2")
- Compact design
- Long life expectancy
- N3x & P3x Series compatible with any Parker Lucifer coil (ATEX or not) of electrical group 2 (8/9 W coils)

- Fail safe standard
- Reduced inventory (3/2 & 5/2 functions with the same valve on 341Nx5 series)
- Mechanical part of the valve ATEX certified according standard EN 13463-1 & -5

General Information

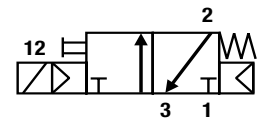
Function:	3/2, 5/2, 3/2 <=> 5/2 and 5/3 valves.
Manual override:	Standard on all versions.
Design:	Nxx & Pxx Series: Solenoid operated spool valve with combined spring and air return & external air pressure operated versions. B0x Series: Solenoid direct acting valve with spring return.
Mounting:	Nxx Series: For direct mounting on NAMUR interface 1/4" & 1/2" Pxx Series: Piped valves G1/4" & G1/2" Bxx Series: Equipped with a banjo bolt G1/8" or G1/4"
Mounting position:	Indifferent.
Material specifications:	Aluminium body. Internal parts of stainless steel. Sealing material from NBR.
Range of admissible pressure drop:	Δp min. = see table. Δp max. = 10 bar.
Media:	Dry or lubricated air.
Fluid temperature:	Min. 0°C Max. + 50°C
Ambient temperature:	-20°C to +50°C
Electrical part:	N0x / P0x / Bxx Series are compatible with 22 mm coil 496131 / 496482 / 496637 size N3x / P3x Series are compatible with 32/37/40 mm coils part of electrical group 2 (8/9W), including 481865 / 495870 / 495905 Series / N3x90 Series are compatible with coils from electrical group 6,7,8 including coil 495900,495910,483580.
Solenoid duty:	100% ED.
Voltage:	481865 coil: 12 VDC , 24 VDC , 48 VDC , 110VDC, 24 V / 50 AC, 48 V / 50 AC, 110 V / 50 AC, 220-230V/50 AC, 115 V / 60 Hz AC, 230 V / 60 AC.
Voltage tolerance:	\pm 10% of nominal for 481865 coil.
Class of insulation material:	Class F for 481865 coil.
Standards:	Mechanical ATEX conform to EN 13463-1 & -5.

Banjo Valves - G1/4" & G1/8" Series

Solenoid Operated Versions B14-B04 Versions with 22 mm Coil

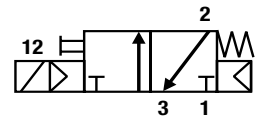
Port size	Orifice	Q _N	Admissible differential pressure (bar)		Max. admissible fluid temperature (°C)		Seat disc	Reference number			Consumption Power (Watt)		Weight (g)	Dimensions Reference
			max.	AC~	min. = 0°C	Air & Neutral gases		Valve	Housing	Coil	DC	AC		

3/2 Solenoid operated - Spring return (monostable)



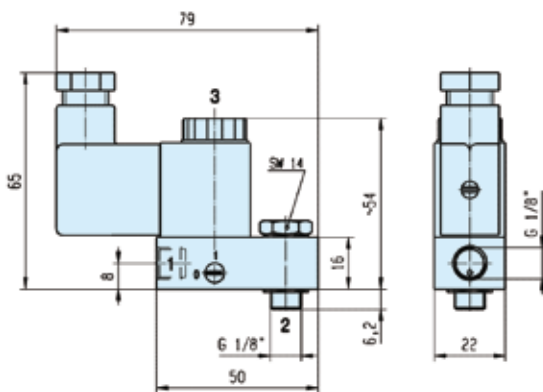
1/8	1.2	50	0	10	10	50	NBR	131B14	-	496131	3	3	140	26
1/8	1.2	50	0	10	10	50	NBR	131B14	-	496482	3	3	140	26
1/8	1.2	50	0	10	10	50	NBR	131B14	-	496637	3	3	140	26

3/2 Solenoid operated - Spring return (monostable)

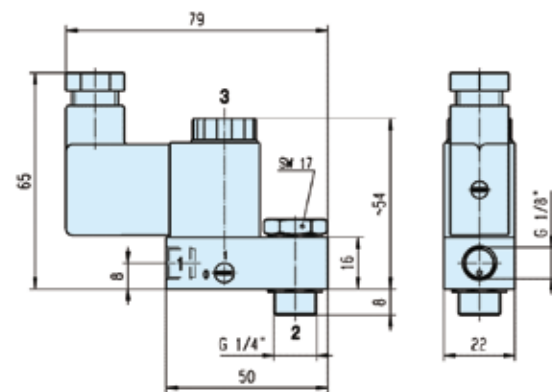


1/4	1.2	50	0	10	10	50	NBR	131B04	-	496131	3	3	160	27
1/4	1.2	50	0	10	10	50	NBR	131B04	-	496482	3	3	160	27
1/4	1.2	50	0	10	10	50	NBR	131B04	-	496637	3	3	160	27

Dimensions Reference 26



Dimensions Reference 27



Please consult the "How to Order" part at the end of each coil chapter.

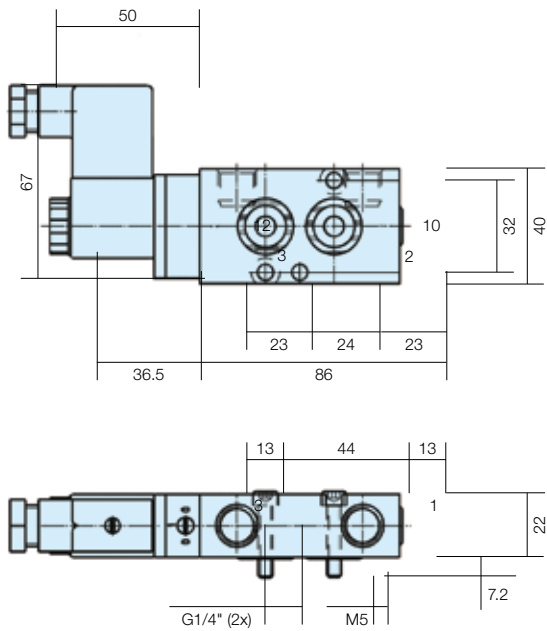
NAMUR Valves G1/4" Series

Solenoid Operated Versions N03-N05 Series with 22 mm Coil

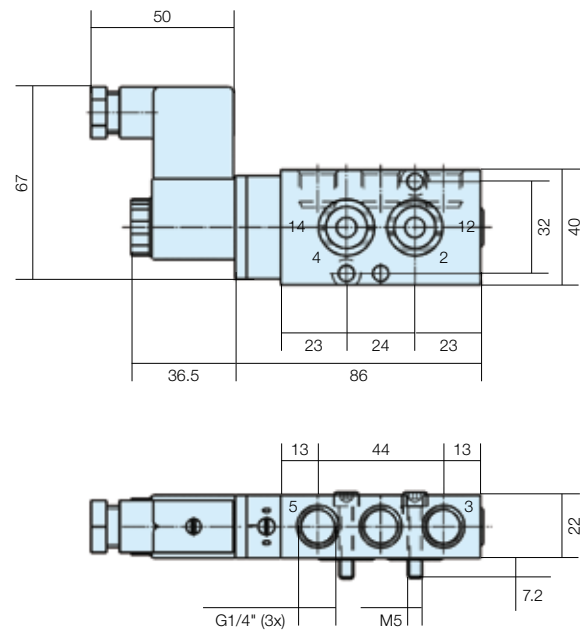
Port size	Orifice	Q _N	Admissible differential pressure (bar)		Max. admissible fluid temperature (°C)		Seat disc	Reference number			Consumption Power (Watt)		Weight (g)	Dimensions Reference
			max.	min.	DC=	AC~		Air & Neutral gases	Valve	Housing	Coil	DC		
G	mm	l/min	min	DC=	AC~	Air & Neutral gases	Valve	Housing	Coil	DC	AC			
3/2 Solenoid operated - Combined spring & air return (monostable)														
1/4	7	1250	2.5	10	10	50	NBR	331N03	-	496131	3	3	300	1
1/4	7	1250	2.5	10	10	50	NBR	331N03	-	496482	3	3	300	1
1/4	7	1250	2.5	10	10	50	NBR	331N03	-	496637	3	3	300	1
5/2 Solenoid operated - Combined spring & air return (monostable)														
1/4	7	1250	2.5	10	10	50	NBR	341N03	-	496131	3	3	300	2
1/4	7	1250	2.5	10	10	50	NBR	341N03	-	496482	3	3	300	2
1/4	7	1250	2.5	10	10	50	NBR	341N03	-	496637	3	3	300	2
3/2 <=> 5/2 with conversion plate - Solenoid operated Combined spring & air return (monostable)														
1/4	7	1250	2.5	10	10	50	NBR	341N05	-	496131	3	3	310	3
1/4	7	1250	2.5	10	10	50	NBR	341N05	-	496482	3	3	310	3
1/4	7	1250	2.5	10	10	50	NBR	341N05	-	496637	3	3	310	3
1/4	7	1250	2.5	10	10	50	NBR	341N0502*	-	496131	3	3	310	3
1/4	7	1250	2.5	10	10	50	NBR	341N0502*	-	496482	3	3	310	3
1/4	7	1250	2.5	10	10	50	NBR	341N0502*	-	496637	3	3	310	3
5/2 Solenoid operated and return (bistable)														
1/4	7	1250	2.5	10	10	50	NBR	347N03	-	496131	3	3	430	4
1/4	7	1250	2.5	10	10	50	NBR	347N03	-	496482	3	3	430	4
1/4	7	1250	2.5	10	10	50	NBR	347N03	-	496637	3	3	430	4
5/3 W1 closed in center position - Solenoid operated and return														
1/4	7	1250	2.5	10	10	50	NBR	342N03	-	496131	3	3	430	4
1/4	7	1250	2.5	10	10	50	NBR	342N03	-	496482	3	3	430	4
1/4	7	1250	2.5	10	10	50	NBR	342N03	-	496637	3	3	430	4
5/3 W3 exhausted in center position Solenoid operated and return														
1/4	7	1250	2.5	10	10	50	NBR	343N03	-	496131	3	3	430	4

Please consult the "How to Order" part at the end of each coil chapter.

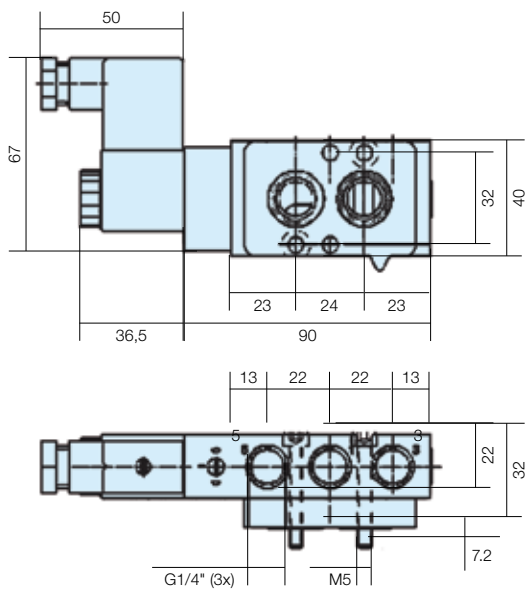
Dimensions Reference 1



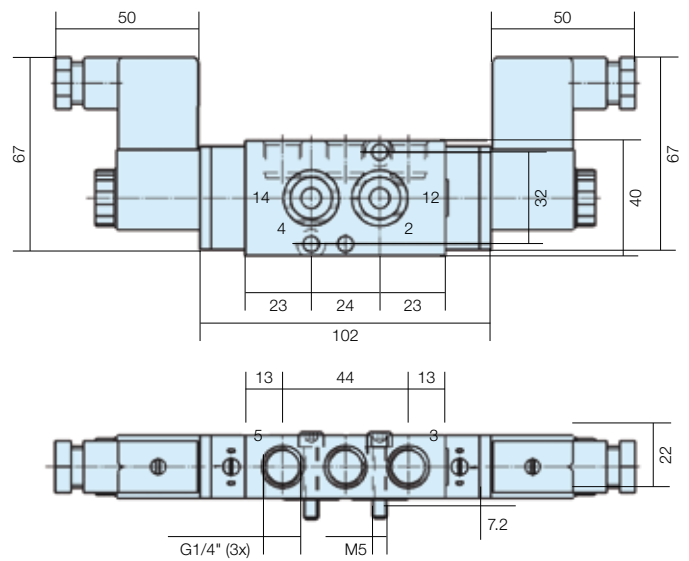
Dimensions Reference 2



Dimensions Reference 3



Dimensions Reference 4



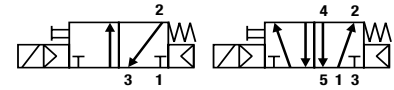
Please consult the "How to Order" part at the end of each coil chapter.

NAMUR Valves G1/4" Series

Solenoid Operated Versions N33-N35 Series with 32 / 37 / 40 mm Coil

Port size	Orifice	Q _N	Admissible differential pressure (bar) maximum			Maximum admissible fluid temperature (°C) minimum = 0°C	Seat disc	Reference number			Consumption Power (Watt)		Weight (g)	Elect. Group	Dim. Ref.
			min	DC=	AC~			Valve	Housing	Coil	DC	AC			

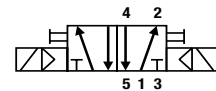
3/2 <=> 5/2 with conversion plate - Solenoid operated Combined spring & air return (monostable)



1/4	7	1250	2.5	10	10	50	NBR	341N35	2995	481865	9	8	480	2	5
1/4	7	1250	2.5	10	10	50	NBR	341N35	2995	495870	9	8	700	2	-
1/4	7	1250	2.5	10	10	50	NBR	341N35	-	495905	8	8	740	2	-
1/4	7	1250	2.5	10	10	50	NBR	341N3502*	2995	481865	9	8	480	2	5
1/4	7	1250	2.5	10	10	50	NBR	341N3502*	2995	495870	9	8	700	2	-
1/4	7	1250	2.5	10	10	50	NBR	341N3502*	-	495905	8	8	740	2	-
1/4	7	1250	2.5	10	10	50	NBR	341N3590*	-	483580	0.5-3	-	560	7	5
1/4	7	1250	2.5	10	10	50	NBR	341N3590*	-	495910	0.3-3	-	920	8	-
1/4	7	1250	2.5	10	10	50	NBR	341N3590*	-	495900	2	2,5	920	6	-

* Valves without manual override

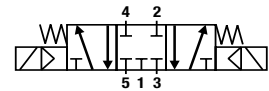
5/2 Solenoid operated and return



1/4	7	1250	2.5	10	10	50	NBR	347N33	2995	481865	9	8	750	2	6
1/4	7	1250	2.5	10	10	50	NBR	347N33	2995	495870	9	8	1190	2	-
1/4	7	1250	2.5	10	10	50	NBR	347N33	-	495905	8	8	1270	2	-
1/4	7	1250	2.5	10	10	50	NBR	347N3390*	-	483580	0.5-3	-	700	7	6
1/4	7	1250	2.5	10	10	50	NBR	347N3390*	-	495910	0.3-3	-	1420	8	-
1/4	7	1250	2.5	10	10	50	NBR	347N3390*	-	495900	2	2,5	1420	6	-

* Valves without manual override

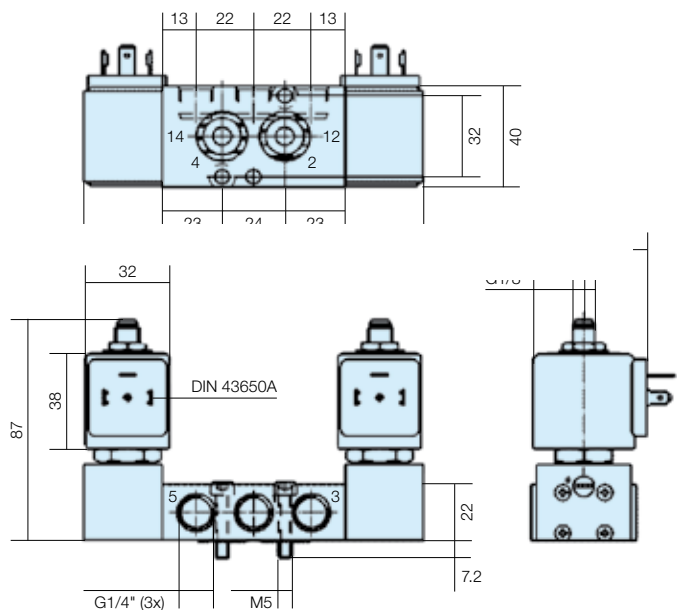
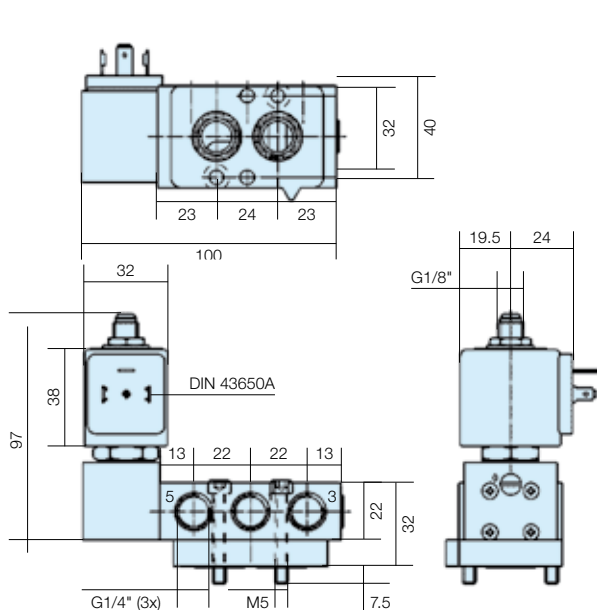
5/3 W1 Closed in center position Solenoid operated and return



1/4	7	1250	2.5	10	10	50	NBR	342N33	2995	481865	9	8	750	2	6
1/4	7	1250	2.5	10	10	50	NBR	342N33	2995	495870	9	8	1190	2	-
1/4	7	1250	2.5	10	10	50	NBR	342N33	-	495905	8	8	1270	2	-

Dimensions Reference 5

Dimensions Reference 6

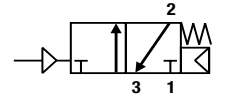


NAMUR Valves G1/4" Series

External Pressure Air Operated Series 5xx N03 Series

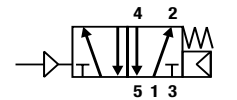
Port size	Orifice	Q _n	Admissible differential pressure (bar)		Maximum admissible fluid temperature (°C)		Seat disc	Reference number			Consumption Power (Watt)		Weight (g)	Elect. Group	Dim. Ref.
			maximum	DC= AC~	Air & Neutral gases	Valve		Housing	Coil	DC	AC				
G	mm	l/min	min	DC= AC~	min	DC= AC~	Air & Neutral gases	Valve	Housing	Coil	DC	AC			

**3/2 External pressure air operated
Combined spring & air return (monostable)
External pressure supply 2.5 to 10 bar**



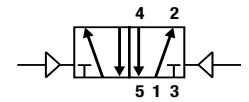
1/4	7	1250	2.5	10	10	50	NBR	531N03	-	w/o	-	-	210	-	7
-----	---	------	-----	----	----	----	-----	---------------	---	-----	---	---	-----	---	---

**5/2 External pressure air operated
Combined spring & air return (monostable)
External pressure supply 2.5 to 10 bar**



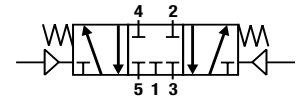
1/4	7	1250	2.5	10	10	50	NBR	541N03	-	w/o	-	-	210	-	8
-----	---	------	-----	----	----	----	-----	---------------	---	-----	---	---	-----	---	---

**5/2 External pressure air operated
External pressure air return (bistable)
External pressure supply 2.5 to 10 bar**



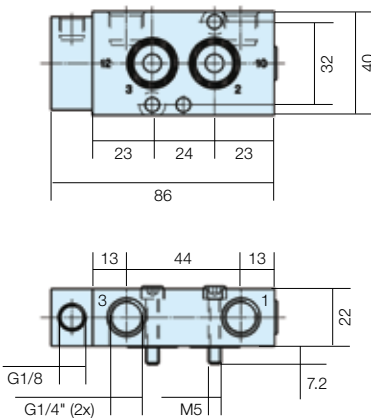
1/4	7	1250	2.5	10	10	50	NBR	547N03	-	w/o	-	-	240	-	9
-----	---	------	-----	----	----	----	-----	---------------	---	-----	---	---	-----	---	---

**5/3 W1 closed in center position - External pressure air operated
External pressure air return
External pressure supply 2.5 to 10 bar**

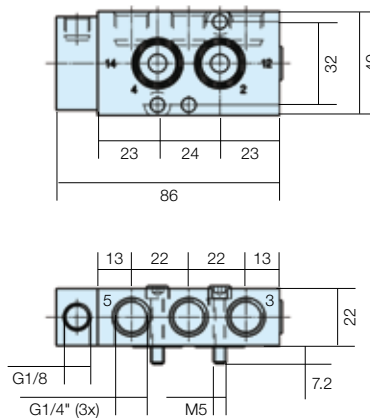


1/4	7	1250	2.5	10	10	50	NBR	542N03	-	w/o	-	-	240	-	9
-----	---	------	-----	----	----	----	-----	---------------	---	-----	---	---	-----	---	---

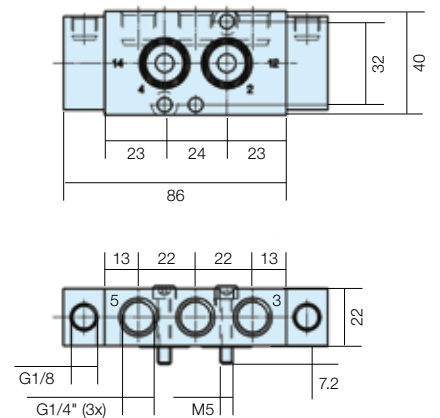
Dimensions Reference 7



Dimensions Reference 8



Dimensions Reference 9

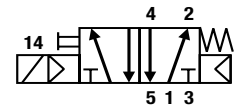


NAMUR Valves G1/2" Series

Solenoid Operated Versions N04 Versions with 22 mm Coil

Port size	Orifice	Q _N	Admissible differential pressure (bar)		Maximum admissible fluid temperature (°C)	Seat disc	Reference number	Consumption Power (Watt)		Weight (g)	Elect. Group	Dim. Ref.
			maximum	maximum				DC	AC			
G	mm	l/min	min	DC= AC~	Air & Neutral gases	Valve	Housing	Coil	DC	AC		

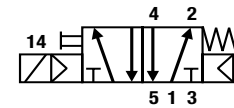
3/2 Solenoid operated Combined spring & air return (monostable)



1/2	12	3000	2.5	10	10	50	NBR	331N04	-	496131	3	3	910	-	10
1/2	12	3000	2.5	10	10	50	NBR	331N04	-	496482	3	3	925	-	10
1/2	12	3000	2.5	10	10	50	NBR	331N04	-	496637	3	3	925	-	10
1/2	12	3000	2.5	10	10	50	NBR	331N0402*	-	496131	3	3	910	-	10
1/2	12	3000	2.5	10	10	50	NBR	331N0402*	-	496482	3	3	925	-	10
1/2	12	3000	2.5	10	10	50	NBR	331N0402*	-	496637	3	3	925	-	10

* Valves without manual override

5/2 Solenoid operated Combined spring & air return (monostable)



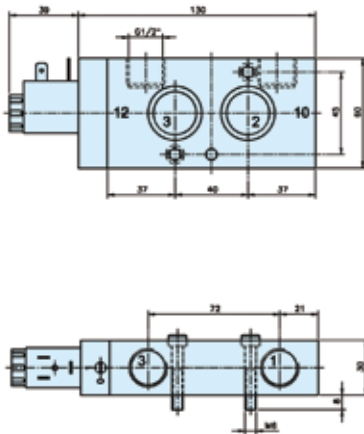
1/2	12	3000	2.5	10	10	50	NBR	341N04	-	496131	3	3	910	-	11
1/2	12	3000	2.5	10	10	50	NBR	341N04	-	496482	3	3	925	-	11
1/2	12	3000	2.5	10	10	50	NBR	341N04	-	496637	3	3	925	-	11

5/2 Solenoid operated and return (bistable)

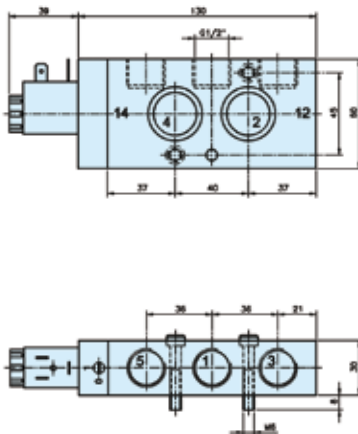


1/2	12	3000	2.5	10	10	50	NBR	347N04	-	496131	3	3	1240	-	12
1/2	12	3000	2.5	10	10	50	NBR	347N04	-	496482	3	3	1255	-	12
1/2	12	3000	2.5	10	10	50	NBR	347N04	-	496637	3	3	1255	-	12

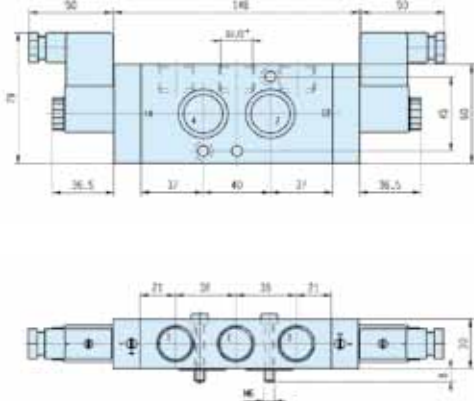
Dimensions Reference 10



Dimensions Reference 11



Dimensions Reference 12



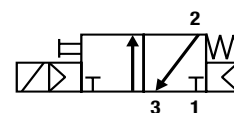
Please consult the "How to Order" part at the end of each coil chapter.

NAMUR Valves G1/2" Series

Solenoid Operated Versions N34 Series with 32 / 37 / 40 mm Coil

Port size	Orifice	Q _N	Admissible differential pressure (bar)		Maximum admissible fluid temperature (°C)	Seat disc	Reference number		Consumption Power (Watt)		Weight (g)	Elect. Group	Dim. Ref.
			maximum	DC= AC~			Valve	Housing	Coil	DC			
G	mm	l/min	min	DC= AC~	Air & Neutral gases								

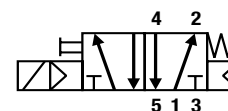
3/2 Solenoid operated Combined spring & air return (monostable)



1/2	12	3000	2.5	10	10	50	NBR	331N34	2995	481865	9	8	810	2	13
1/2	12	3000	2.5	10	10	50	NBR	331N34	2995	495870	9	8	830	2	-
1/2	12	3000	2.5	10	10	50	NBR	331N34	-	495905	8	8	1150	2	-
1/2	12	3000	2.5	10	10	50	NBR	331N3402*	2995	481865	9	8	810	2	13
1/2	12	3000	2.5	10	10	50	NBR	331N3402*	2995	495870	9	8	830	2	-
1/2	12	3000	2.5	10	10	50	NBR	331N3402*	-	495905	8	8	1150	2	-

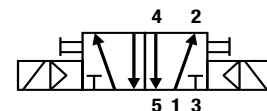
* Valves without manual override

5/2 Solenoid operated Combined spring & air return (monostable)



1/2	12	3000	2.5	10	10	50	NBR	341N34	2995	481865	9	8	800	2	14
1/2	12	3000	2.5	10	10	50	NBR	341N34	2995	495870	9	8	820	2	-
1/2	12	3000	2.5	10	10	50	NBR	341N34	-	495905	8	8	1140	2	-

5/2 Solenoid operated and return (bistable)

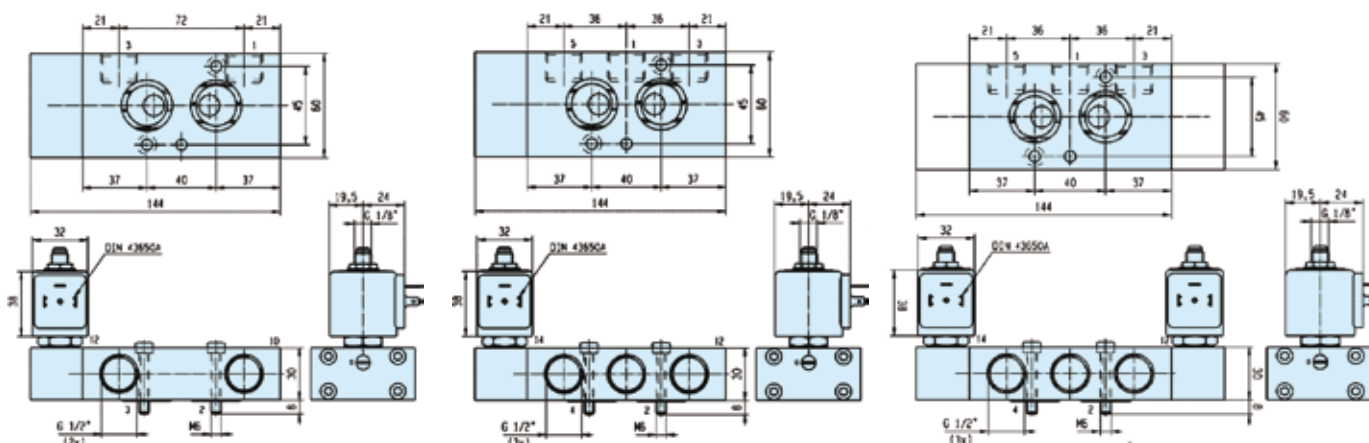


1/2	12	3000	2.5	10	10	50	NBR	347N34	2995	481865	9	8	960	2	15
1/2	12	3000	2.5	10	10	50	NBR	347N34	2995	495870	9	8	1000	2	-
1/2	12	3000	2.5	10	10	50	NBR	347N34	-	495905	8	8	1640	2	-

Dimensions Reference 13

Dimensions Reference 14

Dimensions Reference 15



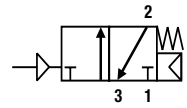
Please consult the "How to Order" part at the end of each coil chapter.

NAMUR Valves G1/2" Series

External Pressure Air Operated Series 5 xx N04 Series

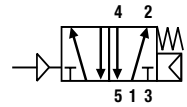
Port size	Orifice	Q _N	Admissible differential pressure (bar)		Maximum admissible fluid temperature (°C)		Seat disc	Reference number			Consumption Power (Watt)		Weight (g)	Elect. Group	Dim. Ref.
			maximum	DC= AC~	Air & Neutral gases	minimum = 0°C		Valve	Housing	Coil	DC	AC			
G	mm	l/min	min	DC= AC~	Air & Neutral gases	minimum = 0°C		Valve	Housing	Coil	DC	AC			

3/2 External pressure air operated Combined spring & air return (monostable) External pressure supply 2.5 to 10 bar



1/2	12	3000	2.5	10	10	50	NBR	531N04	-	w/o	-	-	620	-	16
-----	----	------	-----	----	----	----	-----	--------	---	-----	---	---	-----	---	----

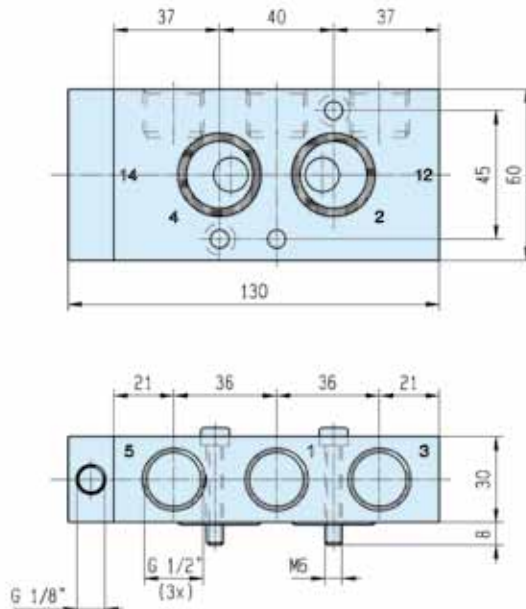
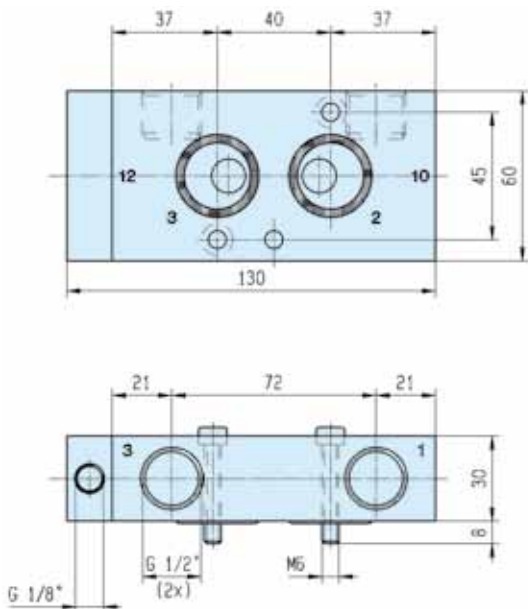
5/2 External pressure air operated Combined spring & air return (monostable) External pressure supply 2.5 to 10 bar



1/2	12	3000	2.5	10	10	50	NBR	541N04	-	w/o	-	-	600	-	17
-----	----	------	-----	----	----	----	-----	--------	---	-----	---	---	-----	---	----

Dimensions Reference 16

Dimensions Reference 17



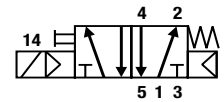
Please consult the "How to Order" part at the end of each coil chapter.

Piped Valves - G1/4" Series

Solenoid Operated Versions P03 Versions with 22 mm Coil

Port size	Orifice	Q _N	Admissible differential pressure (bar)		Maximum admissible fluid temperature (°C)		Seat disc	Reference number			Consumption Power (Watt)		Weight (g)	Elect. Group	Dim. Ref.
			maximum	DC= AC~	Air & Neutral gases	minimum = 0°C		Valve	Housing	Coil	DC	AC			

5/2 Solenoid operated Combined spring & air return (monostable)



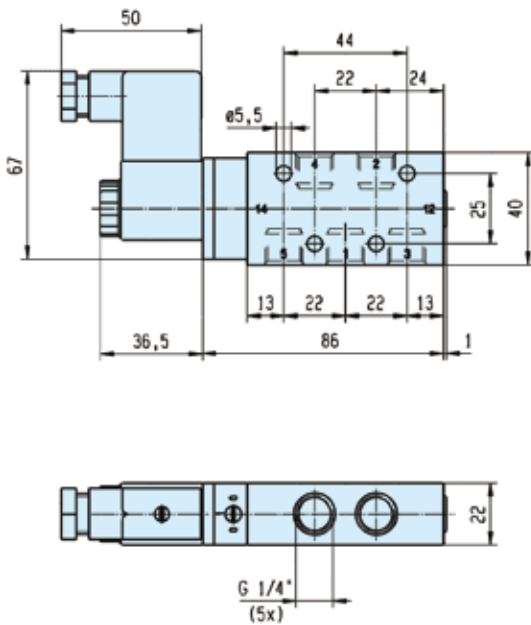
1/4	7	1250	2.5	10	10	50	NBR	341P03	-	496131	3	3	250	-	18
1/4	7	1250	2.5	10	10	50	NBR	341P03	-	496482	3	3	250	-	18
1/4	7	1250	2.5	10	10	50	NBR	341P03	-	496637	3	3	250	-	18

5/2 Solenoid operated and return (bistable)

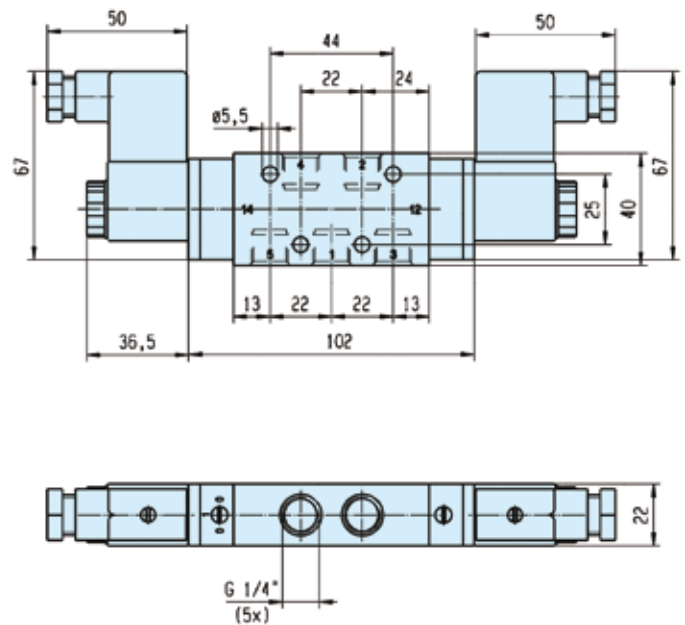


1/4	7	1250	2.5	10	10	50	NBR	347P03	-	496131	3	3	350	-	19
1/4	7	1250	2.5	10	10	50	NBR	347P03	-	496482	3	3	350	-	19
1/4	7	1250	2.5	10	10	50	NBR	347P03	-	496637	3	3	350	-	19

Dimensions Reference 18



Dimensions Reference 19



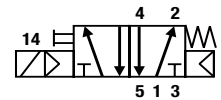
Please consult the "How to Order" part at the end of each coil chapter.

Piped Valves - G1/4" Series

Solenoid Operated Versions P33 Versions with 32-37-40 mm Coil

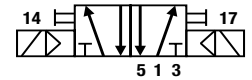
Port size	Orifice	Q _N	Admissible differential pressure (bar) maximum		Maximum admissible fluid temperature (°C)		Seat disc	Reference number			Consumption Power (Watt)		Weight (g)	Elect. Group	Dim. Ref.
			min	DC= AC~	Air & Neutral gases	Valve		Housing	Coil	DC	AC				

5/2 Solenoid operated Combined spring & air return (monostable)



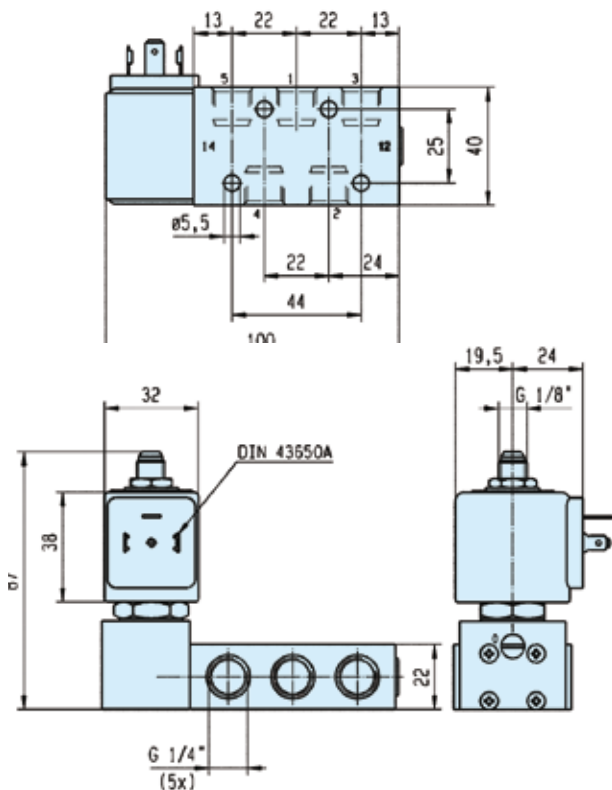
1/4	7	1250	2.5	10	10	50	NBR	341P33	2995	481865	9	8	470	2	20
1/4	7	1250	2.5	10	10	50	NBR	341P33	2995	495870	9	8	490	2	-
1/4	7	1250	2.5	10	10	50	NBR	341P33	-	495905	8	8	810	2	-

5/2 Solenoid operated and return (bistable)

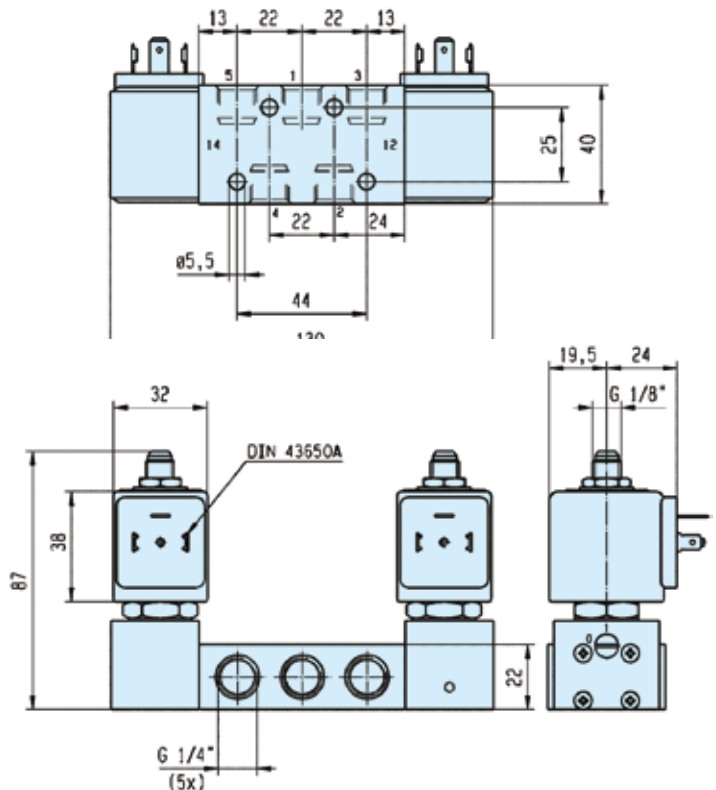


1/4	7	1250	2.5	10	10	50	NBR	347P33	2995	481865	9	8	620	2	21
1/4	7	1250	2.5	10	10	50	NBR	347P33	2995	495870	9	8	640	2	-
1/4	7	1250	2.5	10	10	50	NBR	347P33	-	495905	8	8	960	2	-

Dimensions Reference 20



Dimensions Reference 21

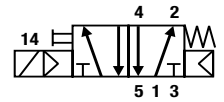


Piped Valves - G1/2" Series

Solenoid Operated Versions P04 Versions with 22 mm Coil

Port size	Orifice	Q _N	Admissible differential pressure (bar) maximum		Maximum admissible fluid temperature (°C)		Seat disc	Reference number			Consumption Power (Watt)		Weight (g)	Elect. Group	Dim. Ref.
			min	DC= AC~	Air & Neutral gases	Valve		Housing	Coil	DC	AC				

5/2 Solenoid operated Combined spring & air return (monostable)



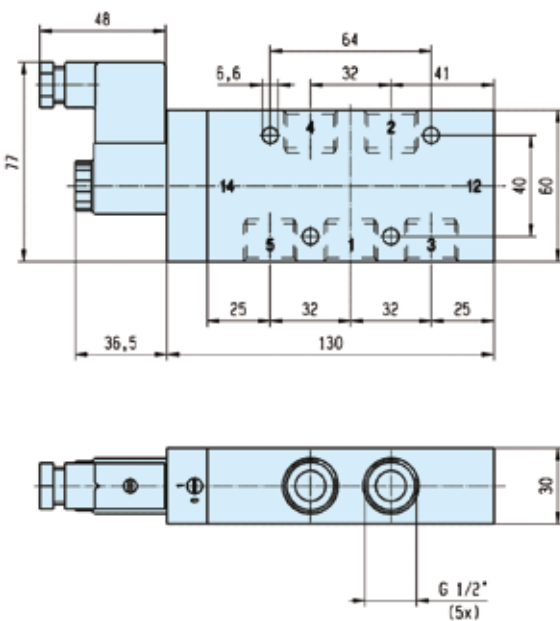
1/2	12	3000	2.5	10	10	50	NBR	341P04	-	496131	3	3	670	-	22
1/2	12	3000	2.5	10	10	50	NBR	341P04	-	496482	3	3	670	-	22
1/2	12	3000	2.5	10	10	50	NBR	341P04	-	496637	3	3	670	-	22

5/2 Solenoid operated and return (bistable)

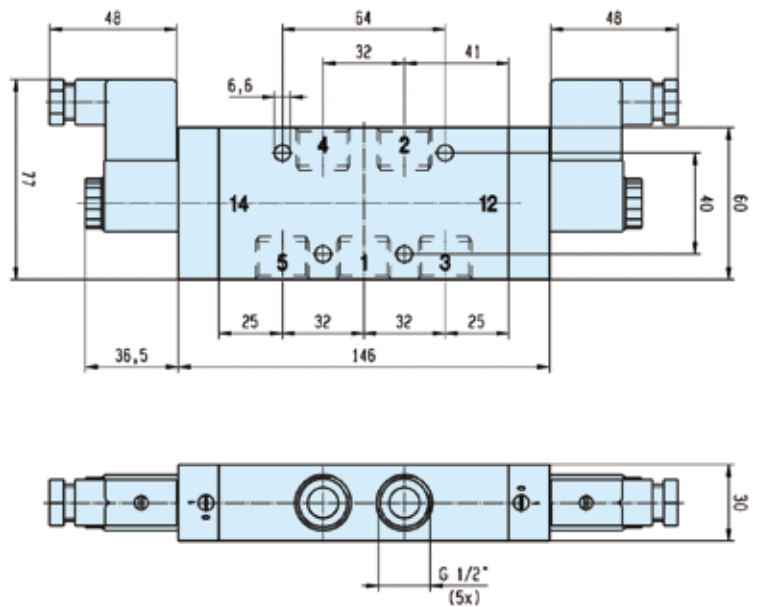


1/2	12	3000	2.5	10	10	50	NBR	347P04	-	496131	3	3	840	-	23
1/2	12	3000	2.5	10	10	50	NBR	347P04	-	496482	3	3	840	-	23
1/2	12	3000	2.5	10	10	50	NBR	347P04	-	496637	3	3	840	-	23

Dimensions Reference 22



Dimensions Reference 23



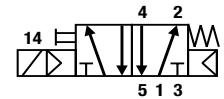
Please consult the "How to Order" part at the end of each coil chapter.

Piped Valves - G1/2" Series

Solenoid Operated Versions P34 Versions with 32/37/40 mm Coil

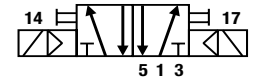
Port size	Orifice	Q _n	Admissible differential pressure (bar)			Maximum admissible fluid temperature (°C)		Seat disc	Reference number			Consumption Power (Watt)		Weight (g)	Elect. Group	Dim. Ref.
			maximum	DC=	AC~	Air & Neutral gases	Valve		Housing	Coil	DC	AC				

5/2 Solenoid operated Combined spring & air return (monostable)



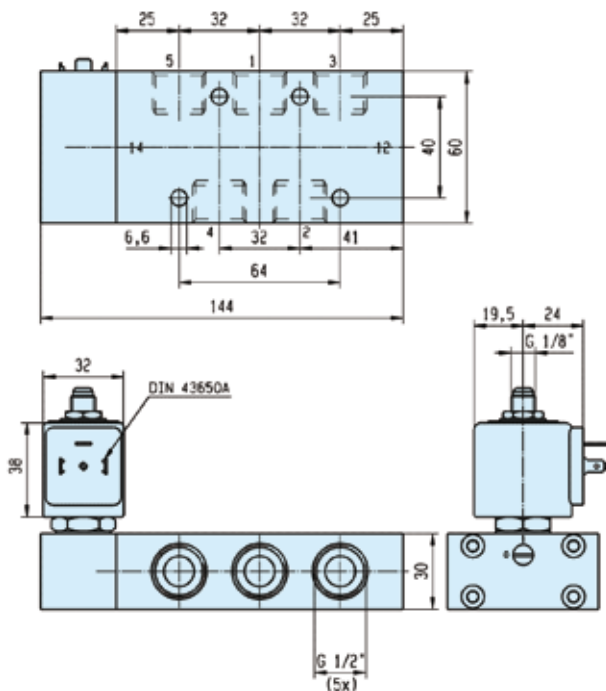
1/2	12	3000	2.5	10	10	50	NBR	341P34	2995	481865	9	8	900	2	24
1/2	12	3000	2.5	10	10	50	NBR	341P34	2995	495870	9	8	920	2	-
1/2	12	3000	2.5	10	10	50	NBR	341P34	-	495905	8	8	1240	2	-

5/2 Solenoid operated and return (bistable)

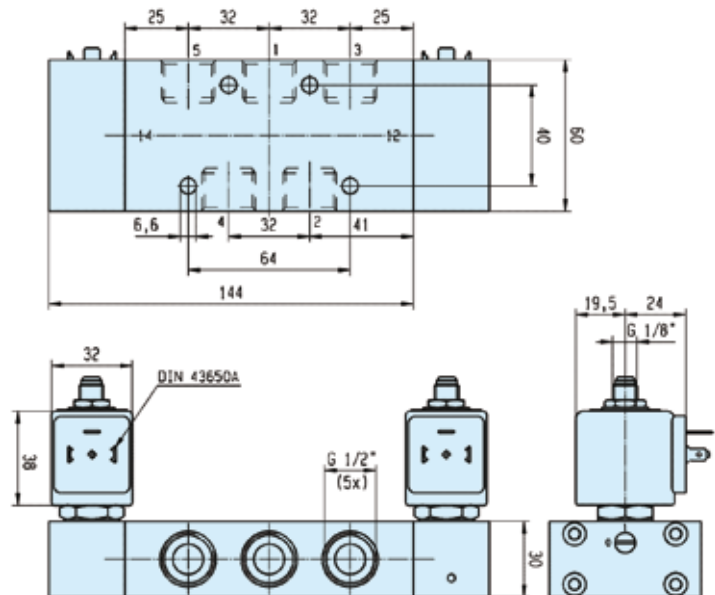


1/2	12	3000	2.5	10	10	50	NBR	347P34	2995	481865	9	8	1240	2	25
1/2	12	3000	2.5	10	10	50	NBR	347P34	2995	495870	9	8	1280	2	-
1/2	12	3000	2.5	10	10	50	NBR	347P34	-	495905	8	8	2080	2	-

Dimensions Reference 24



Dimensions Reference 25



Please consult the "How to Order" part at the end of each coil chapter.


Coils and Spare Parts Informations

Coils 22 mm for N03-N05 Series

Safe Area & ATEX Zone 22

Ref. 496131 / 496482 / 496637

These coils with connection for 2 P+G DIN 43650 B plug are encapsulated in synthetic material, conform to the IEC/CENELEC safety standards and comply with European low voltage directive 73/23/EC .

- Power: 3W
 - Insulation Class: F (155°C)
 - Degree of Protection: IP65 (with plug)
 - Duty Cycle: 100% ED
 - Ambient Temperature: -10°C to 50°C
- 3 different types are available:**
- Ref. 496131 for a safe area without plug
 - Ref. 496482 for a safe area with plug
 - Ref. 496637 for an ATEX area Zone 22 

496637 coil series with connection 2P + G when mounted together with the supplied Pg9 plug (delivered with the coil) are suitable for use in dangerous areas (dust Zone 22) according to the European directive ATEX 94/9/C. Protection mode: Ex tD A22 IP65 - T95°C

Available Voltages	Safe area without DIN plug Order Code	Safe area with DIN plug Order Code	ATEX Zone 22 EX II 3D Order Code
12 VDC	496131 C1	496482 C1	496637 C1
24 VDC	496131 C2	496482 C2	496637 C2
48 VDC	496131 C4	496482 C4	496637 C4
110 VDC	496131 C5	496482 C5	496637 C5
24/50-60 VAC	496131 P0	496482 P0	496637 P0
48/50-60 VAC	496131 S4	496482 S4	496637 S4
110/50-60 VAC	496131 P2	496482 P2	496637 P2
115/60 VAC	496131 K8	496482 K8	496637 K8
230/50-60 VAC	496131 P9	496482 P9	496637 P9

How to Order

The housing kit is already included into the coil reference, so it's not needed to add it with the order code:

Valve Reference Number - Coil Reference - Voltage code = Order code

Example: 341N03 - 496131 C2

Valves and coils may be ordered also separately.

Coils 32 mm / 37 mm / 40 mm for N33-N34-N35 Series

Safe Area

Ref. 481865

These coils can be mounted with every Parker solenoid valves corresponding to the specified Coil Group. See column "Coil Group" within valve pages. This is an encapsulated assembly comprising a coil, integral magnetic iron path and snap-on plug connection.

The synthetic material encapsulation provides an effective compact housing, offering full protection against dust, oil, water, etc. Ease of mounting in confined space - offers shock and corrosion protection - simplifies conversion of existing equipment to other requirements, etc.

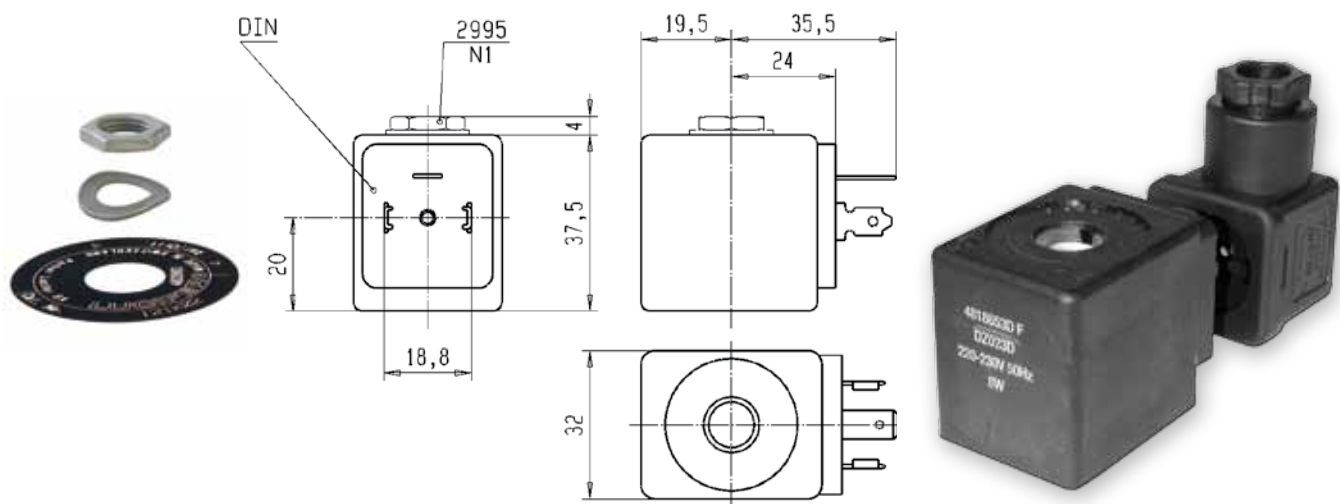
Coils conform to the IEC/CENELEC safety standards and complies with European low-voltage directive.



Specification		Standard	Double frequency				
Ref. (without DIN plug)		481865	483510				
Ref. (with DIN plug)		482725	482635				
Coil Group		2.0 / 2.1					
Degree of protection		IP65 according to IEC / EN 60529 standards (with DIN plug).					
Class of insulation		F 155°C					
Electrical connection		The coil is connected with a 2 P + E plug according to EN 175301-803 type A					
Ambient temperature		-40°C to +50°C - The application is limited also by the temperature range of the valve.					
Elect. Power	DC	Pn (hot)	9 W		-		
		P (cold) 20°C	12 W		-		
	AC	Pn (holding)	8 W		9 W		
		Attraction cold	26 VA (9 W)		32 VA (10 W)		
Weight		130 g (without plug)					
Voltages "Un"		VAC/Hz	Code	VDC	Code	VAC/Hz	Code
-10% to +10% of the Un		24/50	A2	24	C2	24/50, 24/60	P0
		48/50	A4	48	C4	48/50, 48/60	S4
		110/50	A5	110	C5	110-115/50, 120/60	S5
		220-230/50	3D			220-240/50, 240/60	S6

These coils must be used with suitable housings, see example below:

The coil assembly kit **Ref. 2995** corresponds to the "housing" of Lucifer® valve numbering system (Valve - housing - coil - voltage). It is composed of a nameplate giving details of the valve type, a round washer and a nut to ensure the fixing between 32 mm coil and the valve.



How to Order

To Order a Coil choose Coil Ref + Voltage Code

Example: **481865** for 24VDC = **481865C2**

More voltage possibilities can be found in the table of voltage codes at the end of the coil section.

To Order a Valve + Coil Combination:

Example: **341N35-2995-481865C2**

Coils and Spare Parts Informations

Coils 32 mm / 37 mm / 40 mm for N33-N34-N35 Series

Safe Area Coil 481000 Series with 4538 Watertight and dust proof housing IP67

Ref. 481000

These coils can be mounted with every Parker Solenoid Valves corresponding to the specified Coil Group.

See column "Coil Group" within valve pages. They can be mounted with all metal housings.

The coil winding is completely encapsulated in synthetic material. Easy mounting in confined spaces. Electrical connection with screw terminals for wire up to 1.5 mm².

Coils conform to the IEC/CENELEC safety standards and complies with European low-voltage directive.



Specification		Standard				Double Frequency	
Reference		481000				483520	
Coil Group		2.0 / 2.1					
Class of insulation		F 155°C					
Ambient temperature		-40°C to +50°C The application is limited also by the temperature range of the valve.					
Elect. Power	DC	Pn (hot)	8W			-	
		P (cold) 20°C	9W			-	
	AC	Pn (holding)	8W			9W	
		Attraction cold	32 VA (9 W)			36 VA (10 W)	
Weight		130 g				130 g	
Voltages "Un"		VAC/Hz	Code	VDC	Code	VAC/Hz	Code
-10% to +10% of the Un (-15 % to +5 % for double-frequency coil with voltage code S6 if 240 V/50/Hz is used).		24/50	A2	24	C2	24/50-60	P0
		48/50	A4	48	C4	48/50-60	S4
		110/50-115/50	0A	110	C5	110-115/50-120/60	S5
		220/50-230/50	3D			220-240/50-240/60	S6

These coils must be used with suitable housings, see examples below:



How to Order

To Order a Coil choose Coil Ref + Voltage Code

Example: **481000 for 24VDC = 481000C2**

More voltage possibilities can be found in the table of voltage codes at the end of the coil section.

To Order a Valve + Coil Combination:

Example: **341N35-4538-481000C2**

Coils 32 mm / 37 mm / 40 mm for N33-N34-N35 Series

ATEX Zone 2-22

REF. 495870

These coils can be mounted with every Parker ATEX solenoid valves corresponding to the specified Coil Group. See column "Coil Group" within valve pages.

Application: Control of solenoid valves in dangerous areas where explosion-proof protection Ex nc AC IIC T3 to T6 is required.

Ease of mounting in confined space - offers shock and corrosion protection - simplifies conversion of existing equipment to other requirements, etc. Coils conforms to the IEC/CENELEC safety standards and complies with European low-voltage directive.

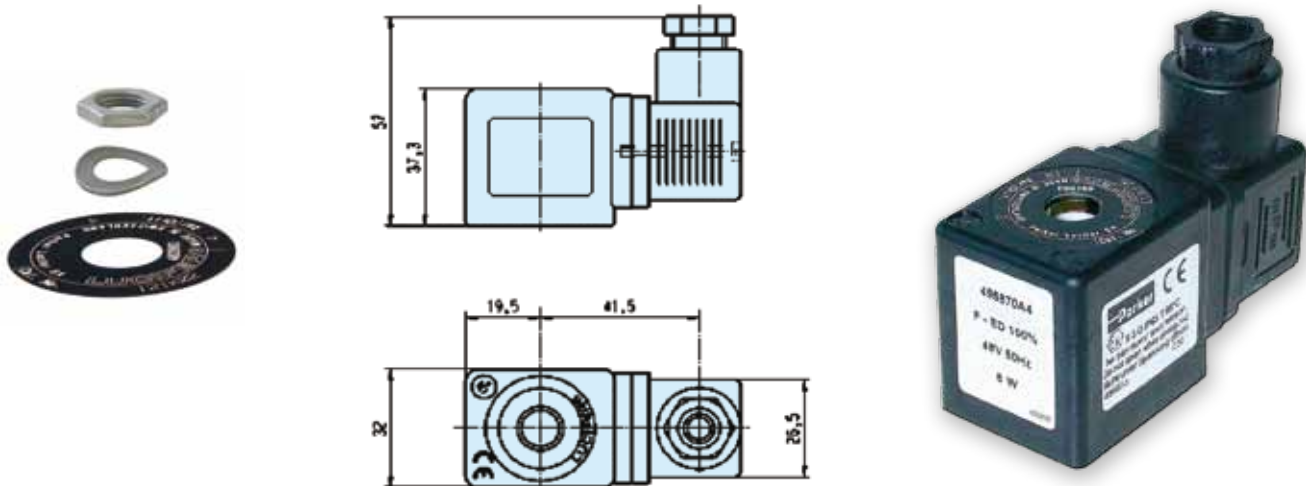
Small size for ease of mounting in confined spaces.



Reference	495870				496110	
Certificate	LCIE 05 ATEX 6003 X					
Coil Group	2.0 / 2.1					
Type of protection	Gas	II 3 G - Ex nc AC IIC T3 / T4			II 3 G - Ex nc AC IIC T3 / T4	
	Dust	II 3 D - Ex tc IIIC - T195°C / T130°C			II 3 D - Ex tc IIIC - T195°C / T130°C	
Degree of protection	IP65 (with plug) according to IEC/EN 60529					
Insulation Class	F (155°C)					
Duty cycle	100%					
Ambiant temperature	-40°C to +50°C The application is limited also by the temperature range of the valve.					
Elect. Power	DC	Pn (hot)	9 W			-
		P (cold) 20°C	12 W			-
	AC	Pn (holding)	8 W			9 W
		Attraction cold	26 VA (9 W)			32 VA (10 W)
Weight						150 g
Voltages "Un" -10% to +10% of the Un	VAC/Hz	Code	VDC	Code	VAC/Hz	Code
	24/50	A2	24	C2	24/50-60	P0
	48/50	A4	48	C4	48/50-60	S4
	110/50	A5	110	C5	110/50-60	S5
	220-230/50	3D			220/50-60	S6

These coils must be used with suitable housings, see example below:

The coil assembly kit **Ref. 2995** corresponds to the "housing" of Lucifer® valve numbering system (Valve - housing - coil - voltage). It is composed of a nameplate giving details of the valve type, a round washer and a nut to ensure the fixing between 32 mm coil and the valve.



How to Order

To Order a Coil choose Coil Ref + Voltage Code

Example: **495870 for 24VDC = 495870C2**

To Order a Valve + Coil Combination:

Example: **341N35-2995-495870C2**

Coils 32 mm / 37 mm / 40 mm for N33-N34-N35 Series

ATEX Zone 1-21

Ref. 495905

These coils can be mounted with every Parker ATEX solenoid valves corresponding to the specified Coil Group.

See column "Coil Group" within valve pages.

Application: Control of solenoid valves in dangerous areas where explosion-proof protection Ex db mb IIC T4 is required.

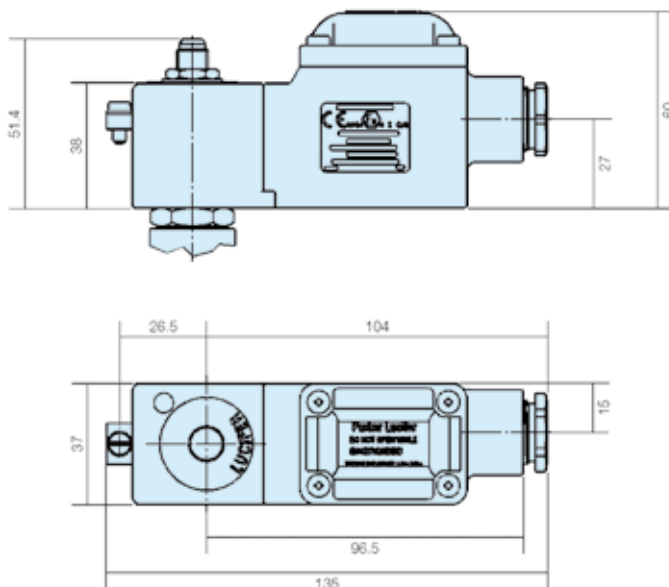
Benefits: Rotatable 360° fibreglass-reinforced plastic housing (class H). Solenoid coil, rectifier (silicium diodes), fuses and varistor protection are completely encapsulated into the coil housing by epoxy resin for shock and corrosion protection.

The plastic housing is delivered with M20 x 1.5 cable gland certified for use "db" protection.

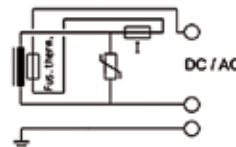
Small size for ease of mounting in confined space.



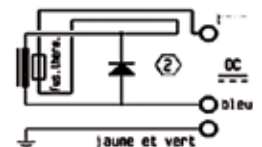
Reference		495905		495905.05	
Certificate		LCIE 03 ATEX 6451 X - IECEx LCI 06.0004 X			
Coil Group		2.0 / 2.1			
Type of protection	Gas	II 2 G - Ex db mb IIC T4			
	Dust	II 2 D - Ex tb IIC - 130°C			
Degree of protection		IP67			
Ambient temperature		-40°C to +65°C The application is limited also by the temperature range of the valve.			
Class of insulation		H (180 °)			
Electrical connection		Electric connection is done in the connection box on an easily accessible connector terminals. The introduction of the cable (Ø min 5 mm, Ømax. 11 mm, section max. 2.5 mm ²) in the connection box passes by the built in M20 x 1.5 cable gland.			
Elect. Power	DC	Pn (hot)	8 W		
		P (cold) 20°C	9 W		
	AC	Pn (holding)	8 W		
		Attraction cold	9 W		
Voltages "Un"		VAC/Hz	Code	VDC	Code
-10% to +10% of Un for AC - 10 % to + 10 % for Un DC.		24/50	A2	24	C2
		48/50	A4	48	C4
		115/50	E5	110	C5
		230/50	F4		



495905



*495905.05



How to Order

To Order a Coil choose Coil Ref + Voltage Code

Example: 495905 for 24VDC = 495905C2

To Order a Valve + Coil Combination:

Example: 341N35-495905C2

Coils 32 mm / 37 mm / 40 mm for N33-N34-N35 Series

ATEX Solutions Zone 1-21

Ref. 483371 & 494040

This coil can be mounted with every Parker ATEX solenoid valves corresponding to the specified Coil Group.

See column "Coil Group" within valve pages.

Application: Control of solenoid valves in dangerous areas where explosion-proof protection Ex eb II T3 or T4 is required.

Benefits: Rotatable housing 360°, galvanized steel with internal and external screw terminals for earth connection.

Small size for ease of mounting in confined space. Simplifies conversion of existing equipment to hazardous area requirements.



Reference		483371	494040	
Certificate		LCIE 02 ATEX 6011 X	LCIE 02 ATEX 6013 X	
Coil Group		2.0 / 2.1		
Type of protection	Gas	II 2 G - Ex eb IIC T4	II 2 G - Ex eb IIC T3 / T4	
	Dust	II 2 D - Ex tb IIIC - T130°C	II 2 D - Ex tb IIIC - T195°C / T130 °C	
Degree of protection		IP67		
Ambiant temperature		-40°C to +65°C The application is limited also by the temperature range of the valve.	-40°C to +90°C / to +65°C	
Class of insulation		F 155°C	F (180°)	
Electrical connection By special cable gland or M20 x 1.5 "Ex eb" on screw terminals for wires up to 1.5 mm ² . Cables with outside diameter 6.5 mm to 13.5 mm can be simply sealed using the rubber gland with resilient sealing rings supplied.				
Elect. Power	DC	Pn (hot)	8 W	8 W
		P (cold) 20°C	9 W	9 W
	AC	Pn (holding)	8 W	8 W
		Attraction cold	32 VA (9 W)	32 VA (9 W)

Weight		320 g							
Voltages "Un"		VAC/Hz	Code	VDC	Code	VAC/Hz	Code	VDC	Code
-10% to +10% of the Un		24/50	A2	24	C2	220-230/50	3D	24	C2
		48/50	A4	48	C4				
		110-115/50	OA	110	C5				
		220-230/50	3D						

Fuses:

Both electrical parts have to be connected in series with a safety fuse according to IEC 60127-3.

483371:

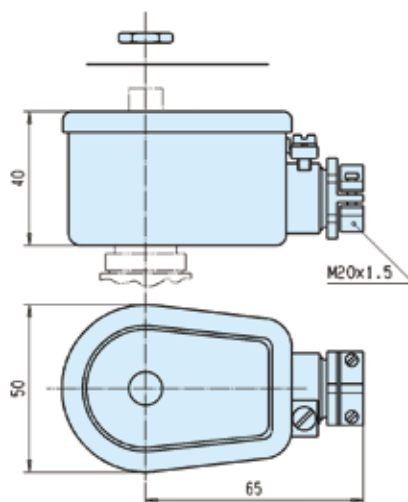
DC: 24 V, 400 mA - 48V, 250 mA
110 V, 100 mA

AC 50HZ: 24 V, 630 mA - 48V, 315 mA
110 V, 160 mA - 220/230 V, 80 mA

494040:

DC: 12 V, 400 mA - 24V, 200 mA
48 V, 100 mA - 110V, 50 mA

AC 50HZ: 24 V, 250 mA - 48V, 125 mA
110/115 V, 63 mA - 220/230 V, 32 mA



How to Order

To Order a Coil choose Coil Ref + Voltage Code

Example: 483371 for 24VDC = 483371C2

To Order a Valve + Coil Combination:

Example: 341N35-483371C2

Spare Parts Mounting Kit and Accessories

Kit for G1/4" Models without conversion plate (N x 3 Series)



Kit includes the 2 mounting screws M5 x 25 A2, the dowel pin M5 x 10 A2, the 2 O-rings NBR 15 x 2.5

Order code: 496132

Kit for G1/4" Models with conversion plate (N x 5 Series)



Kit includes the 2 mounting screws M5 x 35 A2, the dowel pin M5 x 20 A2, the conversion plate equipped with its seals

Order code: 496742 (equipped plate)

Order code: 496852 (screws + pin)

Kit for G1/2" Models (N x 4 Series)



Kit includes the 2 mounting screws M6 x 35 A2, the dowel pin M6 x 12 A2, the 2 O-rings NBR 24 x 3

Order code: 496133

Exhaust Flow Regulators



Material Body:	Brass	Filter element:	Sintered bronze
Spring:	Stainless Steel	Seal:	NBR

G1/8" Order code: 496551

G1/4" Order code: 496552

G1/2" Order code: 496553



Connector for 22 mm Coil

Connector DIN43650 AB Pg9 2P+E

Order code: 481043



Housing for 22 mm Coil

Plastic nut with O-ring

Order code: 3125



Connector for 32 mm Coil

Connector DIN43650 AA Pg9 2P+E

Order code: 486586

