



**ALEMITE**®

Lubrication Equipment and Fluid Handling Products

**PRODUCT CATALOG**

[WWW.ALEMITE.COM](http://WWW.ALEMITE.COM)



# INTRODUCTION

With a commitment to providing innovative products since 1918, Alemite has achieved an international reputation as a leader in high performance, high quality lubrication and fluid handling systems. Alemite products are used in manufacturing, construction, agriculture, automotive, pulp and paper, aircraft maintenance, marine and mining industries, providing maximum efficiency, productivity and reliability. Alemite has an extensive global sales network of distributors, supported by a strong company sales team. Our knowledgeable and experienced sales, technical and customer service staff, many of whom have extensive field experience, are experts in assisting customers with selecting the products and systems best suited for their needs.

The company continues to expand and improve its product line by designing and manufacturing products to serve new markets and applications. Alemite's stage gate product development process allows our development and manufacturing engineers to design products based on "voice of the customer" input, ensuring that we meet the needs of our customers. Alemite also provides custom-engineered solutions for specific applications as requested.

The Alemite quality process engages all employees in driving the goals of customer satisfaction and continuous improvement. This process is ISO/TS 16949:2002 certified, helping ensure we focus on these goals. Alemite products meet stringent laboratory and field testing for guaranteed performance and long life.

# TABLE OF CONTENTS

Section	Page #	Section	Page #
<b>4</b>	<i>Introduction</i> . . . . .	<b>7</b>	<i>Fluid Management Systems</i> . . . . .
	4		Alemite FCS
			Accu-Guard®PC
<b>1</b>	<i>Grease Guns</i> . . . . .	<b>8</b>	<i>Fluid Handling Equipment</i> . . . . .
	5		Drains
	Battery Powered		Extractors
	Professional		Dispensers
	Heavy Duty		Accessories
	High Pressure		
	Specialty	<b>9</b>	<i>Compressed Air Components</i> . . . . .
	Standard		121
	Accessories		Filter/Regulators
			Lubricators
<b>2</b>	<i>Pumps</i> . . . . .		Air Pressure Gauges
	20		Combination Packages
	Oil		Accessories
	Grease	<b>10</b>	<i>Centralized Lubrication</i> . . . . .
	Manual		126
	Chemical and Material Handling		Oil Mist
	Diaphragm		Injectors
	Electric		Series Progressive Divider Valves
	Accessories		Autolube® BTX
<b>3</b>	<i>Reels</i> . . . . .	<b>11</b>	<i>Single Point Lubricators</i> . . . . .
	48		142
	Heavy Duty		Greasomatic®
	Severe Duty		EasyLube®
	Narrow Double Post		Spring Driven
	High Capacity		Accessories
	Large Capacity	<b>12</b>	<i>Lubrication Accessories</i> . . . . .
	Shielded		148
	Specialty		Tie Down Kits
	Accessories		Dollies
<b>4</b>	<i>Control Valves and Meters</i> . . . . .		Hand Trucks
	67		Lube Carts
	Electronic Meters	<b>13</b>	<i>Example Product Configuration</i> . . . . .
	Mechanical Meters		151
	Preset Meters	<b>14</b>	<i>Pump Performance Charts</i> . . . . .
	Non-metered Control Valves		160
<b>5</b>	<i>Industrial Fittings</i> . . . . .	<b>15</b>	<i>Motor Tube Combinations</i> . . . . .
	76		172
	Threaded/Drive	<b>16</b>	<i>Index</i> . . . . .
	Carbon Steel/Monel/Stainless Steel		174
	Standard/Metric		
	Specialty		
	Vents/Breathers		
	Couplers		
	Accessories		
<b>6</b>	<i>Aerospace Fittings</i> . . . . .		
	109		
	Carbon Steel - Zinc Plated		
	Carbon Steel - Nickel Zinc Plated		
	Monel		
	Stainless Steel		



SECTION ONE

# GREASE GUNS



- ▶ Battery Powered
- ▶ Professional
- ▶ Heavy Duty
- ▶ High Pressure
- ▶ Specialty
- ▶ Standard
- ▶ Accessories

Alemite Grease Guns are built to perform in demanding applications. Unique, innovative designs ensure excellent performance, and strong attention to quality production provides maximum durability. With the most outstanding range of products offered, Alemite Grease Guns and Accessories will maximize your lubrication productivity.

## BATTERY POWERED GREASE GUNS

Alemite cordless grease guns offer the highest grease delivery of any guns in the market – regardless of voltage. Our patented design featuring the motor in the handle provides excellent balance, and Alemite’s glass fiber reinforced housing is extremely durable and damage resistant.



**585 Series**

### 14.4 Volt

**FEATURES:**

- Lightweight construction, ergonomic design and optional carrying strap reduce physical strain
- Patented automatic universal follower eliminates need to flip the follower when changing load method
- Chrome plated barrel for unmatched durability
- Powerful 1.9 ampere-hour battery
- One fully charged battery delivers up to 17 cartridges of grease at free flow.

Product #	Input Charger	Battery	Pressure	Flow Rate	Weight
585-A1	110V/60 Hz	1 14.4V 1900 mAh	10,000 psi, 690 bar	5.6oz/min, 159 g/min	7 lb, 3.2 kg
585-B1	110V/60 Hz	2 14.4V 1900 mAh	10,000 psi, 690 bar	5.6oz/min, 159 g/min	7 lb, 3.2 kg
585-C1	220V/50Hz (EU)	1 14.4V 1900 mAh	10,000 psi, 690 bar	5.6oz/min, 159 g/min	7 lb, 3.2 kg
585-D1	220V/50Hz (EU)	2 14.4V 1900 mAh	10,000 psi, 690 bar	5.6oz/min, 159 g/min	7 lb, 3.2 kg
585-E1	220V/50Hz (UK)	1 14.4V 1900 mAh	10,000 psi, 690 bar	5.6oz/min, 159 g/min	7 lb, 3.2 kg
585-F1	220V/50Hz (UK)	2 14.4V 1900 mAh	10,000 psi, 690 bar	5.6oz/min, 159 g/min	7 lb, 3.2 kg



**575 Series**

### 12 Volt

**FEATURES:**

- Lightweight construction, ergonomic design and optional carrying strap reduce physical strain
- Patented automatic universal follower eliminates need to flip the follower when changing load method
- Chrome plated barrel for unmatched durability
- Powerful 1.9 ampere-hour battery
- One fully charged battery delivers up to 13 cartridges of grease at free flow.

Product #	Battery	Pressure	Flow Rate	Weight
575-A1	1 12V 1700 mAh	6,500 psi, 448 bar	5.6oz/min, 159 g/min	6.8 lb, 3.1 kg
575-B1	2 12V 1700 mAh	6,500 psi, 448 bar	5.6oz/min, 159 g/min	6.8 lb, 3.1 kg
575-C1	1 12V 1700 mAh	6,500 psi, 448 bar	5.6oz/min, 159 g/min	6.8 lb, 3.1 kg
575-D1	2 12V 1700 mAh	6,500 psi, 448 bar	5.6oz/min, 159 g/min	6.8 lb, 3.1 kg

### Battery Powered Grease Gun Accessories

Accessories including mobile chargers and grease meters maximize the productivity of your Alemite Battery Powered Grease Gun.



**340913**



**339812**



**3530**



**340338**

Product #	Description	Remarks
340911	Rechargeable Battery, 12V, 1700 mAh, NiCad	
340912	Rechargeable Battery, 14V, 1900 mAh, NiCad	
340913	1 Hour Battery Charger, 110V/60Hz, 12V and 14.4V	For US and 110V/60Hz regions
340914	1 Hour Battery Charger, 220V/50Hz, 12V and 14.4V	For Europe, Middle East and 220V/50Hz regions
340915	1 Hour Battery Charger, 220V/50Hz, 12V and 14.4V	For UK, Africa, Hong Kong and regions using UK 3 prong plug
340916	1 Hour Mobile Car Charger, 12V and 14.4V	Plugs into 12V DC vehicle accessory outlet
339812	Carrying Strap	Reduces fatigue, allows easy storage
340057	Tool Bag	Convenience and easy transport
340067	36" Hose Replacement	10,000 psi/ 690 bar working pressure, equipped with spring guards
340338	Relief Valve	Relieves pressure to ease coupler removal from fitting
3530	Grease Meter	Adapter 340062 required
308730	Grease Coupler Replacement	10,000 psi/690 bar max. pressure

**PROFESSIONAL SERIES**

Alemite Professional Series Grease Guns are designed to consistently deliver excellent performance, and are known for their reliability and durability. Available in standard and high volume models, with 16 ounce or 24 ounce cylinder capacity.

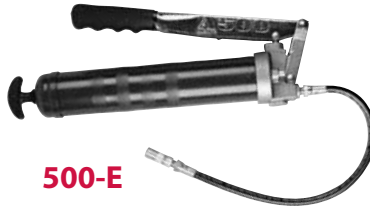
**Lever Guns**

FEATURES:

- Develops up to 10,000 psi pressure
- Rugged and light weight die cast aluminum head
- Vinyl cover for a comfortable and sure grip
- 3 way loading (14 ounce cartridge, suction, or fast refill from Alemite Loader Pump)
- Bleeder valve



**500**



**500-E**



**500-L**

Product #	Description	Pressure	Delivery	Cylinder Capacity	Included Items
500	Lever Gun	10,000 psi	1 oz/21 strokes	16 oz	Rigid extension, coupler, loader fitting
500-E	Lever Gun with Hose	10,000 psi	1 oz/21 strokes	16 oz	18" flexible hose, coupler, loader fitting
500-L	Lever Gun, High Capacity	10,000 psi	1 oz/21 strokes	24 oz	Rigid extension, coupler, loader fitting



**PROFESSIONAL SERIES**

**Pistol Grip Guns**

FEATURES:

- Develops up to 7,500 psi pressure
- Simple, quick priming – heavy duty follower spring to maintain prime
- Exclusive dual leverage feature – volume or pressure mode
- Ergonomic, rugged cast handle
- Universal follower for cartridge and bulk use
- Reliable, long lasting coupler
- Bleeder valve



**555**



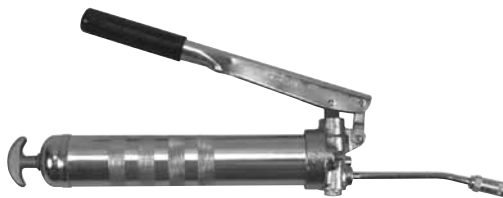
**555-E**

Product #	Description	Pressure	Delivery	Cylinder Capacity	Included Items
555	Pistol Grip Gun	7,500 psi	1 Oz/30 strokes (high volume mode)	16 Oz	Rigid extension and coupler
555-E	Pistol Grip Gun	7,500 psi	1 Oz/30 strokes (high volume mode)	16 Oz	18" flexible hose and coupler

**High Volume Guns**

FEATURES:

- Develops up to 1,800 psi pressure
- High output per stroke
- Patented follower allows cartridge or bulk loading without gun disassembly
- Cast iron head for durability
- Vinyl cover for a comfortable and sure grip
- 3 way loading (14 ounce cartridge, suction, or fast refill from Alemite Loader Pump)



**4015-A4**



**4015-B4**

Product #	Description	Pressure	Delivery	Cylinder Capacity	Included Items
4015-A4	Lever Gun, High Volume	1,800 psi	1 oz/7 strokes	16 oz	Rigid extension and coupler
4015-B4	Lever Gun, High Volume	1,800 psi	1 oz/7 strokes	24 oz	Rigid extension and coupler

**HEAVY DUTY SERIES**

Alemite Heavy Duty Series Grease Guns are made for the lubrication professional, providing guaranteed performance in severe conditions. Alemite Heavy Duty Grease Guns have die cast steel or cast iron heads, and rugged body and follower construction to meet the toughest lubrication challenges.

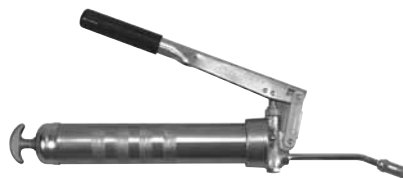
**Heavy Duty - Lever**

**FEATURES:**

- Develops up to 10,000 psi pressure
- Dual Lever mechanism allows for high volume output or high pressure delivery.
- Patented follower allows cartridge or bulk loading without gun disassembly
- Die cast steel head for exceptional durability
- Vinyl cover for a comfortable and sure grip
- 3 way loading (14 ounce cartridge, suction, or fast refill from Alemite Loader Pump)
- Bleeder valve
- Zinc plated finish
- Gun outlet – 1/8" NPTF



**1056-S4**



**1056-SE4**



**1056-LE4**

Product #	Description	Pressure	Delivery	Cylinder Capacity	Included Items
1056-S4	Lever Gun, Heavy Duty	10,000 psi	1 oz/16 strokes (high volume mode) 1 oz/25 strokes (high pressure mode)	16 oz	Extensions available
1056-SE4	Lever Gun, Heavy Duty	10,000 psi	1 oz/16 strokes (high volume mode) 1 oz/25 strokes (high pressure mode)	16 oz	Rigid extension and coupler
1056-LE4	Lever Gun, Heavy Duty	10,000 psi	1 oz/16 strokes (high volume mode) 1 oz/25 strokes (high pressure mode)	24 oz	Rigid extension and coupler

## HEAVY DUTY SERIES

### Heavy Duty - Extra Long Solid Lever

FEATURES:

- Develops up to 10,000 psi pressure
- Extra long solid lever for maximum leverage
- Large capacity 24 ounce cylinder
- Cast iron head for durability
- 3 way loading (14 ounce cartridge, suction, or fast refill from Alemite Loader Pump)
- Bleeder valve
- Zinc plated finish
- Gun outlet – ¼” NPTF



**6243-J3**



**6243-J3E**



**6679-J3**



**6679-J3E**

Product #	Description	Pressure	Delivery	Cylinder Capacity	Included Items
6243-J3	Lever Gun, Heavy Duty, Large Lever	10,000 psi	1 oz/20 strokes	24 oz	Check valve and loader fitting
6243-J3E	Lever Gun, Heavy Duty, Large Lever	10,000 psi	1 oz/20 strokes	24 oz	Rigid extension and coupler, loader fitting
6679-J3	Lever Gun, Heavy Duty, Large Lever	5,000 psi	1 oz/10 strokes	24 oz	Check valve and loader fitting
6679-J3E	Lever Gun, Heavy Duty, Large Lever	5,000 psi	1 oz/10 strokes	24 oz	Rigid extension and coupler, loader fitting

## HIGH PRESSURE SERIES

Alemite High Pressure Series Grease Guns will develop up to 15,000 psi pressure, and are designed to perform in harsh environments. In addition to grease, they are suitable to dispense sealants and other similar fluids. All steel construction ensures long life and reliability.

### High Pressure Guns

**FEATURES:**

- Develops up to 15,000 psi pressure
- Cast iron head for durability
- Dispense very viscous lubricants
- Extra long solid lever for maximum leverage
- Fast loading through loader fitting using Alemite Loader Pump
- Bleeder valve
- Zinc plated
- Gun outlet – ¼” NPTF
- Available with gauge to allow monitoring of output pressure



**6268-2**



**325540-1**



**325540-2**

Product #	Description	Pressure	Delivery	Cylinder Capacity	Included Items
6268-2	Lever Gun, High Pressure	15,000 psi	1 oz/24 strokes	12 oz	N/A
325540-1	Lever Gun, High Pressure with Hose Assembly and Gauge	15,000 psi	1 oz/24 strokes	12 oz	Carrying strap, relief valve, giant button head coupler, 2 swivels (B52750, B52752), high pressure “T”, gauge hose assembly and adapter
325540-2	Lever Gun, High Pressure with Hose Assembly and Gauge	15,000 psi	1 oz/24 strokes	12 oz	Carrying strap, Saf-T-Vent coupling, 2 swivels (B52750, B52752), high pressure “T”, gauge hose assembly and adapter

## SPECIALTY SERIES

Alemite Specialty Series Grease Guns provide an array of guns meeting unique requirements for special applications, building on Alemite's 90 years of leadership in grease gun design.



**C600**

### Screw Type Guns

The original Alemite grease gun, designed for most types of pressure gun lubricants. Turning the screw handle dispenses a controlled amount of lubricant.

**FEATURES:**

- 8 ounce capacity
- Gun outlet – 1/8" NPTF
- Requires Alemite rigid extension (339570) or flexible extension with coupler (B6703-A)

Product #	Description	Pressure	Delivery	Cylinder Capacity
C600	Screw Type Compressor Gun	NA	NA	8 oz



**F100**

### Pneumatic Guns

The Alemite Pneumatic Grease Gun offers simple, trouble free air operation with a trigger mechanism to dispense grease.

**FEATURES:**

- Develops up to 6,000 psi pressure
- Delivers 1 ounce per 7 cycles
- 3 way loading (14 ounce cartridge, suction, or fast refill from Alemite Loader Pump)
- Bleeder valve
- Rigid extension and coupler included

Product #	Description	Pressure	Delivery	Cylinder Capacity	Included Items
F100	Pneumatic Gun	6,000 psi	1 oz/7 cycles	16 oz	Rigid extension and coupler



**F105**

### Suction Guns

The Alemite Suction Gun is used for draining non-corrosive lubricants.

**FEATURES:**

- 16 ounce capacity
- 12" flexible vinyl hose included

Product #	Description	Pressure	Delivery	Cylinder Capacity	Included Items
F105	Suction Gun	NA	NA	16 oz	12" flexible vinyl hose

## SPECIALTY SERIES

### Oil Guns

Alemite's Heavy Duty Lever Oil Gun is specially designed for use with oil. The gun may be used to lubricate bearings, or to pre-charge hydraulic cylinders. Load the gun by pouring oil directly into the cylinder.



**4035**

**FEATURES:**

- Develops up to 1,800 psi pressure
- Delivers 1 ounce per 7 strokes
- Large, 26 ounce capacity
- Buna-N seals are compatible with most oils
- Rigid extension and coupler included

Product #	Description	Pressure	Delivery	Cylinder Capacity	Included Items
4035	Lever Oil Gun	1,800 psi	1 oz/7 strokes	26 oz	Rigid extension and coupler

### Push Type Guns

Alemite Push Type Grease Guns provide fast volume grease delivery, and may be used with hydraulic and flush type fittings.



**7584**

**FEATURES:**

- Develops up to 4,200 psi pressure
- 9 ounce capacity
- Efficient loading through loader fitting
- Model 7584 includes hydraulic coupler (308730)
- Model 7584-F includes flush type nozzle (Z737)
- Model 7584-Z includes push type nozzle (Z334)

Product #	Description	Pressure	Delivery	Cylinder Capacity	Included Items
7584	Push Type Gun	4,200 psi	Fast volume delivery	9 oz	Hydraulic coupler (308730)
7584-F	Push Type Gun	4,200 psi	Fast volume delivery	9 oz	Flush type nozzle (Z737)
7584-Z	Push Type Gun	4,200 psi	Fast volume delivery	9 oz	Push type nozzle (Z334)

### STANDARD DUTY SERIES

Alemite Standard Duty Series Grease Guns are available in lever or pistol style, and are designed for most low and medium pressure applications.

#### Standard Lever Guns

**FEATURES:**

- Develops up to 4,500 psi (model F101) or 8,000 psi (model F106) pressure
- Rigid extension and coupler included



Product #	Description	Pressure	Cylinder Capacity	Included Items
F101	Lever Gun	4,300 psi	14 oz	Rigid extension and coupler
F106	Lever Gun	8,000 psi	14 oz	Rigid extension and coupler

#### Standard Pistol Grip Guns

**FEATURES:**

- Develops up to 4,500 psi (model F103) or 2,900 psi (model F104) pressure
- 2 way loading – cartridge or suction
- Includes rigid extension and coupler
- Mini Pistol Grease Gun (model F104) uses 3 ounce cartridges (B408, 3-pack) and is small enough to fit easily into a tool box or storage compartment



Product #	Description	Pressure	Cylinder Capacity	Included Items
F103	Pistol Gun	4,500 psi	14 oz	Rigid extension and coupler
F104	Pistol Gun, Mini	2,900 psi	3 oz	3 oz grease cartridge, rigid extension and coupler

## GREASE GUN ACCESSORIES

Alemite offers a large selection of high quality accessories to ensure durable, reliable performance.

### Rigid Extensions



6279



6638-B

**FEATURES:**

- Easy to use triple jaw hydraulic coupler ends for a superior seal – slight pushing action snaps jaws onto fittings
- Designed to allow wide 25° leak proof sealing angle
- Various lengths permit ease of attachment to hydraulic fittings
- Ends are 1/8” NPTF(m)

Product #	Length	Coupler	Extension	Use with Gun Model
6279	21”	6304-B	NA	All
B6638	6 3/4”	6304-B	53986	All
B6638-A	6 5/8”	308730	53986	All
6638-B	12 1/8”	308730	NA	All
54269	8”	6304-B	NA	6243-J3, 6679-J3

### Extension Hoses



B337595-A1



317850-2

**FEATURES:**

- 1/8” NPTF(m) ends
- 12,000 psi burst pressure

Product #	Length	Working Pressure	Hose Type	Hose End
B337595-A1	12”	6,000 psi	Thermoplastic	1/8” NPTF(m)
B337595-B1	18”	6,000 psi	Thermoplastic	1/8” NPTF(m)
B317850-1	12”	4,800 psi	Elastomeric	1/8” NPTF(m)
317850-1F	18”	4,800 psi	Elastomeric	1/8” NPTF(m)
317850-2	24”	4,800 psi	Elastomeric	1/8” NPTF(m)
317850-3	36”	4,800 psi	Elastomeric	1/8” NPTF(m)

**WARNING**

For use with hand-operated grease guns only. The pressure rating on these hose assemblies applies when used with hand-operated grease pumping equipment ONLY, such as grease guns or bucket pumps. DO NOT use with power-operated equipment. Rupture of the hose can result in serious injury such as fluid injection into the flesh. For powered equipment, refer to adapters and swivel devices, which can be safely used where rapid pressure rises are encountered.



**GREASE GUN ACCESSORIES**

**Hose Assemblies for Hydraulic Fittings**



Product #	Length	Coupler	Hose	Working Pressure	Hose End
B6703-A	12"	308730	317850-I	4,800 psi	1/8" NPTF(m)
6703-B	18"	308730	317850-IF	4,800 psi	1/8" NPTF(m)
B6652-A	12"	6304-B	317850-I	4,800 psi	1/8" NPTF(m)
6654-A	18"	6304-B	317850-IF	4,800 psi	1/8" NPTF(m)

**Hose Assemblies for Standard Button Head Fittings**



Product #	Length	Coupler	Swivel	Hose	Working Pressure	Hose End
7089	12"	42030-A	301980	317850-I	4,800 psi	1/8" NPTF(m)

**Hose Assemblies for Giant Button Head Fittings**

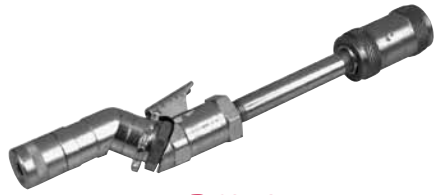
Product #	Length	Coupler	Swivel	Hose	Working Pressure	Hose End
6704-A	12"	304300-A	301980	317850-I	4,800 psi	1/8" NPTF(m)
6704-B	18"	304300-A	301980	317850-IF	4,800 psi	1/8" NPTF(m)

**WARNING**

For use with hand operated grease guns only

**GREASE GUN ACCESSORIES**

**Adapters, Extensions and Injector Needles**



**B6278**



**6248-1**



**B6783**



**B203**



**B6239**



**B201**



**B205**



**B200**



**B411**



**6778**



**B6238**



**B336770**

Product #	Description
B6278	Swivel Adapter, 10,000 psi working pressure
6248-1	Flexible Extension Adapter, 1 1/2" 1,000 psi working pressure
B6239	Hydraulic Push Type Adapter
B6238	90° Angle Adapter
B203	90° Angle Adapter
B201	Narrow Needle Nose Adapter, 1 1/2" Length
B202	Narrow Needle Nose Adapter, 4" Length
B6783	Needle Nose Adapter
B205	360° Adapter, 7,000 psi working pressure, 8 positions
B411	Rubber Tipped Adapter
6778	Rigid/Flexible Extension, 1 3/2", 5,000 psi working pressure
B336770	Injector Needle for sealed bearing and CV joints
B200	Injector Needle for sealed bearings

**GREASE GUN ACCESSORIES**

**Loader Fittings and Couplers**



**B306470/ B322610**

**B306470**

Loader Fitting

FEATURES;

- For use with light to medium weight lubricants
- One piece construction
- Includes medium ball check passage
- Fit grease guns with 1/8" NPTF(f) port in head – remove plug and install.

**B322610**

FEATURES;

- For use with heavy lubricants
- One piece construction
- Includes large ball check passage
- Fit grease guns with 1/8" NPTF(f) port in head – remove plug and install.



**306741**

**306471**

FEATURES;

- For installation on loader pumps
- Use with loader fittings B306740 and B322610
- 3/8" NPTF(m) thread

**Other Grease Gun Accessories**



**F331035**

**F331035**

Grease Gun Holder

FEATURES:

- For wall mounting Alemite Professional Series and Standard Series Grease Guns
- Corrosion resistant finish

**B408**

3 Ounce Grease Cartridges

FEATURES:

- Use with F104 Mini Pistol Grip Grease Gun
- 3 cartridges per package



SECTION TWO  
**PUMPS**



- ▶ Oil
- ▶ Grease
- ▶ Manual
- ▶ Chemical & Material Handling
- ▶ Diaphragm
- ▶ Electric
- ▶ Accessories

Alemite offers a selection of pumps to meet your fluid handling and dispensing needs. Each pump is designed to deliver reliable, consistent performance to keep your operation running smoothly.

## OIL PUMPS

Alemite Oil Pumps are ideal for applications where fluids are piped to multiple outlets. Combined with Alemite Hose Reels, Dispensing Valves and Meters, Alemite Oil Pumps deliver motor oils, gear oils, cutting oils, hydraulic oils, machine coolants, automatic transmission fluids and a wide range of petroleum based fluids from tanks, drums, totes and pails. Alemite Oil Pumps can be used for bulk transfer or direct delivery from the original container.

### Pneumatic RAM - Stationary

Alemite Stationary RAM Pumps deliver fast, quiet and efficient operation, and are rugged enough to handle challenging oil applications. RAM pumps are durable, and can operate at rates up to 20 gallons per minute.



**9968**

#### FEATURES:

- Handles fluids up to SAE 140
- Meets OSHA noise requirements (85dB)
- 3" diameter air motor
- Will mount to 1 1/2" suction pipe from remote tank (1" for model 9970)
- Recommended for piped installations of short to moderate length
- Easy serviceability
- 1/4" air inlet

Product #	Drum Size	Material Inlet	Material Outlet	Pump Ratio	Delivery	Bung Adapter	Weight
9916-A1	Stub	1 1/2" NPTF(f)	1/2" NPTF(f)	1:1	16 gpm	Integral	17 Lb.
9918-A	Stub	1 1/2" NPTF(f)	1/2" NPTF(f)	3:1	9 gpm	Integral	17 Lb.
9920	N/A	1" NPTF(f)	1" NPTF(f)	1:1	20 gpm	No	18 Lb.
9960	16 gallon	1 1/2" NPTF(f)	1/2" NPTF(f)	5:1	7 gpm	326750-B1	18 Lb.
9960-A (1) (2)	16 gallon	1 1/2" NPTF(f)	1/2" NPTF(f)	5:1	7 gpm	No	17 Lb.
9968	Stub	1 1/2" NPTF(f)	1/2" NPTF(f)	5:1	7 gpm	326750-B1	14 Lb.
9968-A	Stub	1 1/2" NPTF(f)	1/2" NPTF(f)	5:1	7 gpm	No	17 Lb.
9969-B (2)	55 gallon	1 1/2" NPTF(f)	1/2" NPTF(f)	5:1	7 gpm	326750-B1	18 Lb.
9970	Stub	1" NPTF(f)	3/8" NPTF(f)	10:1	3.5 gpm	326750-E1	11 Lb.

(1) Includes drum cover

(2) Includes downtube

**OIL PUMPS**

**Pneumatic RAM - Portable**

Alemite's Portable RAM Pump provides fast, quiet and efficient operation, and is recommended for use with gear oils.



**FEATURES:**

- 4 gallon per minute delivery (SAE 140 gear oil, 150 psi)
- Meets OSHA noise requirements (85dB)
- 3" diameter air motor
- Built in control valve holster, to keep hose and handle safely off of floor
- Steel dolly with durable casters
- Dispensing valve (included) designed for hard to reach areas, such as vehicle rear axles
- Easy serviceability
- ¼" air inlet

**Includes**

- Drum Cover (338145)
- Control Valve (7492)
- 5 ½' Material Hose (317813-5F)
- In line Electronic Meter (3679)
- Steel Dolly (316315-5)

Product #	Air Inlet	Drum Size	Pump Ratio	Delivery	Bare Pump	Weight
9961-1	1/4" NPTF(f)	16 gallon/120 Lb.	5:1	4 gpm	9968-A	40 Lb.

**Pneumatic - Standard Duty**

Alemite H-Pumps are designed for medium pressure industrial applications, featuring exceptional reliability and service life.



**FEATURES:**

- 2 7/16" diameter air motor
- Handles 10, 20 and 30W oils
- Will mount to 1 ½" suction tube from remote tank
- Double toggle air valve trip mechanism prevents binding or stalling
- Corrosion resistant chrome finish on piston rods reduces packing wear
- Center flow, micro-lapped high pressure air valve provides very long life
- Self aligning, heavy acme threads provide safely locked linkage
- Requires appropriate downtube

Product #	Drum Size	Material Inlet	Material Outlet	Pump Ratio	Delivery	Bung Adapter	Weight
8568-A4	Stub	1 1/2" NPTF(f)	3/8" NPTF(f)	4:1	3 gpm	326750	14 Lb.

**OIL PUMPS**

**Pneumatic - Industrial**

Alemite Industrial Pumps are designed to deliver fluids through long delivery lines or to multiple dispensing points, and are built for continuous use.



**7783-A4**

**FEATURES:**

- 4 ¼” – 6” diameter air motor
- Recommended for pumping distances over 100 feet
- Includes Air Connector and Quick Detach Air Coupler
- Requires Bung Adapter, Cover and Muffler (not included, refer to table below)
- Requires appropriate downtube
- ¾” air inlet and outlet

Product #	Drum Size	Material Inlet	Material Outlet	Pump Ratio	Delivery	Cover	Bung Adapter	Muffler	Weight
7783-A4	55 gallon	NA	1/2” NPTF(f)	6:1	10 gpm	323847-4	326750-B1	324170	55 Lb.
7783-C4	Stub	1 1/2” NPTF(f)	1/2” NPTF(f)	6:1	10 gpm	Varies with drum size*	326750-B1	324170	45 Lb.
7793-A1	55 gallon	NA	1/2” NPTF(f)	12:1	6.5 gpm	323847-4	326750-B1	324170	75 Lb.
7793-C	Stub	1 1/2” NPTF(f)	1/2” NPTF(f)	12:1	6.5 gpm	Varies with drum size*	326750-B1	324170	65 Lb.

\*See page 42 & 43 for Cover information.

**GREASE PUMPS**

Alemite Grease pumps are designed to handle a wide range of applications, fluid viscosities and system pressures. Combined with Alemite Hose Reels, Dispensing Valves and Meters, Alemite Grease Pumps deliver lubricant from tanks, drums, totes and pails.

**Pneumatic RAM - Stationary**

Alemite Stationary RAM Pumps deliver fast, quiet and efficient operation. Capable of delivery up to 4.5 pounds per minute, RAM double acting grease pumps reduce line pulsation and allow lower operating pressure. They are designed for piped installations of moderate length.

FEATURES:



**9950-A1**

- 3” diameter air motor
- Recommended for piped installations up to 150 feet
- Meets OSHA noise requirements (85dB)
- Easy 360° adjustment of material outlet and air inlet
- May be used with or without lubricator
- Easy access air motor and spool – without removing downtube
- Flexible follower for straight or tapered containers
- Metric RAM pumps meet European CE standards
- Easy serviceability
- Air Inlet: 1/4” NPTF(f)

Product #	Drum Size	Material Outlet	Pump Ratio	Delivery	Follower	Cover	Weight
9940	120 Lb.	3/8” NPTF(f)	70:1	3.25 Lb./minute	338802	338371	28 Lb.
9949	400 Lb.	3/8” NPTF(f)	70:1	3.25 Lb./minute	338911	338163	32 Lb.
9950-I	120 Lb.	3/8” NPTF(f)	50:1	4.5 Lb./minute	338802	338371	19 Lb.
9950-A1	120 Lb.	3/8” NPTF(f)	50:1	4.5 Lb./minute	338802 (included)	338371 (included)	32 Lb.
9979	400 Lb.	3/8” NPTF(f)	50:1	4.5 Lb./minute	338911	338163	25 Lb.
9979-A	400 Lb.	3/8” NPTF(f)	50:1	4.5 Lb./minute	338911 (included)	338163 (included)	49 Lb.
9950-C1	20 Kg.	3/8” NPTF(f)	50:1	2.04 Kg./minute	338992	338982	18 Lb.
9950-I	50 Kg.	3/8” NPTF(f)	50:1	2.04 Kg./minute	338802	338371	19 Lb.
9950-D1	180 Kg.	3/8” NPTF(f)	50:1	2.04 Kg./minute	338911	338984	23 Lb.
9930	Bulk	3/8” NPTF(f)	50:1	4.5 Lb./minute	Not required	Not required	16 Lb.



**GREASE PUMPS**

**Pneumatic RAM - Portable**

Alemite's Portable RAM Pump provides fast, quiet and efficient operation. Many models come equipped with accessories required for quick, easy installation and set up.



**FEATURES:**

- 3" diameter air motor
- Meets OSHA noise requirements (85dB)
- Flexible follower for straight or tapered containers
- ¼" air inlet
- Easy serviceability

Product #	Drum Size	Material Outlet	Pump Ratio	Delivery	Follower	Cover	Bare Pump	Dolly	Weight
9911-A1*	35 Lb./70 Lb. Bulk	3/8" NPTF(f)	50:1	4.5 Lb./minute	337665/ 338802	323496-A4	9911-RI	393629	68 Lb.
9911-J*	35 Lb.	3/8" NPTF(f)	50:1	4.5 Lb./minute	337665	338166	9950-CI	NA	29 Lb.
9911-HI*	35 Lb.	3/8" NPTF(f)	50:1	4.5 Lb./minute	337665	338166	9950-CI	NA	25 Lb.
9911-ZI*	35 Lb.	3/8" NPTF(f)	50:1	4.5 Lb./minute	337665	338166	9911-I	338958	50 Lb.
9941	120 Lb.	3/8" NPTF(f)	70:1	3.25 Lb./minute	338802	338371	9940	316315-5	54 Lb.
9951-I*	120 Lb.	3/8" NPTF(f)	50:1	4.5 Lb./minute	338802	338371	9950-I	316315-5	50 Lb.
9951-SI*	120 Lb.	3/8" NPTF(f)	50:1	4.5 Lb./minute	338802	338371	9950-I	NA	37 Lb.
9951-TI*	120 Lb.	3/8" NPTF(f)	50:1	4.5 Lb./minute	338802	338371	9950-I	338958	57 Lb.
9911-HBI*	20 Kg.	3/8" NPTF(f)	50:1	2.04 Kg./minute	338992	338982	NA	338958 (not included)	50 Lb.
9911-HCI*	50 Kg.	3/8" NPTF(f)	50:1	2.04 Kg./minute	338993	338983	NA	338958 (not included)	50 Lb.
9911-CI	35 Lb.	3/8" NPTF(f)	50:1	2.04 Kg./minute	337665	338166	9911-I	NA	21 Lb.

\*Includes control valve (6320-3), 7' material hose (317875-7) and Z swivel (52752)

**GREASE PUMPS**

**Pneumatic Standard Duty - Stationary**

Alemite H Pumps are designed for intermittent use in medium or high pressure industrial applications. Double acting H Pumps handle lightweight and fibrous lubricants.



**8549-B1**

**FEATURES:**

- Dynamic primer – ensures efficient handling of light to heavy multi-purpose greases
- 2-7/16 (50:1) - 3” (70:1) diameter air motor
- Double toggle air valve trip mechanism prevents binding or stalling
- Corrosion resistant chrome finish on piston rods reduces packing wear
- Center flow, micro-lapped high pressure air valve provides very long life
- Flexible follower for straight or tapered containers
- Self aligning, heavy acme threads provide safely locked linkage
- Recommended for moderate length pipe installations
- ¼” air inlet
- Delivery in table based on NLGI #2 at 77°F, 150 psi

**Included items (8540 series)**

- Pressurtrol (319800-1), to limit air supply to the pump when pressures reach designated level (factory set at 7,500 psi)
- Models 8549-B1 and 8559-B include Air Connector, Quick Detach Air Coupler and Bung Adapter

Product #	Material Outlet	Pump Ratio	Delivery	Follower	Container Size	Cover	Bare Pump	Weight
8549-C	3/8” NPTF(f)	70:1	1.8 Lb./minute	338911	400 Lb.	318040-4	331378-B1	35 Lb.
8549-B1	3/8” NPTF(f)	70:1	1.8 Lb./minute	338911	400 Lb.	318040-4	331378-B1	35 Lb.
8540-B	3/8” NPTF(f)	70:1	1.8 Lb./minute	338802	120 Lb.	338371	331378-A1	32 Lb.
8540-A1	3/8” NPTF(f)	70:1	1.8 Lb./minute	338802 (included)	120 Lb.	338371 (included)	331378-A1	35 Lb.
331378-E1	3/8” NPTF(f)	70:1	1.8 Lb./minute	338991	12.5 Kg	338981	NA	13.2 Kg.
331378-F1	3/8” NPTF(f)	70:1	1.8 Lb./minute	338991	12.5 Kg	338981	NA	13.6 Kg.
331378-H1	3/8” NPTF(f)	70:1	1.8 Lb./minute	338992	20 Kg	338982	NA	14.1 Kg.
8559-B	3/8” NPTF(f)	50:1	2.5 Lb./minute	338911	400 Lb.	318040-4	331380-B5	35 Lb.
8550-A1	3/8” NPTF(f)	50:1	2.5 Lb./minute	338802 (included)	120 Lb.	338371 (included)	331380-A5	35 Lb.
331380-E1	3/8” NPTF(f)	50:1	2.5 Lb./minute	338991	12.5 Kg	338981	NA	13.6 Kg.
331380-M1	3/8” NPTF(f)	50:1	2.5 Lb./minute	338992	20 Kg	338982	NA	14.1 Kg.

**GREASE PUMPS**

**Pneumatic Standard Duty - Portable**

Alemite Portable H Pumps are designed for intermittent use in medium or high pressure industrial applications, providing easy portability. Double acting H Pumps handle lightweight and fibrous lubricants.



**8541-5**

**FEATURES:**

- ¼" NPSI air inlet
- Versatile, durable pump which will deliver a range of light to heavy fluids
- Recommended accessories:
- Single Post Hoist (2741-4 or 2742-4)
- Adapter Plate (322593) for use with hoist



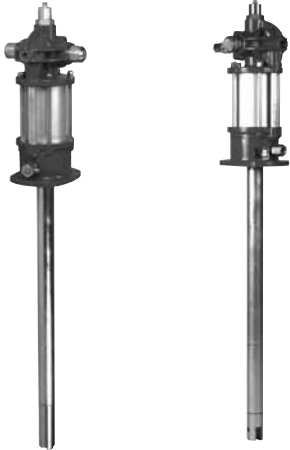
**8553-2**

Product #	Material Outlet	Pump Ratio	Delivery	Follower	Container Size	Cover	Weight
8541-5	3/8" NPTF(f)	70:1	1.8 Lb./minute	338802 (included)	120 Lb.	338371	57 Lb.
8553-2	3/8" NPTF(f)	26:1	0.75 Gal/minute	337665 Flexible (included)	35 Lb.	338166	41 Lb.

**GREASE PUMPS**

**Pneumatic Industrial**

Alemite Industrial Pumps can deliver hard to pump fluids and viscous lubricants up to NLGI #3. Built for continuous duty, these double acting pumps are consistent, reliable, and maintain pressure over long distances.



**7784-A4**

**7786-A5**

**FEATURES:**

- 4 ¼” standard air motor (6” air motor for 7795-A5, 7795-B5, 7736)
- 7784-A4 is specifically designed for heavy gear oil and lubricants up to NLGI #1
- Tote tank pumps designed for horizontal mounting and space constraints
- Recommended for pumping distances over 100 feet
- ¾” NPTF air inlet

**Includes:**

- Air Connector
- Quick Detach Air Coupler
- Tote tank pumps include male 3” Cam Lock Adapter for mounting pump to bulk grease container
- Recommended accessories:
- Union (non-bulk models) (321155)
- Bung Adapter (326750-B1)
- Air Hose (317811-5)

Product #	Drum Size	Material Outlet	Pump Ratio	Delivery	Follower	Cover	Operating Pressure	Muffler	Material Hose	Weight
7784-A4	400 Lb.	1/2” NPTF(f)	25:1	32 lb./minute	338912	323847-4	200 psi	324170	317882-7	68.6 Lb.
7785-A5	400 Lb.	1/2” NPTF(f)	40:1	22 lb./minute	338912	323847-4	200 psi	324170	317882-7	77 Lb.
7785-B5	120 Lb.	1/2” NPTF(f)	40:1	22 lb./minute	338804	323800-4	200 psi	324170	317882-7	67 Lb.
7786-A5	400 Lb.	1/2” NPTF(f)	75:1	12 lb./minute	338912	323847-4	100 psi	324170	317882-7	69.4 Lb.
7786-C	120 Lb.	1/2” NPTF(f)	75:1	12 lb./minute	338804	323800-4	100 psi	324170	317882-7	66.6 Lb.
7795-A5	400 Lb.	1/2” NPTF(f)	80:1	13 lb./minute	338912	323847-4	100 psi	324170	317882-7	77 Lb.
7795-B5	120 Lb.	1/2” NPTF(f)	80:1	13 lb./minute	338804	323800-4	100 psi	324170	317882-7	74.6 Lb.
7736	Bulk	1 ¼” NPTF(f)	11:1	86 lb./minute	NA	NA	100 psi	324170	317813-5+ 339661	70 Lb.
7730	Bulk	1/2” NPTF(f)	75:1	12.5 lb./minute	NA	NA	100 psi	324170	317876-5	62 Lb.

**GREASE PUMPS**

**Electric Grease Pumps**

Alemite's Electric Grease Pump – “Rockcrusher” – is designed for heavy duty industrial and mining applications, where compressed air or hydraulic service is not available.



**7175-R4**

Electric Grease Pump

FEATURES:

- 115V, 50/60 Hz ¾ HP motor
- 25' 3 wire electric cable
- Recommended for use with 25' of hose or less
- Helix arm assembly provides positive feed for thick lubricants at low pressures
- No follower plate required

Includes:

- 10' Hose
- Z Swivel (B52752)
- Control Valve (6320-3)

Product #	Container Capacity	Maximum Pressure	Delivery	Weight
7175-R4	40 Lb.	5,000 psi (built in switch shuts off motor)	14 oz./minute (NLGI#1 grease, 70°F)	168 Lb.

**GREASE PUMPS**

**Hydraulic**

Alemite's Hydraulic Grease Pump provides a high quality, cost effective solution for delivering grease without the need for compressed air. Offered in configurations for 35 Lb., 120 Lb., and 400 Lb. containers, with or without flow controls, and optional vent return models for centralized lubrication systems, the Alemite Hydraulic Pump is an excellent choice for lubrication systems.



**8700-A**

**FEATURES:**

- Hydraulic powered
- Compact footprint
- Sturdy, reliable construction

Product #	Description/Container Size	Input Pressure	Output Pressure	Delivery	Input Flow	System Pressure	Max Hydraulic Fluid Temperature	Weight
8700-A	35 Lb.	600PSI	7500PSI	16oz/min	2.5GPM	3,500 psi max	200F	34 Lb.
8700-B	120 Lb.	600PSI	7500PSI	16oz/min	2.5GPM	3,500 psi max	200F	36 Lb.
8700-C	400 Lb.	600PSI	7500PSI	16oz/min	2.5GPM	3,500 psi max	200F	38 Lb.
8702-A	35 Lb. with vent return	600PSI	7500PSI	16oz/min	2.5GPM	3,500 psi max	200F	34 Lb.
8702-B	120 Lb with vent return	600PSI	7500PSI	16oz/min	2.5GPM	3,500 psi max	200F	36 Lb.
8702-C	400 Lb with vent return	600PSI	7500PSI	16oz/min	2.5GPM	3,500 psi max	200F	38 Lb.
8700-A1	35 Lb., with cover and follower	600PSI	7500PSI	16oz/min	2.5GPM	3,500 psi max	200F	37 Lb.
8700-B1	120 Lb., with cover and follower	600PSI	7500PSI	16oz/min	2.5GPM	3,500 psi max	200F	39 Lb.
8700-C1	400 Lb., with cover and follower	600PSI	7500PSI	16oz/min	2.5GPM	3,500 psi max	200F	41 Lb.
8702-A1	35 Lb. with vent return, cover and follower	600PSI	7500PSI	16oz/min	2.5GPM	3,500 psi max	200F	37 Lb.
8702-B1	120 Lb with vent return, cover and follower	600PSI	7500PSI	16oz/min	2.5GPM	3,500 psi max	200F	39 Lb.
8702-C1	400 Lb with vent return, cover and follower	600PSI	7500PSI	16oz/min	2.5GPM	3,500 psi max	200F	41 Lb.
340992	35 Lb., with control manifold	600PSI	7500PSI	16oz/min	2.5GPM	3,500 psi max	200F	46 Lb.
340993	120 Lb., with control manifold	600PSI	7500PSI	16oz/min	2.5GPM	3,500 psi max	200F	48 Lb.
340994	400 Lb., with control manifold	600PSI	7500PSI	16oz/min	2.5GPM	3,500 psi max	200F	50 Lb.
340997	35 Lb. with vent return and control manifold	600PSI	7500PSI	16oz/min	2.5GPM	3,500 psi max	200F	46 Lb.
340998	120 Lb with vent return and control manifold	600PSI	7500PSI	16oz/min	2.5GPM	3,500 psi max	200F	48 Lb.
340999	400 Lb with vent return and control manifold	600PSI	7500PSI	16oz/min	2.5GPM	3,500 psi max	200F	50 Lb.
340989	Control Manifold	NA	NA	NA	NA	NA	NA	10 Lb.
340558	Vent Valve	NA	NA	NA	NA	NA	NA	5 Lb.

## MANUAL PUMPS

Alemite Manual Pumps are simple to operate and require no electricity or compressed air. Alemite offers a variety of models fitting 25 Lb. pails up to 400 Lb. drums.

### Bucket Pumps



**7181-4**

### 7181 Series

FEATURES:

- Adjustable lever adapts pump to lubricant type and operating conditions
- Includes 2 check valves – one at the bottom located on rod, and a second valve mid-way in the tube for increased volume
- Recommended accessories:
- Hose Assembly (317854-5F)
- Portable Cart (6777-5)



**7149-4**

**7149-T**

### 7149 Series

FEATURES:

- Multi-Pressure capability
- Adjustable lever with 3 positions to adapt pump to lubricant type and operating conditions
- Recommended accessories:
- Hose Assembly – Hydraulic Narrow Fitting (322434)
- Hose Assembly – Hydraulic Standard Coupler (6617-G)
- Hose Assembly – Giant Button Head (6615-G)
- Hose Assembly – Standard Button Head (6616-G)
- Portable Cart (6777-5)



**6713-4**

### 6713-4

FEATURES:

- High Pressure to deliver oil and grease up to NLGI #3.
- Manually operated pressure relief valve relieves pressure without removing connection to lubrication point
- Recommended accessories:
- Follower Plate (314898)
- Portable Cart (6777-5)
- Hose Assembly (317875 series)
- Gauge (317150)
- T (309727)
- Button Head Coupler (319702)
- Swivel (B52750)
- Saf-T-Vent Coupling (310428)

**MANUAL PUMPS**

7531 Series

FEATURES:

- Delivers greases up to NLGI #3
- For use with standard or tapered pails
- Mounts directly to original 35 lb. container



**7531-4**

Product #	Description	Materials	Outlet	Capacity	Delivery per Stroke	Pressure	Included Items	Weight
7181-4	High Volume Bucket Pump	Oil, Grease	3/8" NPTF(f)	3.7 Gallons	1 oz.	up to 500 psi	Check valves, Container	19 Lb.
7181-K	High Volume Bucket Pump Assembly with Hose and Nozzle	Oil, Grease	3/8" NPTF(f)	3.7 Gallons	1 oz.	up to 500 psi	Hose Assembly (371807-5F), Nozzle Assembly (306610), Container	20 Lb.
7149-4	Multi Pressure Bucket Pump	Oil	3/8" NPTF(f)	5 Gallons	1/3 oz.	2,500 - 5,000 psi	Container	18 Lb.
7149-A4	Multi Pressure Bucket Pump Assembly	Oil	3/8" NPTF(f)	5 Gallons	1/3 oz.	2,500 - 5,000 psi	Hose Assembly (322434), Container	21 Lb.
7149-E4	Multi Pressure Bucket Pump Assembly	Oil	3/8" NPTF(f)	5 Gallons	1/3 oz.	2,500 - 5,000 psi	Hose and Coupler Assembly (6616-G), Buttonhead Fitting (A1188), Plug Button, Container	21 Lb.
7149-T	Multi Pressure Bucket Pump Assembly with Porta-Cart	Oil	3/8" NPTF(f)	5 Gallons	1/3 oz.	2,500 - 5,000 psi	Porta-Cart (6777-5), Container	32 Lb.
6713-4	High Pressure Bucket Pump	Oil, Grease (up to NLGI #3)	1/4" NPTF(f)	30 Lb.	0.0625 oz.	up to 15,000 psi	Container	
7531-4	Manual Grease Pump (for use with pails)	Grease (up to NLGI #3)	3/8" NPTF(f)	35 Lb.	0.20 oz.	up to 3,500 psi	Carrying Handle, 5' Hose and Coupler Assembly (322434), Flexible Follower Plate (337665) for use with standard or tapered pails	35 Lb.
7531-A4	Manual Grease Pump (for use with pails), metric	Grease (up to NLGI #3)	3/8" NPTF(f)	20 Kg.	0.20 oz.	up to 3,500 psi	Carrying Handle, 5' Hose and Coupler Assembly (322434), Flexible Follower Plate (337665) for use with standard or tapered pails, Cover (337729)	20 Kg.



**MANUAL PUMPS**

**Loader Pumps - Grease**

Alemite Grease Loader Pumps are used to fill loader fitting equipped grease guns quickly and efficiently. Loader Pumps reduce the chance for contaminants to be introduced into the grease container and lubrication points.



**7537-4**



**7538-4**



**7539-4**



**7118-1**

**FEATURES:**

- Pumps for 35 Lb., 120 Lb., and 400 Lb. containers
- Available with or without Cover and Follower Plate

Product #	Description	Drum Size	Delivery	Pressure	Included Items	Weight
7537-4	Volume Delivery Loader Pump	35 Lb. (standard or tapered pail)	1 Lb./6 strokes	500 psi	Cover (337729), Flexible Follower (338825), Loader Extension (317219), Loader Coupler (306741)	11 Lb.
7538-4	Volume Delivery Loader Pump	120 Lb.	1 Lb./6 strokes	500 psi	Cover (328245-4), Flexible Follower (338803), Loader Extension (317219), Loader Coupler (306741)	19 Lb.
7539-4	Volume Delivery Loader Pump	400 Lb.	1 Lb./6 strokes	500 psi	Recommended Items (Not Included): Drum Cover (318040-4), Follower Plate (338923), Dolly for 400lb. container (336899).	25 Lb.
7118-1	Standard Duty Loader Pump	25 Lb. and 35 Lb. pails	1 oz. per stroke	NA	Cover, Flexible Follower, Loader Coupler, Loader Fitting	6 Lb.

**MANUAL PUMPS**

**Oil Dispensing Pumps**

FEATURES:

- Compatible with oils and gear lubrication
- Attach directly to original container
- 2 lever positions to adjust delivery rate



**7533-4**



**7534-4**



**7535-4**



**8570-5**



**8571-5**



**7117-1**

Product #	Description	Drum Size	Outlet	Delivery per Stroke	Included Items	Weight
7533-4	Dual Leverage Pump	5 Gallon	1/2" NPTF(f)	2.6 oz.	5 1/2' Hose (317809-5F), Curved Nozzle (306610), Pail Cover	14 Lb.
7534-4	Dual Leverage Pump	16 Gallon	1/2" NPTF(f)	2.6 oz.	5 1/2' Hose (317809-5F), Curved Nozzle (306610), Drum Cover	17 Lb.
7535-4	Dual Leverage Pump	55 Gallon	1/2" NPTF(f)	2.6 oz.	5 1/2' Hose (317809-5F), Curved Nozzle (306610), 2" NPTF(m) Bung Adapter	13.8 Lb.
8570-5	Dual Leverage Pump	16 Gallon	1/2" NPTF(f)	2.6 oz.	5 1/2' Hose (317809-5F), Curved Nozzle (306610), Drum Cover, In-Line Electronic Meter (3679), Dolly (316315-5)	33 Lb.
8571-5	Dual Leverage Pump	16 Gallon	1/2" NPTF(f)	2.6 oz.	5 1/2' Hose (317809-5F), Curved Nozzle (306610), Drum Cover, In-Line Electronic Meter (3679), Filter (321203), Dolly (316315-5)	31.4 Lb.
7117-1	Standard Duty Pump	25 Lb. - 35 Lb. pails	NA	2.6 oz.	5' Hose, Curved Nozzle, Pail Cover Assembly	6 Lb.

**MANUAL PUMPS**

Alemite Manual Pumps are simple to operate and require no electricity or compressed air. Alemite offers a variety of models fitting 25 Lb. pails up to 400 Lb. drums.

**Other Manual Pumps**



**6796**

Telescoping Barrel Pump

FEATURES:

- Telescoping suction tube fits all containers up to 55 gallon drums
- Floating check valve allows liquids to drain back from pump when not in use



**F406**

Standard Duty Transfer Pump

FEATURES:

- Handles lubricants, solvents, industrial chemicals, additives and non-corrosive liquids



**F401**

Rotary Pump

FEATURES:

- Telescoping tube fits 16 and 55 gallon drums

Product #	Description	Drum Size	Delivery	Fluids	Weight
6796	Professional Duty Transfer Pump	up to 55 Gallons	12 oz. per stroke	Lubricants, solvents, thinners, automotive additives, chemicals, non-corrosive liquids	5 Lb.
F401	Rotary Pump	16 and 55 Gallons	8.5 oz. per stroke	Variety of petroleum products	15 Lb.
F406	Transfer Pump	15 to 55 Gallons	NA	Lubricants, solvents, industrial chemicals, additives and non-corrosive liquids	5.4 Lb.

**CHEMICAL AND MATERIAL HANDLING PUMPS**

Alemite Chemical and Material Handling pumps provide the capabilities and versatility needed for various applications. They are designed to deliver materials from original or bulk storage containers to the point of application.

**Light Duty**

Alemite Light Duty Class I Pumps are designed to handle fluids (<400 cp) such as diesel fuel and light oils, and are recommended for dispensing applications.



**6799**

Light Duty Pump

FEATURES:

- Quick, efficient transfer of large volume fluids
- Aluminum, stainless steel and nylon construction for compatibility with most fluids, including mild corrosives
- 1/4" air inlet
- Includes downtube for 55 gallon drums

Product #	Wetted Materials	Drum Size	Material Outlet	Seal Material	Pump Ratio	Free Flow per Minute	Cycles per Gallon	Weight
6799	Carbon Steel, Aluminum, Stainless Steel, Nylon	55 Gallon	1"	PTFE and Buna	1/3:1	30 Gallons	30	22 Lb.

**CHEMICAL AND MATERIAL HANDLING PUMPS**

**Light - Medium Duty**

Alemite Class 1 and 2 Pumps are designed to handle light to medium fluids (5 to 4,000 cp) such as inks, flavoring and oils. The double ball downtube ensures positive priming for reliable operation. Recommended for dispensing applications.



**7880-C1**

**FEATURES:**

- Stainless steel and carbon steel models suitable for pumping corrosive liquids
- ¼" air inlet
- Stub pumps require downtube (included with 7216-4)
- Recommended accessories:
- Single Post Hoist (2741-4 or 2742-4) for models 7216-S3, 7216-4, 7880-C1. Requires Adapter Plate (322593)

Product #	Wetted Materials	Drum Size	Material Inlet	Material Outlet	Seal Material	Pump Ratio	Free Flow per Minute	Cycles per Gallon	Weight
7216-4	Carbon Steel	55 Gallon	NA	1" NPTF(f)	Teflon® and Nylon II	1:1	14 Gallons	25	14 Lb.
7216-A4	Carbon Steel	55 Gallon	NA	1" NPTF(f)	Teflon® and Nylon II	1:1	33 Lbs.	25	18 Lb.
7216-S3	Stainless Steel	55 Gallon	1" NPTF(f)	1" NPTF(f)	Teflon®	1:1	14 Gallons	25	22 Lb.
7216-B	Carbon Steel	55 Gallon	NA	3/8" NPTF(f)	Buna	2:1	7 Gallons	32	18 Lb.
7222-B4	Carbon Steel	Stub	1 1/2" NPTF(f)	1" NPTF(f)	Viton	1:1	14 Gallons	25	12 Lb.
7880-C1	Stainless Steel	Stub	1" NPTF(f)	3/8" NPTF(f)	Teflon®	2.5:1	7 Gallons	38	14 Lb.

**CHEMICAL AND MATERIAL HANDLING PUMPS**

**Light - Heavy Duty**

Alemite Class 1, 2, and 3 Pumps are designed for pumping light to heavy fluids including coatings, oils, sealants and sound deadeners. Recommended for dispensing, extruding and spraying applications.

Stainless Steel Pump

FEATURES:

- Stainless steel construction and Teflon® seals will tolerate pumping corrosive fluids
- ¼” NPSI air inlet
- Versatile, durable pump which will deliver a range of light to heavy fluids
- Recommended accessories:
- Single Post Hoist (2741-4 or 2742-4)
- Adapter Plate (322593) for use with hoist

Product #	Wetted Materials	Drum Size	Material Outlet	Seal Material	Pump Ratio	Free Flow per Minute	Cycles per Gallon	Weight
7835-SDTRI	Stainless Steel	55 Gallons	3/4” NPTF(f)	Teflon®	5:1	5 Gallons	25	44 Lb.

**Medium - Heavy Duty**

Alemite Class 2, 3 and 4 Pumps are designed for medium to heavy fluids and medium semi-fluids, including adhesives, sealants, dough and pastes. Power piston downtube combines the priming advantages of a ball check with the performance of an upper chop check to handle heavier loads. Recommended for dispensing, extruding and spraying applications.



**7886-S5**

FEATURES:

- Stainless steel construction and Teflon® seals (model 7886-S5) will tolerate pumping corrosive fluids
- ¾” NPTF(f) air inlet

Product #	Wetted Materials	Drum Size	Material Inlet	Material Outlet	Seal Material	Pump Ratio	Free Flow per Minute	Cycles per Gallon	Weight
7886-A5	Carbon Steel	400 Lb.	Material Inlet	1” NPTF(f)	Buna	11:1	13 Gallons	30	78 Lb.
7886-S5	Stainless Steel	400 Lb.	Material Inlet	1” NPTF(f)	Teflon®	11:1	13 Gallons	30	82 Lb.

**CHEMICAL AND MATERIAL HANDLING PUMPS**

**Undercoating Pumps**

Alemite Undercoating Pumps spray materials using air atomizing or airless spray systems. Common applications include spraying adhesives, roof coatings, and similar uses.



**331571-C5**

**FEATURES:**

- Double toggle air valve trip mechanism prevents binding or stalling
- Corrosion resistant chrome finish on piston rods reduces packing wear
- 2 7/16" air motor
- 1/4" NPSI air inlet
- Material outlet 3/8" NPTF(f)

Product #	Description	Drum Size	Pump Ratio	Delivery	Included Items	Weight
331571-A5	Stationary H Pump	120 Lb.	26:1	5.25 Lb. / minute	NA	34 Lb.
331571-C5	Stationary H Pump	35 Lb.	26:1	5.25 Lb. / minute	NA	29 Lb.
8553-2	Portable H Pump	35 Lb.	26:1	5.25 Lb. / minute	Cover (338166), 25' Hose (317875-25), Z Swivel (B52752), Control Valve (6320-3)	50 Lb.

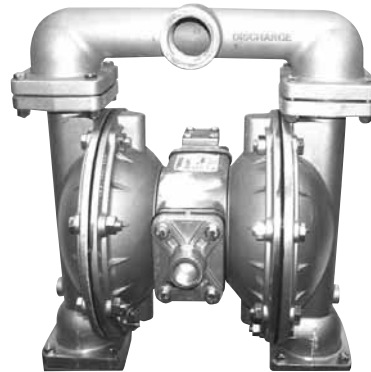
**DIAPHRAGM PUMPS**

**Air Operated**

Alemite Diaphragm Pumps are designed for both high volume transfer and dispensing a variety of low viscosity fluids including new oil, used oil, windshield washer fluid, antifreeze, and other materials. Refer to table below for specific pump compatibility.



**8301**



**8324**

Product #	Air Inlet	Description	Body Material	Diaphragm Material	Pressure	Material Inlet/Outlet	Delivery (GPM)	Recommended Fluids
8301	1/4"	1/4" Diaphragm Pump	Poly	Teflon®	125 psi	1/4"	4	Windshield Washer Fluid, Antifreeze
8322	1/4"	1/2" Diaphragm Pump	Poly	Buna	100 psi	1/2"	14	Windshield Washer Fluid, Antifreeze, New/Used Oil, Most Water Based Chemicals
8322-A	1/4"	1/2" Diaphragm Pump	Aluminum	Buna	100 psi	1/2"	15	New/Used Oil
8322-B	1/4"	1/2" Diaphragm Pump	Poly	Santoprene	125 psi	1"	14	Windshield Washer Fluid, Antifreeze, DEF, Soaps, Cleaning Fluid, Non-petroleum Cleaning Chemicals
8322-C	1/4"	1/2" Diaphragm Pump	Poly	Teflon®	125 psi	1"	14	Concentrates, Corrosives, Water Based Solvents
8322-D	1/4"	1/2" Diaphragm Pump	Aluminum	Teflon®	125 psi	1"	15	More universally compatible with solvents, volatiles
8323	1/2"	1" Diaphragm Pump	Aluminum	Buna	125 psi	1"	45	New/Used Oil
8325	1/2"	1" Diaphragm Pump - UL Listed	Aluminum	Buna	125 psi	1"	45	Antifreeze, New/Used Oil (UL Listed)
8327	1/2"	1" Diaphragm Pump - UL Listed	Aluminum	Teflon®	125 psi	1"	45	Antifreeze, New/Used Oil (UL Listed)
8324	3/4"	1 1/2" Diaphragm Pump	Aluminum	Buna	125 psi	1 1/2"	106	Antifreeze, New/Used Oil
8329	3/4"	2" Diaphragm Pump	Aluminum	Buna	125 psi	2"	150	Antifreeze, New/Used Oil
8340	3/4"	3" Diaphragm Pump	Aluminum	Buna	125 psi	3"	235	Antifreeze, New/Used Oil



**ELECTRIC PUMPS**

**Electric Transfer Pumps**

Alemite Electric Transfer Pumps transfer chemicals and other fluids from drums, tanks and totes.



**340011**

FEATURES:

- Designed to transfer a wide range of liquids
- Eliminates direct contact with aggressive chemicals, reduces risk for splashing
- No seals to wear out or replace
- Fast – empty a 55 gallon drum in 90 seconds (35 gallon/minute delivery)
- Light weight and portable
- Maximum viscosity is 1500 cps
- Pumps can “dry run” against a closed valve without damage

Product #	Description	Voltage	Weight
340011	Electric Pump Package, PP Nozzle and Downtube	115V	19 Lb.
340012	Electric Pump Package, PP Nozzle and Downtube	230V	19 Lb.

**PUMP ACCESSORIES**

**Bearing Packers**



**6709-B4**



**6598-B**



**B-412**

Product #	Bearing Size	Drum Size	Follower	Drum Cover	Weight
6709-A4	19/32" - 8"	120 Lb.	338803	328245-4	19 Lb.
6709-B4	19/32" - 8"	35 Lb.	338825	337729	15 Lb.
6598-B	3/4" - 6"	NA	NA	NA	4 Lb.
B412	3/4" - 6"	NA	NA	NA	2 Lb.

**Drum Covers**



**338981**

FEATURES:

- Durable – made with heavy gauge steel
- Drum cover flange provides rigidity and maintains solid position on drum
- Pump mounts in center of cover, and 3 thumb screws clamp over drum rim
- 324792-4 model allows side mounting, for use in lube trucks.

Product #	Drum Size	Use with Pump	Use	Height	Outer Diameter	Weight
338166	35 Lb.	RAM, Standard Duty	Grease	2.04"	12"	4.1 Lb.
338371	120 Lb.	RAM, Standard Duty	Grease	3.19"	14.88"	5.6 Lb.
338163	400 Lb.	RAM	Grease	1.50"	23.91"	5.6 Lb.
324793-4	400 Lb.	Industrial, H Pumps	Grease	1.81"	24"	19.2 Lb.
323800-4	120 Lb.	Industrial	Oil/Grease/Fluids	1.19"	14.88"	
323847-4	400 Lb. / 55 Gallon	Industrial	Oil/Grease/Fluids	3.50"	24.25"	19.4 Lb.
338145	16 Gallon	RAM 9960, 9968	Oil/Fluids	3.19"	14.88:	5.8 Lb.
324792-4	55 Gallon	Pumps with tie down kits	Oil/Fluids	1.81"	25.63"	18.4 Lb.
338981	12.5 Kg. (276 mm)	Metric Pumps	Grease	1.45"	10/87"	2.8 Lb.
338982	20 Kg. (315 mm)	Metric Pumps	Grease	1.71"	12.41"	3.2 Lb.
338983	50 Kg. (409 mm)	Metric Pumps	Grease	2.05"	16.09"	7.4 Lb.
338984	180 Kg. (619 mm)	Metric Pumps	Grease	1.57"	24.36"	13 Lb.

**PUMP ACCESSORIES**

**Drum Covers - Bung Mount**



**338977**

Product #	Drum Size	Use	Height	Outer Diameter	Bung Opening	Weight
338977	120 Lb. / 16 Gallon	Oil/Grease/Material	3.19"	14.88"	2" NPTF	6.2 Lb.
318040-4	400 Lb. / 55 Gallon	Oil/Grease/Material	1.57"	23.91"	2" NPTF	12.5 Lb.

**Follower Plates**



**337665**



**338802**



**338803**

Product #	Drum Size	Use with Pump	Tube Diameter	Outer Diameter	Weight
338801	120 Lb.	9950 Series	1 1/8"	14.14"	4.2 Lb.
338802	120 Lb.	RAM, Standard Duty	1 3/8"	14.14"	3.6 Lb.
338803	120 Lb.	Manual	1 5/8"	14.14"	3.6 Lb.
338804	120 Lb.	Industrial	2"	14.14"	3.6 Lb.
338911	400 Lb.	RAM, Standard Duty	1 3/8"	23.53"	11 Lb.
338912	400 Lb.	Industrial	2"	23.53"	11 Lb.
338923	400 Lb.	7539-4 (Manual)	1 5/8"	23.53"	11 Lb.
337665	35 Lb.	RAM (9911 Series)	1 1/8"	11.27"	1.7 Lb.
338825	35 Lb.	7537-4, 6709-B4 (Manual)	1 5/8"	11.27"	1.9 Lb.
338991	12.5 Kg. (270 mm)	Metric RAM, H and Super H	29 mm	10.63"	2 Lb.
338992	20 Kg. (330 mm)	Metric RAM, H and Super H	29 mm	12/99"	2.4 Lb.
338993	50 Kg. (390 mm)	Metric RAM, H and Super H	35 mm	15.35"	4 Lb.
338911	180 Kg. (597 mm)	Metric RAM, H and Super H	35 mm	15.35"	10.7 Lb.
314898	30 Lb.	6713-4 (Manual)	7/8"	8.44"	1.6 Lb.

**PUMP ACCESSORIES**

**Strainers - Lubricant**



**380372-B1**

Product #	Description	Inlet	Outlet	Element Product #	Element Porosity	Weight
380372-B1	Grease, Y Type	1/2" NPTF(f)	1/2" NPTF(f)	328628	138 micron	2.3 Lb.
380372-A1	Oil, Y Type	1/2" NPTF(f)	1/2" NPTF(f)	384847	40 micron	2.3 Lb.
339683	Waste Oil, Y Type	1" NPTF(f)	1" NPTF(f)	NA	16 mesh	1 Lb.

**Strainers - Pump Tube**



**326463-B1**

Product #	Use with Pump	Weight
326432	Industrial Heavy Duty	0.7 Lb.
326463-B1	RAM 9911, 9950, 9979 and 9940 Series, Standard Duty	0.3 Lb.

**Bung Adapters**



**326750-B1**

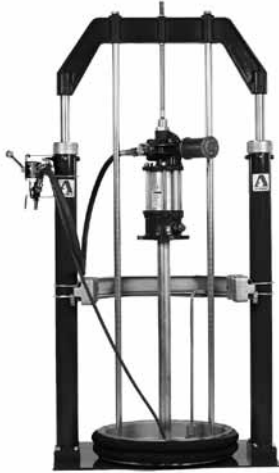
FEATURES:

- Cast iron construction
- 2" NPTF male to fit standard container openings

Product #	Use with Pump	Tube Size	Weight
326750	RAM and Standard Duty	1 3/8"	1.6 Lb.
326750-B1	Industrial, Material	2"	1.6 Lb.
326750-E1	7537 Series	1 5/8"	1.6 Lb.

**PUMP ACCESSORIES**

**Pump Hoists**



**7818-F5**



**2741-4**



**2742-4**



**2743-4**

Product #	Description	Included Items	comments	Weight
7818-F5	Bridge Hoist	Guide rods, drum retaining mechanisms, vacuum break, pump air hose assemblies and follower (327690)	Dimensions: 69 1/4" H (lowered) x 42 1/2" W x 27 3/16" D (107" H raised) Air inlet: 3/4" NPTF(f) Maximum pressure: 200 psi	370 Lb.
2741-4	Single Post Pump Hoist	Hoist, Cover assembly	Height: 62 1/8" (lowered), 98 5/8" (raised) Air inlet: 1/4" NPTF (f) Maximum pressure: 150 psi Recommended Accessory: Adapter plate (322593) adapts cover assembly to bung mounted pumps	75 Lb.
2742-4	Single Post Pump Hoist	Hoist, Bracket assembly	Height: 62 1/8" (lowered), 98 5/8" (raised) Air inlet: 1/4" NPTF (f) Maximum pressure: 150 psi Recommended Accessory: Follower plate (327242) for Class III, IV, and V materials (400 Lb.)	75 Lb.
2743-4	Single Post Pump Hoist	Hoist, Hanger assembly	Height: 62 1/8" (lowered), 98 5/8" (raised) Air inlet: 1/4" NPTF (f) Maximum pressure: 150 psi	70 Lb.

**PUMP ACCESSORIES**

**Pump Hose Assemblies - Manual High Volume and Multi-Pressure**

FEATURES:

- Single wire braid construction
- Use with manual grease pump, high volume and multi-pressure bucket pumps

Product #	Use with Pump	Coupling Thread Size	Hose ID	Maximum Working Pressure	Hose Length	Weight
317853-5	Manual grease pump, high volume bucket pump, multi-pressure bucket pump	1/8" NPTF(m) x 3/8" NPTF(m)	1/4"	4,400 psi	5'	0.9 Lb.
317854-5F	Manual grease pump, high volume bucket pump, multi-pressure bucket pump	3/8" NPTF(m) x 3/8" NPTF(f)	3/8"	3,200 psi	5 1/2'	1.7 Lb.
317854	Manual grease pump, high volume bucket pump, multi-pressure bucket pump	3/8" NPTF(f)	3/8"	3,200 psi	5 1/2', 10'	NA

**Pump Hose Assemblies - All Manual and High Pressure**

FEATURES:

- Use with all manual pumps, including high pressure manual bucket pumps, except for 6713-4.

Product #	Use	Coupler	Hose	Hose Length	Swivel	Check Valve	Adapter	Weight
6615-G	Giant Button Head Fittings	304300	317854-5F	5 1/2'	51219	46405	NA	0.5 Lb.
6616-G	Standard Button Head Fittings	42030	317854-5F	5 1/2'	51219	46405	NA	2.5 Lb.
6617-G	Hydraulic Fittings	6304-C	317854-5F	5 1/2'	NA	NA	NA	2.3 Lb.
6617-K	Hydraulic Fittings	6304-C	317854-10	10'	NA	NA	NA	3.4 Lb.
322434	Hydraulic Fittings	308730-A	317853-5	5'	NA	NA	NA	1 Lb.

**Wall Brackets**

Product #	Use with Pump	Weight
325749	RAM 9916-A1, 9918-A, 9968, 9970, 8568-A4	3.7 Lb.
328190-B4	7783 Series, 7793 Series	10.1 Lb.



**325749**



**PUMP ACCESSORIES**

**Downtubes**

Alemite Downtubes are for use with stub pumps in tank or drum applications. They are produced using PVC, and versions are available for use with or without the low level cut off (Alemite part # 321206).

Used with Pump	16-Gal. V-Cut	55-Gal. V-Cut	250-Gal. V-Cut	275-Gal. V-Cut
7222-B4	338147-10 (17.25")	338147-3 (25.67")	338147-1 (21.75")	338147-4 (33.50")
7880-C1	338370-1 (22.25")	338370-2 (28.75")	338370-2 (28.75")	338370-3 (37.25")
7783-C4	338147-11 (12.125")	338147-1 (21.75")	338147-1 (21.75")	338147-8 (30.25")
7793-C	338147-11 (12.125")	338147-1 (21.75")	338147-1 (21.75")	338147-8 (30.25")
8568-A4	338147-10 (17.25")	338147-3 (25.67")	338147-1 (21.75")	338147-4 (33.50")
9916-A1	338147-3 (25.67")	338147-4 (33.50")	338147-8 (30.25")	338147-9 (41.75")
9918-A	338147-3 (25.67")	338147-4 (33.50")	338147-8 (30.25")	338147-9 (41.75")
9968	338147-1 (21.75")	338147-2 (28.25")	338147-3 (25.67")	338147-7 (35.56")
9970	338370-1 (22.25")	338370-2 (28.75")	338370-2 (28.75")	338370-3 (37.25")

These downtubes can be added to stub pumps in tanks and drums using low-level cutoff (321206).

Used with Pump	16-Gal. Ext.	55-Gal. Ext.	250-Gal. Ext.	275-Gal. Ext.
7222-B4	338246-10 (13.50")	338246-3 (21.75")	338246-1 (18.00")	338246-4 (29.62")
7880-C1	338362-3* (18.25")	338362-4* (24.50")	338362-4* (24.50")	338362-5* (32.75")
7783-C4	338246-11 (8.25")	338246-1 (18.00")	338246-1 (18.00")	338246-8 (26.50")
7793-C	338246-11 (8.25")	338246-1 (18.00")	338246-1 (18.00")	338246-8 (26.50")
8568-A4	338246-10 (13.50")	338246-3 (21.75")	338246-1 (18.00")	338246-4 (29.62")
9916-A1	338246-3 (21.75")	338246-4 (29.62")	338246-8 (26.50")	338246-5 (36.78")
9918-A	338246-3 (21.75")	338246-4 (29.62")	338246-8 (26.50")	338246-5 (36.78")
9968	338246-1 (18.00")	338246-2 (24.50")	338246-3 (21.75")	338246-6 (31.66")
9970	338362-3* (18.25")	338362-4* (24.50")	338362-4* (24.50")	338362-5* (32.75")

**IMPORTANT INFORMATION**

\* Includes 328207 bushing for attaching a low-level cutoff. These tubes are made of 1" wrought steel pipe.



- ▶ Heavy Duty
- ▶ Severe Duty
- ▶ Narrow Double Post
- ▶ High Capacity
- ▶ Large Capacity
- ▶ Shielded
- ▶ Specialty
- ▶ Accessories

Alemite reels are the standard for quality and durability in the lubrication industry. High attention to detail in material selection, construction and testing ensure that Alemite reels perform well – every time – providing a key component in a safe and efficient operation.



**HEAVY DUTY REELS**

Alemite Heavy Duty Reels set the industry standard for reliable, rugged performance in tough work environments. Engineered for optimum performance and safety, Alemite Heavy Duty Reels are appropriate for a wide range of demanding applications.



**8078 series**

**FEATURES:**

- Superior Performance – Swivel and reel ball bearings reduce torque load on power spring for smooth retraction every time.
- Anti-Lockout Design – Ratchet prevents lockup when hose is fully extended, eliminating the need to manually release the pawl at the reel.
- Corrosion Resistant – Sealed bearings prevent contamination and minimize maintenance, a critical performance factor in dirty environments.
- Easy Installation and Maintenance – Factory lubricated one piece power spring cassette makes installation and maintenance safe and easy.
- Durable – Heavy metal arbor design withstands extreme stress and eliminates breakage associated with non-metal and light weight metal arbors.
- Adjustable and Versatile – 5 position guide arm allows hose to release at an optimum position. Narrow design allows for efficient use of available space.
- Compatibility – Oil, grease, air, water

**Included Items:**

- Hose Reel, Hose, Hose Stop, Union & Connecting Hose

**Oil**

Product #	Bare Reel #	Max Pressure	Delivery Hose Specification	Connecting Hose #	Connecting Hose Inlet	Delivery Hose Outlet	Weight
8078-C	7335-B	1,500 psi	1/2" x 30' (317813-30)	317813-2	1/2" NPTF(m)	1/2" NPTF(m)	56 Lb.
8078-D	7335-B	1,500 psi	1/2" x 50' (317813-50)	317813-2	1/2" NPTF(m)	1/2" NPTF(m)	58 Lb.
7335-B	7335-B	1,500 psi	NA	NA	NA	NA	50 Lb.

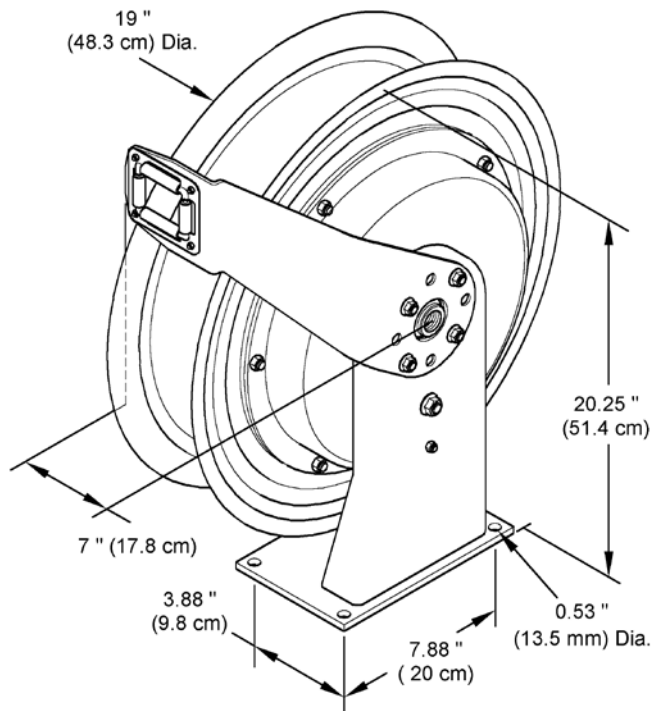
## HEAVY DUTY REELS

### Grease

Product #	Bare Reel #	Max Pressure	Delivery Hose Specification	Connecting Hose #	Connecting Hose Inlet	Delivery Hose Outlet	Weight
8078-A	7334-B	6,400 psi	1/4" x 30' (317874-30)	317876-2	3/8" NPTF(m)	1/4" NPTF(f)	56 Lb.
8078-B	7334-B	6,400 psi	1/4" x 50' (317874-50)	317876-2	3/8" NPTF(m)	1/4" NPTF(f)	59 Lb.
8078-T	7334-B	6,400 psi	3/8" x 50' (317870-50)	317882-2	3/8" NPTF(m)	1/4" NPTF(f)	63 Lb.
7334-B	7334-B	6,400 psi	NA	NA	NA	NA	50 Lb.

### Air/Water

Product #	Bare Reel #	Max Pressure	Delivery Hose Specification	Connecting Hose #	Connecting Hose Inlet	Delivery Hose Outlet	Weight
8078-E	7336-B	200 psi	3/8" x 30' (317803-30)	317811-2	1/2" NPTF(m)	1/4" NPTF(m)	51 Lb.
8078-F	7336-B	200 psi	3/8" x 50' (317803-50)	317811-2	1/2" NPTF(m)	1/4" NPTF(m)	53 Lb.
8078-M	7335-B	200 psi	1/2" x 50' (317811-50)	317811-2	1/2" NPTF(m)	1/2" NPTF(m)	61 Lb.
7336-B	7336-B	200 psi	NA	NA	NA	NA	50 Lb.



## SEVERE DUTY REELS

Tough jobs require tough equipment. Alemite Severe Duty Reels are designed to deliver maximum strength and durability in harsh working conditions. The thicker, fully welded base plate provides solid stability for mobile applications, and weather resistant gaskets and O-rings protect internal components from corrosion.



**8078 series**

### FEATURES:

- Superior Performance – Swivel and reel ball bearings reduce torque load on power spring for smooth retraction every time.
- Anti-Lockout Design – Ratchet prevents lockup when hose is fully extended, eliminating the need to manually release the pawl at the reel.
- Corrosion Resistant – Sealed bearings and weather resistant sealing components prevent contamination and minimize maintenance, a critical performance factor in dirty environments.
- Easy Installation and Maintenance – Factory lubricated one piece power spring cassette makes installation and maintenance safe and easy.
- Durable – Heavy metal arbor design withstands extreme stress and eliminates breakage associated with non-metal and light weight metal arbors. Thicker, fully welded base plate ensures off road stability.
- Adjustable and Versatile – 5 position guide arm allows hose to release at an optimum position. Narrow design allows for efficient use of available space.
- Compatibility – Oil, grease, air, water, fuel

### Included Items:

- Hose Reel, Hose, Hose Stop, Union & Connecting Hose

### Oil

Product #	Bare Reel #	Max Pressure	Delivery Hose Specification	Connecting Hose #	Connecting Hose Inlet	Delivery Hose Outlet	Weight
8078-P	7335-C	1,500 psi	1/2" x 30' (317813-30)	317813-2	1/2" NPTF(m)	1/2" NPTF(m)	58 Lb.
8078-H	7335-C	1,500 psi	1/2" x 50' (317813-50)	317813-2	1/2" NPTF(m)	1/2" NPTF(m)	60 Lb.
7335-C	7335-C	1,500 psi	NA	NA	NA	NA	50 Lb.

### Grease

Product #	Bare Reel #	Max Pressure	Delivery Hose Specification	Connecting Hose #	Connecting Hose Inlet	Delivery Hose Outlet	Weight
8078-N	7334-C	6,000 psi	1/4" x 30' (317874-30)	317876-2	3/8" NPTF(m)	1/4" NPTF(f)	58 Lb.
8078-G	7334-C	6,000 psi	1/4" x 50' (317874-50)	317876-2	3/8" NPTF(m)	1/4" NPTF(f)	61 Lb.
7334-C	7334-C	6,000 psi	NA	NA	NA	NA	50 Lb.

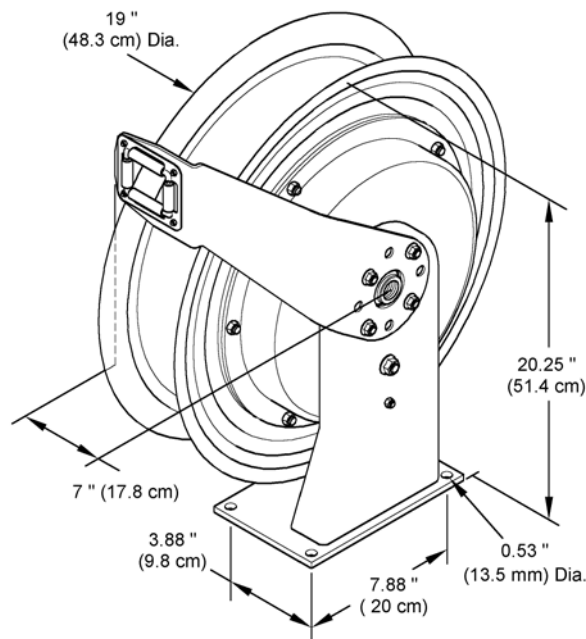
## SEVERE DUTY REELS

### Air/Water

Product #	Bare Reel #	Max Pressure	Delivery Hose Specification	Connecting Hose #	Connecting Hose Inlet	Delivery Hose Outlet	Weight	Air Coupler	Air Adapter
8078-R	7336-C	200 psi	3/8" x 30' (317803-30)	317811-2	1/2" NPTF(m)	1/4" NPTF(m)	53 Lb.	328030	328034
8078-J	7336-C	200 psi	3/8" x 50' (317803-50)	317811-2	1/2" NPTF(m)	1/4" NPTF(m)	55 Lb.	328030	328034
7336-C	7336-C	200 psi	NA	NA	NA	NA	43.8 Lb.	NA	NA

### Fuel

Product #	Bare Reel #	Max Pressure	Delivery Hose Specification	Connecting Hose #	Connecting Hose Inlet	Delivery Hose Outlet	Weight
8078-K	7337-C	300 psi	3/4" x 30' (317868-30)	317868-2	3/4" NPTF(m)	3/4" MPTF(m)	71 Lb.
7337-C	7337-C	300 psi	NA	NA	NA	NA	52.8 Lb.



## NARROW DOUBLE POST REELS

Alemite Narrow Double Post Reels provide the rugged, reliable performance of an Alemite Reel, with a narrower design to fully optimize space efficiency. The dual arm design provides increased strength and stability in demanding off road applications.



**8081 Series**

**FEATURES:**

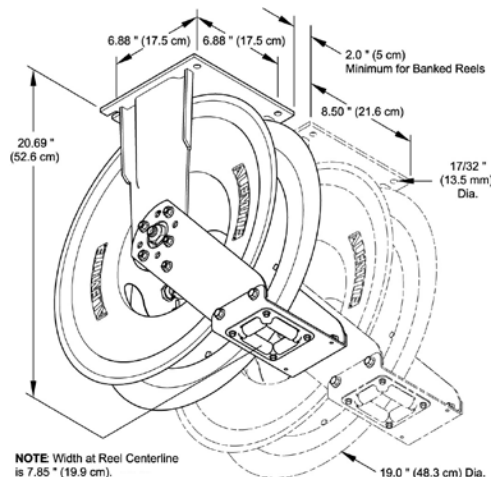
- Narrow Design – 8.5” wide, for better space utilization.
- Superior Performance – Swivel and reel ball bearings reduce torque load on power spring for smooth retraction every time.
- Anti-Lockout Design – Ratchet prevents lockup when hose is fully extended, eliminating the need to manually release the pawl at the reel.
- Corrosion Resistant – Sealed bearings prevent contamination and minimize maintenance, a critical performance factor in dirty environments.
- Easy Installation and Maintenance – Factory lubricated one piece power spring cassette makes installation and maintenance safe and easy.
- Durable – Heavy metal arbor and dual arm design withstand extreme stress and eliminate breakage associated with non-metal and light weight metal arbors.
- Adjustable and Versatile – 5 position guide arm allows hose to release at an optimum position. Narrow design allows for efficient use of available space.
- Compatibility – Oil, grease, air, water, fuel, hydraulic fluid

**Included Items:**

- Hose Reel, Hose, Hose Stop, Union & Connecting Hose

### Oil

Product #	Bare Reel #	Max Pressure	Delivery Hose Specification	Reel Inlet	Delivery Hose Outlet	Weight
8081-C	7371	1,800 psi	1/2" x 40' (317813-40)	1/2" NPSM(m)	1/2" NPTF(m)	71 Lb.
8081-D	7371	1,800 psi	1/2" x 50' (317813-50)	1/2" NPSM(m)	1/2" NPTF(m)	74 Lb.
7371	7371	1,800 psi	NA	1/2" NPSM(m)	NA	57.2 Lb.





**NARROW DOUBLE POST REELS**

**Grease**

Product #	Bare Reel #	Max Pressure	Delivery Hose Specification	Reel Inlet	Delivery Hose Outlet	Weight
8081-A	7370	6,500 psi	1/4" x 30' (317874-30)	3/8" NPSM(m)	1/4" NPTF(f)	71 Lb.
8081-B	7370	6,500 psi	1/4" x 50' (317874-50)	3/8" NPSM(m)	1/4" NPTF(f)	72 Lb.
8081-J	7370	4,000 psi	3/8" x 50' (317870-50)	3/8" NPTF(m)	1/4" NPTF(f)	72 Lb.
7370	7370	6,500 psi	NA	3/8" NPTF(m)	NA	58.4 Lb.

**Air/Water**

Product #	Bare Reel #	Max Pressure	Delivery Hose Specification	Reel Inlet	Delivery Hose Outlet	Weight
8081-E	7372	200 psi	3/8" x 40' (317803-40)	1/2" NPSM(m)	1/4" NPTF(m)	62 Lb.
8081-F	7372	200 psi	3/8" x 50' (317803-50)	1/2" NPSM(m)	1/4" NPTF(m)	64 Lb.
8081-G	7371	200 psi	1/2" x 50' (317811-50)	1/2" NPSM(m)	1/4" NPTF(m)	68.6 Lb.
7372	7372	200 psi	NA	1/2" NPSM(m)	NA	55 Lb.

**Fuel**

Product #	Bare Reel #	Max Pressure	Delivery Hose Specification	Reel Inlet	Delivery Hose Outlet	Weight
8081-K	7373	200 psi	3/4" x 30' (317868-30)	3/4" NPSM(m)	3/4" NPTF(m)	75 Lb.
7373	7373	200 psi	NA	3/4" NPSM(m)	NA	61 Lb.

## HIGH CAPACITY REELS

Alemite High Capacity Reels offer high volume delivery in the most extreme outdoor conditions. The high capacity flow passage reduces fill rate time, improving efficiency and helping reduce cost.



**8080-B**

**FEATURES:**

- Superior Performance – Swivel and reel ball bearings reduce torque load on power spring for smooth retraction every time.
- Anti-Lockout Design – Ratchet prevents lockup when hose is fully extended, eliminating the need to manually release the pawl at the reel.
- Corrosion Resistant – Sealed bearings prevent contamination and minimize maintenance, a critical performance factor in dirty environments. Sealed rollers eliminate contamination which can bind hose guide rollers.
- Easy Installation and Maintenance – Factory lubricated one piece power spring cassette makes installation and maintenance safe and easy. Outlet port swivel nut makes installing delivery hose quick and easy.
- Strong and Stable – Double arm design provides extra support for a larger hose during use. Four corner bolt hole pattern on outside of base provides extra stability.
- Compatibility – Oil, air, water, fuel

**Included Items:**

- Hose Reel, Delivery Hose and Hose Stop

## Oil

Product #	Bare Reel #	Max Pressure	Delivery Hose Specification	Reel Inlet	Delivery Hose Outlet	Weight
8080-B	7341	1,500 psi	1/2" x 80' (317813-80)	1/2" NPTF(f)	1/2" NPTF(m)	146 Lb.
8080-H	7341	1,500 psi	1/2" x 100' (317813-100)	1/2" NPTF(f)	1/2" NPTF(m)	150 Lb.
7341	7341	1,500 psi	NA	1/2" NPTF(f)	1/2" NPTF(m)	124 Lb.

## Grease

Product #	Bare Reel #	Max Pressure	Delivery Hose Specification	Reel Inlet	Delivery Hose Outlet	Weight
8080-A	7340	6,000 psi	3/8" x 80' (317870-80)	3/8" NPTF(m)	1/4" NPTF(f)	150 Lb.
7340	7340	6,000 psi	NA	3/8" NPTF(m)	1/4" NPTF(f)	123 Lb.

## HIGH CAPACITY REELS

### Air/Water

Product #	Bare Reel #	Max Pressure	Delivery Hose Specification	Reel Inlet	Delivery Hose Outlet	Weight
8080-C	7341	300 psi	1/2" x 80' (317811-80)	1/2" NPTF(f)	1/2" NPTF(m)	115 Lb.
8080-D	7341	300 psi	1/2" x 100' (317811-100)	1/2" NPTF(f)	1/2" NPTF(m)	125 Lb.

### Fuel

Product #	Bare Reel #	Max Pressure	Delivery Hose Specification	Reel Inlet	Delivery Hose Outlet	Weight
8080-E	7342	1,000 psi	3/4" x 50' (317868-50)	1" NPTF(f)	3/4" NPTF(f)	145 Lb.
8080-F	7342	1,000 psi	3/4" x 70' (317868-70)	1" NPTF(f)	3/4" NPTF(f)	155 Lb.
8080-G	7342	1,000 psi	1" x 50' (317869-50)	1" NPTF(f)	1" NPTF(f)	165 Lb.
8080-J	7342	150 psi	1" x 50' (339634-50)	1" NPTF(f)	1" NPTF(f)	165 Lb.
7342	7342	1,000 psi	NA	1" NPTF(f)	NA	119 Lb.

### Oil/Air/Water/Fuel - 1.25"

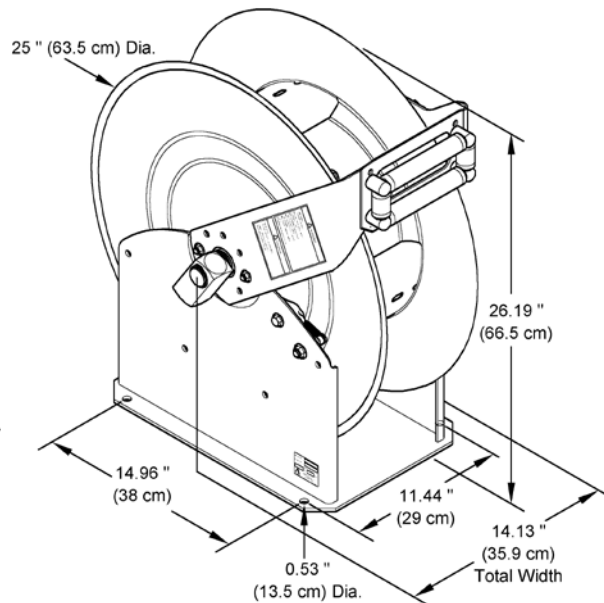
Product #	Bare Reel #	Max Pressure	Reel Inlet	Delivery Hose Outlet	Weight
7345	7345	300 psi	1 1/2" NPTF(f)	1 1/4" NPTF(f)	125 Lb.

### Oil/Air/Water/Fuel - 1.5"

Product #	Bare Reel #	Max Pressure	Reel Inlet	Delivery Hose Outlet	Weight
7346	7346	300 psi	1 1/2" NPTF(f)	1 1/2" NPTF(f)	125 Lb.



**7345**





## SHIELDED REELS

Alemite Shielded Reels are ideal for when your workplace is in view of customers and a clean appearance is expected. These reels offer looks and performance to meet the needs of your shop. Placed together in a bank, Alemite Shielded Reels feature a track system for easy installation.



**8079-A**

**FEATURES:**

- Stain and impact resistant ABS polymer side panels
- Attractive casing for enhanced professional look
- Track system for quick and easy installation
- Roller guides attached to the hose reel for convenient servicing
- Compatibility – Oil, grease, air, water

### Oil

Product #	Bare Reel #	Max Pressure	Delivery Hose Specification	Connecting Hose #	Connecting Hose Inlet	Delivery Hose Outlet	Weight
8079-C	7335-D	1,500 psi	1/2" x 30' (317813-30)	317813-2	1/2"(m)	1/2"(m)	73 Lb.
8079-D	7335-D	1,500 psi	1/2" x 50' (317813-50)	317813-2	1/2"(m)	1/2"(m)	75 Lb.
7335-D	7335-D	1,500 psi	NA	NA	NA	NA	50 Lb.

### Grease

Product #	Bare Reel #	Max Pressure	Delivery Hose Specification	Connecting Hose #	Connecting Hose Inlet	Delivery Hose Outlet	Weight
8079-A	7334-D	6,000 psi	1/4" x 30' (317874-30)	317876-2	3/8"(m)	1/4"(f)	73 Lb.
8079-B	7334-D	6,000 psi	1/4" x 50' (317874-50)	317876-2	3/8"(m)	1/4"(f)	76 Lb.
7334-D	7334-D	6,000 psi	NA	NA	NA	NA	50 Lb.

## SHIELDED REELS

### Air/Water

Product #	Bare Reel #	Max Pressure	Delivery Hose Specification	Connecting Hose #	Connecting Hose Inlet	Delivery Hose Outlet	Weight
8079-E	7336-D	300 psi	3/8" x 30' (317803-30)	317811-2	3/8"(m)	1/4"(f)	68 Lb.
8079-F	7336-D	300 psi	3/8" x 50' (317803-50)	317811-2	3/8"(m)	1/4"(f)	70 Lb.
7336-D	7336-D	300 psi	NA	NA	NA	NA	50 Lb.

### Cabinets

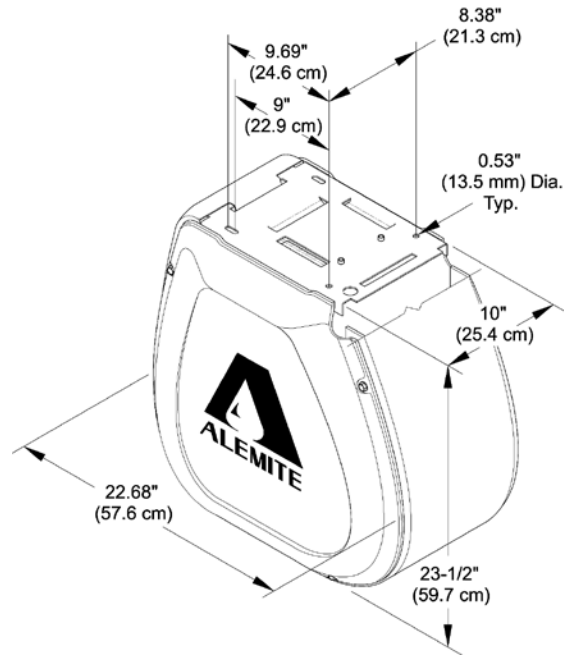
Product #	Description	Weight
7331	Cabinet Kit for 1 cabinet hose reel	10.5 Lb.
339371	End panels for 1 bank of cabinet hose reels	5.4 Lb.
339368	Strut for single reel installation	0.5 Lb.



**7331**



**339371**



## SPECIALTY REELS

Alemite offers a selection of specialty reels to deliver expected high quality Alemite performance into your specific application.

### Oxygen/Acetylene

Alemite Oxygen/Acetylene Reels are designed to safely handle volatile elements and to improve the safety of your welding or cutting operation with efficient, neat handling and storage of loose hose.



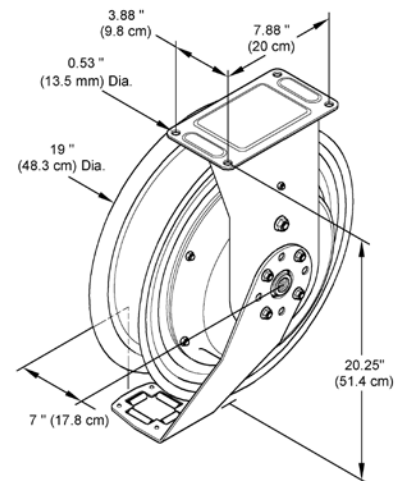
**8071-A**

#### FEATURES:

- Superior Performance – Swivel and reel ball bearings reduce torque load on power spring for smooth retraction every time.
- Anti-Lockout Design – Ratchet prevents lockup when hose is fully extended, eliminating the need to manually release the pawl at the reel.
- Corrosion Resistant – Sealed bearings prevent contamination and minimize maintenance, a critical performance factor in dirty environments.
- Easy Installation and Maintenance – Factory lubricated one piece power spring cassette makes installation and maintenance safe and easy.
- Durable – Heavy metal arbor design withstands extreme stress and eliminates breakage associated with non-metal and light weight metal arbors.
- Adjustable and Versatile – 5 position guide arm allows hose to release at an optimum position. Narrow design allows for efficient use of available space.
- Compatibility – Oxygen/Acetylene only.
- UL listed.

### Oil

Product #	Bare Reel #	Delivery Hose Spec	Oxy and Ace Inlets	Delivery Hose Connections	Weight
8071-A	7338-B	1/4" x 30' (339539-30)	1/4" NPTF(f)	9/16-18"(f)	54 Lb.
8071-B	7338-B	1/4" x 50' (339539-50)	1/4" NPTF(f)	9/16-18"(f)	56 Lb.
7338-B	7338-B	NA	1/4" NPTF(f)	9/16-18"(f)	44 Lb.
8071-D	7338-C	1/4" x 50' (339539-50)	1/4" NPTF(f)	9/16-18"(f)	57 Lb.
7338-C	7338-C	NA	1/4" NPTF(f)	9/16-18"(f)	50 Lb.



## SPECIALTY REELS

### Light and Electric Cord Reels

Alemite Light and Electric Cord reels keep your cords within reach, but safely out of the way, to improve safety, convenience and productivity.



Product #	Cord Size	Cord Length	Volts	Amperes	Outlet	Weight
7260	12 gauge	45'	115V	20 amp	Duplex with GFCI	30 Lb.
7261	10 gauge	50'	115V	35 amp	RV Plug	47 Lb.

### Air/Water - Compact Reels



**FEATURES:**

- 52' of 5/16" diameter polyurethane delivery hose
- Spring-driven retractable hose
- Mounting bracket pivots for ease of use
- Includes hose stop, inlet and outlet hose, and low pressure swivel assembly
- Compatibility – Water, washer fluids, antifreeze

Product #	Inside Diameter	Max Pressure	Length	Thread Size Inlet/Outlet	Reel Port Inlet Swivel/Outlet	Temperature Range
8051-1	5/16"	218 psi	52'	1/4" NPT(f) / 1/4" NPT(m)	3/8" NPT(f) / 1/4" NPT(m)	23°F to 104°F

### Hand Crank Reels

Alemite Hand Crank Reels are designed for heavy duty industrial or out door use, where long hose lengths are important.



**FEATURES:**

- Adjustable spool rotation drag eliminates hose backlash
- Permanently lubricated dual main bearings
- Full flow shaft and ball bearing swivel
- Lock pin to prevent spool rotation when not in use
- Nickel plated swivel with Viton® O-ring seals
- Unitized spool construction, with steel drum
- Vibration proof self locking fasteners ensure assembly integrity
- Temperature operating range (-20°F to 250°F, -29°C to 121°C)
- Easily convertible to power drive – motor mounting at either end of reel
- Compatibility – Oil, water, other fluids

Product #	Max Pressure	Max Hose Capacity	Reel Inlet	Reel Outlet	Weight
7350	1,000 psi	1/2" x 100'	1/2" NPT(f)	1/2" NPT(f)	12 Lb.

**7350**

## HOSE REEL HOSE STOPS

Product #	Hose ID	Weight
337437	.318" to .846"	0.2 Lb.
339538	.530" (twin line)	0.3 Lb.
339389	1.06" to 1.30"	0.3 Lb.
339389-1	1.39" to 1.55"	0.8 Lb.
339389-2	1.06" to 1.38" (fuel hose)	0.8 Lb.

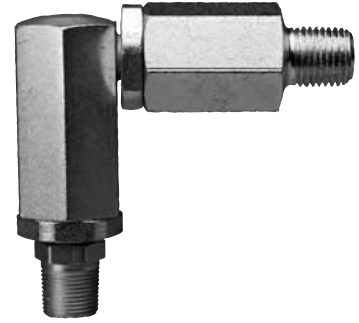


**337437**

## SWIVELS

### Grease

Product #	Thread	Configuration	PSI Rating	Weight
B52750	1/4" NPTF x 1/2"-27	Straight	10,000 psi	0.3 Lb.
B52751	1/4" NPTF x 1/2"-27	90°	10,000 psi	0.6 Lb.
B52752	1/4" NPTF x 1/2"-27	Z-Type	10,000 psi	1 Lb.
54730	1/8" NPTF x 1/8" NPTF	Straight	10,000 psi	0.3 Lb.
54732	1/8" NPTF x 1/8" NPTF	Z-Type	10,000 psi	0.9 Lb.
B321320	1/4" NPTF x 1/4" NPTF	Straight	10,000 psi	0.3 Lb.
B331107	1/4" NPTF x 1/4" NPTF	Z-Type	10,000 psi	1 Lb.



**B52751**

### Oil

Product #	Thread	Configuration	PSI Rating	Weight
332912	1/2" NPTF x 1/2" NPTF	Straight	7,000 psi	0.6 Lb.



**B321320**



**B331107**



Oil Hoses

Product #	Length	Coupling Specification	Hose ID	Working Pressure	Burst Pressure	Weight
317813-2	2'	1/2" NPTF(m) x 1/2" NPTF(m)	1/2"	2,000 psi	8,000 psi	1 Lb.
317813-5	5'	1/2" NPTF(m) x 1/2" NPTF(m)	1/2"	2,000 psi	8,000 psi	1.9 Lb.
317813-5F	5 1/2'	1/2" NPTF(m) x 1/2" NPTF(m)	1/2"	2,000 psi	8,000 psi	1.9 Lb.
317813-7	7'	1/2" NPTF(m) x 1/2" NPTF(m)	1/2"	2,000 psi	8,000 psi	2.4 Lb.
317813-12	12'	1/2" NPTF(m) x 1/2" NPTF(m)	1/2"	2,000 psi	8,000 psi	3.2 Lb.
317813-15	15'	1/2" NPTF(m) x 1/2" NPTF(m)	1/2"	2,000 psi	8,000 psi	4.7 Lb.
317813-25	25'	1/2" NPTF(m) x 1/2" NPTF(m)	1/2"	2,000 psi	8,000 psi	7.4 Lb.
317813-50	50'	1/2" NPTF(m) x 1/2" NPTF(m)	1/2"	2,000 psi	8,000 psi	14.4 Lb.
339684-15	15'	1/2" NPTF(m) x 1/2" NPTF(m)	1/2"	2,000 psi	8,000 psi	5 Lb.
339684-18	18'	1/2" NPTF(m) x 1/2" NPTF(m)	1/2"	2,000 psi	8,000 psi	5.2 Lb.

Grease Hoses

Product #	Length	Coupling Specification	Hose ID	Working Pressure	Burst Pressure	Weight
317870-50	50'	3/8" NPTF(m) x 1/4" NPTF(f)	3/8"	6,400 psi	16,000 psi	9.3 Lb.
317870-70	70'	3/8" NPTF(m) x 1/4" NPTF(f)	3/8"	6,400 psi	16,000 psi	13 Lb.
317870-80	80'	3/8" NPTF(m) x 1/4" NPTF(f)	3/8"	6,400 psi	16,000 psi	26.3 Lb.
317874-30	30'	3/8" NPTF(m) x 1/4" NPTF(f)	1/4"	8,000 psi	20,000 psi	7 Lb.
317874-50	50'	3/8" NPTF(m) x 1/4" NPTF(f)	1/4"	8,000 psi	20,000 psi	12 Lb.
317875-1F	1 1/2'	1/2"-27 NS Taper(f) x 1/2"-27 NS Taper(f)	1/4"	8,000 psi	20,000 psi	0.6 Lb.
317875-7	7'	1/2"-27 NS Taper(f) x 1/2"-27 NS Taper(f)	1/4"	8,000 psi	20,000 psi	2 Lb.
317875-10	10'	1/2"-27 NS Taper(f) x 1/2"-27 NS Taper(f)	1/4"	8,000 psi	20,000 psi	2.6 Lb.
317875-14	14'	1/2"-27 NS Taper(f) x 1/2"-27 NS Taper(f)	1/4"	8,000 psi	20,000 psi	3.8 Lb.
317875-20	20'	1/2"-27 NS Taper(f) x 1/2"-27 NS Taper(f)	1/4"	8,000 psi	20,000 psi	5.4 Lb.
317875-25	25'	1/2"-27 NS Taper(f) x 1/2"-27 NS Taper(f)	1/4"	8,000 psi	20,000 psi	6.5 Lb.
317875-30	30'	1/2"-27 NS Taper(f) x 1/2"-27 NS Taper(f)	1/4"	8,000 psi	20,000 psi	8 Lb.
317875-40	40'	1/2"-27 NS Taper(f) x 1/2"-27 NS Taper(f)	1/4"	8,000 psi	20,000 psi	9.8 Lb.
317875-50	50'	1/2"-27 NS Taper(f) x 1/2"-27 NS Taper(f)	1/4"	8,000 psi	20,000 psi	13.2 Lb.
317876-5	5'	3/8" NPTF(m) x 3/8" NPTR(m)	1/4"	8,000 psi	20,000 psi	3 Lb.
317878-50	50'	1/2"-27 NS Taper(f) x 1/2"-27 NS Taper(f)	3/8"	8,000 psi	20,000 psi	18 Lb.
317882-7	7'	3/8" NPTF(m) x 3/8" NPTR(m)	3/8"	8,000 psi	20,000 psi	2.9 Lb.

**Air/Water Hoses**

Product #	Length	Coupling Specification	Hose ID	Working Pressure	Burst Pressure	Weight
317803-3	3'	1/4" NPTF(m) x 1/4" NPTF(m)	3/8"	200 psi	800 psi	0.7 Lb.
317803-7	7'	1/4" NPTF(m) x 1/4" NPTF(m)	3/8"	200 psi	800 psi	1 Lb.
317803-25	25'	1/4" NPTF(m) x 1/4" NPTF(m)	3/8"	200 psi	800 psi	3.2 Lb.
317803-30	30'	1/4" NPTF(m) x 1/4" NPTF(m)	3/8"	200 psi	800 psi	4.1 Lb.
317803-40	40'	1/4" NPTF(m) x 1/4" NPTF(m)	3/8"	200 psi	800 psi	5.4 Lb.
317803-50	50'	1/4" NPTF(m) x 1/4" NPTF(m)	3/8"	200 psi	800 psi	8.9 Lb.
317807-5F	5 1/2'	3/8" NPTF(m) x 1/4" NPTF(m)	1/2"	200 psi	800 psi	1.6 Lb.
317809-5F	5 1/2'	1/2" NPTF(m) x 1/4" NPTF(f)	1/2"	200 psi	800 psi	1.6 Lb.
317811-5	5'	1/2" NPTF(m) x 1/2" NPTF(m)	1/2"	200 psi	800 psi	1.3 Lb.
317811-15	15'	1/2" NPTF(m) x 1/2" NPTF(m)	1/2"	200 psi	800 psi	4.3 Lb.
317811-50	50'	1/2" NPTF(m) x 1/2" NPTF(m)	1/2"	200 psi	800 psi	10 Lb.
317811-80	80'	1/2" NPTF(m) x 1/2" NPTF(m)	1/2"	200 psi	800 psi	20.4 Lb.

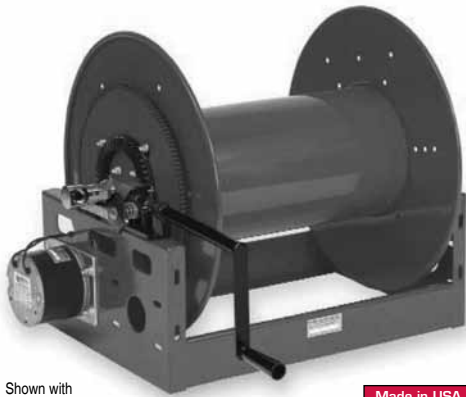
**Fuel Hoses**

Product #	Length	Coupling Specification	Hose ID	Working Pressure	Burst Pressure	Weight
317869-50	70'	1" NPTF(m) x 1" NPTF(m)	1"	1,000 psi	4,000 psi	32.6 Lb.

**Welding Hoses**

Product #	Length	Coupling Specification	Hose ID	Working Pressure
339539-50	50'	9/16"-18(f)	1/4" Twin	200 psi

## LARGE CAPACITY REEL - 8110 SERIES



Shown with Optional Bevel Crank

Made in USA

**FEATURES:**

- Meets or Exceeds Military Vibration for Truck Transport test – MIL-STD-810F 500,000 mile equivalent.
- Long Service Life – The spool axle is supported by independent self-aligning bearing.
- Ultimate Corrosion Resistance – Individually powder coated components insure maximum coverage resistance to corrosion. Stainless steel fasteners are standard.

**Power/Manual Rewind Hose Reels**

1" Fluid Path for 1/2" through 1" I.D. Hose

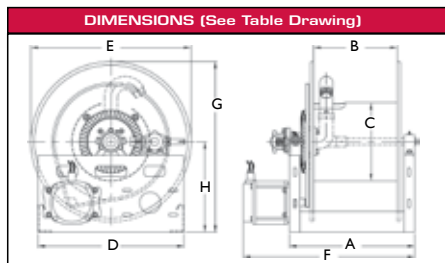
**REWIND:** 1/2" pitch chain and sprocket drive powered by A.C. or D.C. electric motor.

**INLET:** 1" female NPT 90° swivel joint.

**GOOSENECK:** 1" female NPT outlet.

ADD 12" to E dimension when crank is in rewind position.

Standard seals, maximum temperature 174° F (79° C) and minimum temperature -20° F (-29° C).



HOSE I.D.	in	1/2	3/4	1	HOSE CAPACITY AND REEL DIMENSIONS											
HOSE O.D.	in	7/8	1 9/32	1 9/16												
	mm	22	33	40												
MODEL	HOSE LENGTH				EST. WEIGHT		A	B	C	D	E CRK	E ELC	F CRK	F ELC	G	H
8110-1916	ft m	200 61	100 30	50 15	70 LB 31 KG	in mm	21 533	16 406	11 1/4 286	21 533	19 533	19 533	26 660	29 737	22 1/2 572	13 330
8110-2314	ft m	315 96	150 46	100 30	74 LB 34 KG	in mm	20 508	14 356	11 1/4 286	21 533	23 584	23 584	24 610	27 686	24 1/2 622	13 330
8110-2318	ft m	485 148	240 73	150 46	78 LB 35 KG	in mm	24 610	18 457	11 1/4 286	21 533	23 584	23 584	28 711	31 787	24 1/2 622	13 330
8110-2324	ft m	625 191	300 91	200 61	84 LB 38 KG	in mm	30 762	24 610	11 1/4 286	21 533	23 584	23 584	34 864	37 940	24 1/2 622	13 330
8110-3116	ft m	900 274	400 122	300 91	80 LB 36 KG	in mm	22 559	16 406	11 1/4 286	24 610	31 787	31 787	26 660	29 737	32 1/2 826	17 432

Series	Head Dia.	Drum Length	Drive Options		Thread Size- Inlet/Outlet	Inlet/Outlet Type	Thread Style	Fluid Path Material	Pressure	Inlet Style	Fluid Path Location/Direction				Color					
8110	19	14	EP	12v DC Explosion Proof Electric Motor	10	1"	FF	Female In	NP	NPT	D	Steel	3K	0-3000	2	90 Degree	1	Left Hand Top Wind	M	Alemite Red
				115v AC Electric Explosion Proof Motor													2	Left Hand Bottom Wind	G	Grey
				24v DC Electric Explosion Proof Motor													3	Right Hand Top Wind	B	Black
				Bevel Crank													4	Right Hand Bottom Wind	W	White
				Air Motor															S	Silver
			H	Hydraulic Motor																

**Part No. Example:**

**8110-1916EP-10FFNP3K21M**

- 8110 (Series 8110 Hose Reel)
- 19 (19" Head Dia.)
- 16 (16" Drum Length)
- 10 (1" Thread Size)
- NP (NPT Thread Size)
- 3K (0-3000 PSI)
- 1 (Left Hand Top Wind Fluid Path Location/Direction)
- EP (12v DC Explosion Proof Electric Motor)
- EA (115v AC Electric Explosion Proof Motor)
- EJ (24v DC Electric Explosion Proof Motor)
- BC (Bevel Crank)
- A (Air Motor)
- H (Hydraulic Motor)
- FF (Female In/Out Thread Type)
- D (Steel Fluid Path)
- 2 (90° Inlet)
- M (Color, Alemite Red)

**Additional Options Available:**

Hose Guide, Chain Shroud, and Motor Controls

<b>Note:</b> Weights shown in chart are for crank rewind models.	Suffix	Motor	LB/KG
	EP,EA,EJ	Electric	42/19
Add these amounts for power rewind models	A	Air	26/12
	H	Hydraulic	26/12



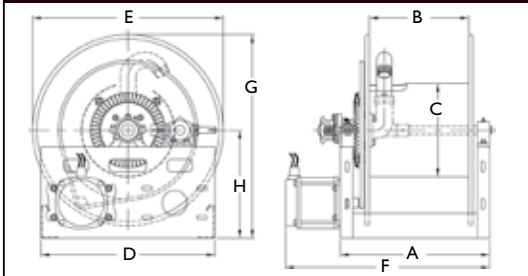
## LARGE CAPACITY REEL - 8120 SERIES



Shown with Optional Bevel Crank

Made in USA

**DIMENSIONS (See Table Drawing)**



**FEATURES:**

- Meets or Exceeds Military Vibration for Truck Transport test – MIL-STD-810F 500,000 mile equivalent.
- Long Service Life – The spool axle is supported by independent self-aligning bearing.
- Ultimate Corrosion Resistance – Individually powder coated components insure maximum coverage resistance to corrosion. Stainless steel fasteners are standard.

**Power/Manual Rewind Hose Reels**

1/2" Fluid Path for 1" through 1 1/2" I.D. Hose

**REWIND:** 1/2" pitch chain and sprocket drive powered by A.C. or D.C. electric motor.

**INLET:** 2" straight victaulic connection with 1/2" female NPT straight swivel joint on all models or 2", 90° victaulic with 1/2" female NPT. Available when specified.

**GOOSENECK:** 1/2" female NPT outlet standard on all models. 1" and 1 1/4" available when specified.

ADD 12" to E dimension when crank is in rewind position.

Standard seals, maximum temperature 174° F (79° C) and minimum temperature -20° F (-29° C).

HOSE I.D.	in	mm	1 25	1 1/4 32	1 3/8 35	1 1/2 38	HOSE CAPACITY AND REEL DIMENSIONS												
HOSE O.D.	in	mm	1 9/16 40	1 13/16 46	2 51	2 1/16 52													
MODEL	HOSE LENGTH				EST. WEIGHT		A	B	C	D	E CRK	E ELC	F CRK	F ELC	G	H			
8120-2512	ft	m	95 29	85 26	55 17	50 15	89 LB 40 KG	in	mm	18 457	12 305	11 1/4 286	21 533	25 635	25 635	22 559	25 635	26 1/2 673	14 356
8120-3112	ft	m	210 64	155 47	115 35	105 32	92 LB 42 KG	in	mm	18 457	12 305	11 1/4 286	24 610	31 787	31 787	22 559	25 635	32 1/2 826	17 432
8120-3116	ft	m	305 93	205 62	155 47	150 46	96 LB 44 KG	in	mm	22 559	16 406	11 1/4 286	24 610	31 787	31 787	26 660	29 737	32 1/2 826	17 432
8120-3120	ft	m	365 111	275 84	200 61	190 58	100 LB 45 KG	in	mm	26 660	20 508	11 1/4 286	24 610	31 787	31 787	30 762	33 838	32 1/2 826	17 432

Series	Head Dia.	Drum Length	Drive Options		Thread Size-Outlet	Outlet Type	Thread Style	Fluid Path Material	Pressure	Inlet Style	Fluid Path Location/Direction		Color						
8120	25	12	EP	12v DC Electric Explosion Proof Motor	10	1"	F	A	LP	I	1	1	M						
			EA	115v AC Electric Explosion Proof Motor															
	20	EJ	24v DC Electric Explosion Proof Motor	12	1 1/4"	2								2	2	3	4	G	B
		BC	Bevel Crank																
		A	Air Motor																
		H	Hydraulic Motor																
15	1 1/2"	15	1 1/2"	15	1 1/2"	15	15	15	15	15	15	15	15						
														15	15				

**Part No. Example:**  
**8120-2512EP-15FNPALP21M**

- 8120 (Series 8120 Hose Reel)
- 25 (25" Head Dia.)
- 12 (12" Drum Length)
- 15 (1 1/2" Inlet Thread Size)
- NP (NPT Thread Style)
- LP (0-600 PSI)
- 1 (Left Hand Top Wind Fluid Path Location/Direction)
- EP (12v DC Explosion Proof Electric Motor)
- F (Female Outlet Thread Type)
- A (Aluminum Fluid Path)
- 2 (90° Inlet)
- M (Color, Alemite Red)

**2" Victaulic Connection with 1/2" NPT Inlet Standard**

Additional Options Available:  
Hose Guide, Chain Shroud, and Motor Controls

<b>Note:</b> Weights shown in chart are for crank rewind models.	Suffix	Motor	LB/KG
Add these amounts for power rewind models	EP,EA,EJ	Electric	42/19
	A	A	26/12
	H	Hydraulic	26/12

## LARGE CAPACITY REEL - 8130 SERIES



Shown with  
Optional Bevel Crank

Made in USA

### FEATURES:

- Meets or Exceeds Military Vibration for Truck Transport test – MIL-STD-810F 500,000 mile equivalent.
- Long Service Life – The spool axle is supported by independent self-aligning bearing.
- Ultimate Corrosion Resistance – Individually powder coated components insure maximum coverage resistance to corrosion. Stainless steel fasteners are standard.

### Power/Manual Rewind Hose Reels

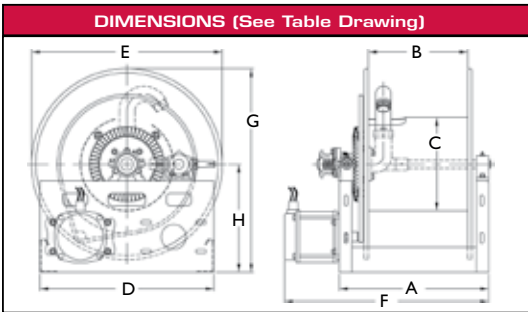
2" Fluid Path for 1 1/2" - 2" I.D. Hose

**REWIND:** 1/2" pitch chain and sprocket drive powered by A.C. or D.C. electric motor, compressed air or hydraulic motor.

**INLET:** 2" straight victaulic connection is standard or a 2" male NPT available if specified. 2" victaulic 90° also available when specified.

**GOOSENECK:** 2" female NPT.

Standard seals, maximum temperature 174° F (79° C) and minimum temperature -20°F (-29°C).



HOSE I.D.	in mm	1 1/2 13	2 51	HOSE CAPACITY AND REEL DIMENSIONS												
				HOSE O.D.	in mm	2 1/16 52	2 9/16 65	MODEL	HOSE LENGTH	EST. WEIGHT	A	B	C	D	E CRK	E ELC
8130-2520	ft m	65 20	55 17	124 LB 56 KG	in mm	26 660	20 508	15 381	21 533	25 635	25 635	30 762	33 838	26 1/2 673	14 356	
8130-2532	ft m	115 35	90 27	136 LB 62 KG	in mm	38 965	32 813	15 381	21 533	25 635	25 635	42 1067	45 1143	26 1/2 673	14 356	
8130-3916	ft m	225 69	140 43	182 LB 83 KG	in mm	22 559	16 406	15 381	24 610	39 991	39 991	26 660	29 737	40 1/2 1029	21 533	

Series	Head Dia.	Drum Length	Drive Options	Thread Size-Inlet	Inlet Type	Thread Style	Fluid Path Material	Pressure	Inlet Style	Fluid Path Location/Direction	Color	
8130	25	16	EP 12v DC Explosion Proof Elec. Motor	20	2"	V Victaulic	NP NPT	A Aluminum	LP 0-600	1 Straight	1 Left Hand Top Wind	M Alemite Red
			EA 115v AC Electric Explosion Proof Motor								2 Left Hand Bottom Wind	G Grey
			EJ 24v DC Electric Explosion Proof Motor								3 Right Hand Top Wind	B Black
			BC Bevel Crank								4 Right Hand Bottom Wind	W White
			A Air Motor								S Silver	
H Hydraulic Motor												

### Part No. Example:

**8130-2520EP-20VNPALP11M**

8130 (Series 8130 Hose Reel)

-25 (25" Head Dia.)

-20 (20" Drum Length)

-20 (2" Thread Size)

NP (NPT Thread Style)

LP (0-600 PSI)

1 (Left Hand Top Wind Fluid Path Location/Direction)

EP (12v DC Expl. Proof Electric Motor)

V (Victaulic Outlet)

A (Aluminum Fluid Path)

1 (Straight Inlet)

M (Color, Alemite Red)

2" female NPT Gooseneck Outlet Standard

Additional Options Available:

Hose Guide, Chain Shroud, and Motor Controls

Note:	Suffix	Motor	LB/KG
Weights shown in chart are for crank rewind models.	EP,EA,EJ	Electric	42/19
Add these amounts for power rewind models	A	Air	26/12
	H	Hydraulic	26/12



# CONTROL VALVES AND METERS



- ▶ Electronic Meters
- ▶ Mechanical Meters
- ▶ Preset Meters
- ▶ Non-metered Control Valves

Alemite Control Valves and Meters offer consistent, reliable and accurate dispensing of fluids. Each item offers a proven, ergonomic design for simple and comfortable use. They can be used to dispense oil, grease, automatic transmission fluid, and other petroleum based products.

# CONTROL VALVES AND METERS

## METERS

Alemite Electronic and Mechanical Meters provide consistent, reliable performance for dispensing applications.

### Electronic

The versatile Alemite Electronic Meter is designed for accurate, high volume dispensing of a wide range of fluids.



**FEATURES:**

- Electronic digital readout
- Ergonomic trigger design for easy dispensing
- Rubber guard to protect meter from damage
- Measures in pints, quarts, gallons or liters
- Displays current fluid delivery, and registers total amount of fluid used
- Easy to calibrate – no disassembly required
- Uses 2 standard AAA batteries, replaceable with a coin screw on back of meter
- Low battery indicator
- Fluid compatibility – Oil, gear oil, transmission fluid

Product #	Description	Fluids	Measures	Totalizes	Extension	Non-Drip Tip	Battery	Weight
3670-B	Electronic Meter	Oil	Quart	Gallon	Rigid	Manual	2 x AAA	3 Lb.
3670-BL	Electronic Meter	Oil	Liter	Liter	Rigid	Manual	2 x AAA	3 Lb.
3671-B	Electronic Meter	Oil	Quart	Gallon	Flexible	Manual	2 x AAA	3 Lb.
3671-BL	Electronic Meter	Oil	Liter	Liter	Flexible	Manual	2 x AAA	3 Lb.
3674-C	Electronic Meter	Oil	Gallon	Gallon	Rigid	High-Volume Manual	2 x AAA	3 Lb.
3674-CL	Electronic Meter	Oil	Liter	Liter	Rigid	High-Volume Manual	2 x AAA	3 Lb.
3679	In-Line Electronic Meter	Oil	Quart	Gallon	NA	NA	2 x AAA	0.83 Lb.
3670	Electronic Meter	Oil	Quart	Gallon	Rigid	Automatic	2 x AAA	3 Lb.
3671	Electronic Meter	Oil	Quart	Gallon	Flexible	Automatic	2 x AAA	3 Lb.
3671-A	Electronic Meter	Oil	Liter	Liter	Flexible	Automatic	2 x AAA	3 Lb.
3672-B	Electronic Meter	Transmission Fluid	Quart	Gallon	Flexible	Manual	2 x AAA	3 Lb.
3672-BL	Electronic Meter	Transmission Fluid	Liter	Liter	Flexible	Manual	2 x AAA	3 Lb.
3672	Electronic Meter	Transmission Fluid	Quart	Gallon	Flexible	Automatic	2 x AAA	3 Lb.
3673	Electronic Meter	Gear Oil	Pint	Gallon	Rigid	Automatic	2 x AAA	3 Lb.
3673-L	Electronic Meter	Gear Oil	Liter	Liter	Rigid	Automatic	2 x AAA	3 Lb.

# CONTROL VALVES AND METERS

## METERS

### Electronic Preset

Alemite's Electronic Preset Meter provides for fluid dispensing with the accuracy of electronic sensing.



**3640-1**

**FEATURES:**

- Oval gear meter design for high count precision and low flow resistance
- Automatically shuts off when the preset fluid amount has been dispensed
- Emergency manual shut off and manual mode for “topping off”
- Customizable features include automatic reset of batch total, calibration, and precision stopping calibration
- Stores up to 6 preset quantities, plus last quantity
- 7 digit accumulative totalizer provides total for life of the meter
- Extension has 5 pre-set positions within a 75 degree range for easy dispensing. Locking extension can only be moved by pushing the safety release button
- Uses 4 standard AA batteries, in an easy to replace cartridge
- Low battery indicator
- Fluid compatibility – Oil, gear oil, ATF, diesel fuel, antifreeze, hydraulic fluid

Product #	Description	Fluids	Measures	Totalizes	Extension	Non-Drip Tip	Battery	Weight
3640-1	Electronic Preset Meter	Oil, Gear Oil, ATF, Hydraulic Fluid	Qt., Pt., Gal., Ltr.	Gal., Ltr.	Rigid	Automatic	4 x AA	3 lb.
3641-1	Electronic Preset Meter	Oil, Gear Oil, ATF, Hydraulic Fluid	Qt., Pt., Gal., Ltr.	Gal., Ltr.	Flexible	Automatic	4 x AA	3 lb.
3643-1	Electronic Preset Meter	Oil, Gear Oil, ATF, Hydraulic Fluid	Qt., Pt., Gal., Ltr.	Gal., Ltr.	Rigid	Automatic/Manual Lock	4 x AA	3 lb.
3644-C1	Electronic Preset Meter	Oil, Gear Oil, ATF, Hydraulic Fluid	Qt., Pt., Gal., Ltr.	Gal., Ltr.	Rigid	Manual High Volume	4 x AA	3 lb.

# CONTROL VALVES AND METERS

## METERS

### Electronic Grease

The Alemite Electronic Grease Meter works with virtually any type of grease dispensing valve or grease gun. This in-line meter provides accurate and reliable grease delivery, optimizing lubrication consumption while ensuring components receive appropriate lubrication.



**3530**

**FEATURES:**

- Resettable, easy to read LCD indicates batch and cumulative totals
- Oval gear technology
- Accurately displays amount of grease dispensed, allowing user to deliver required lubrication
- Decreases lubricant waste

**Requires Adapter Kit**

- Battery Powered Guns: 340062
- 500 Series Manual Guns: 41531
- 6320-3 Control Valve: 327899-3
- 6243-J3 and 6679-J3 Guns: 306722
- Lincoln Guns: 340180

Product #	Description	Operating Pressure (max.)	Flow Rate	Thread Sizes	Battery	Unit of Measure	Weight
3530	Electronic Grease Meter	10,000 psi/ 700 bar	0.2 - 5.5 lb./minute	1/8" NPTF(f) in and out	2 x 1.5V Size N	Oz., Lb.	1.2 Lb.
3530-A	Electronic Grease Meter	10,000 psi/ 700 bar	0.2 - 5.5 lb/minute	1/8" NPTF(f) in and out	2 x 1.5V Size N	G., Kg.	1.2 Lb.
3530-B	Electronic Grease Meter	10,000 psi/ 700 bar	0.4 - 11 lb/minute	1/4" NPTF(f) in and out	2 x 1.5V Size N	Oz., Lb.	1.2 Lb.
3530-C	Electronic Grease Meter	10,000 psi/ 700 bar	0.4 - 11 lb/minute	1/4" NPTF(f) in and out	2 x 1.5V Size N	G., Kg.	1.2 Lb.

# CONTROL VALVES AND METERS

## METERS

### Mechanical

Alemite Mechanical Meters feature a classic dial design to accurately measure and totalize fluids dispensed.



**3685-F**

**FEATURES:**

- Large, easy to read dial face
- Totalizer keeps lifetime record of fluid dispensed
- Includes internal filter screen to prevent contaminants from entering the meter
- 1,000 psi maximum operating pressure
- Fluid compatibility – Oil, gear oil, ATF

Product #	Dial Registers	Fluids	Odometer Registers	Dial Range	Extension	Non-Drip Tip	Weight
3685-A	Liter	Oil	Liter	Liter (0-10)	Flexible	Automatic	5 Lb.
3685-B	Quart	Oil	Gallon	Quart (0-16)	Rigid	Automatic	5 Lb.
3685-F	Quart	Oil	Gallon	Quart (0-16)	Flexible	Manual	5 Lb.
3685-G	Quart	Oil	Quart	Quart (0-16)	Flexible	Manual	5 Lb.
3685-M	Quart	Oil	Liter	Liter (0-10)	Rigid	Automatic	5 Lb.
3686-B	Quart	ATF	Gallon	Quart (0-16)	Flexible	Automatic	5 Lb.

### Mechanical Preset

Alemite Mechanical Preset Meters feature a classic dial design to accurately measure and totalize fluid dispensed, where automatic fill capability is important.



**3690-C**

**FEATURES:**

- Large, easy to read dial face
- Meter automatically shuts off when preset amount has been dispensed
- Latch control permits shut off during operation
- 1,000 psi maximum operating pressure
- Non-drip nozzle included
- Fluid compatibility – Oil, gear oil, ATF
- Valve inlet: 1/2" NPTF(f) with swivel

Product #	Dial Registers	Fluids	Odometer Registers	Dial Range	Extension	Non-Drip Tip	Weight
3690-C	Quart	Gear Oil, Motor Oil, ATF	Gallon	Quart (0- 60)	Rigid	Manual High Volume	5.1 Lb.
3691-C	Gallon	Gear Oil, Motor Oil, ATF	Gallon	Gallon (0-15)	Rigid	Manual High Volume	5.1 Lb.
3692-C	Quart	AntiFreeze	Quart	Quart (0-60)	Rigid	Manual High Volume	5.1 Lb.
3693-C	Liter	Gear Oil, Motor Oil, ATF	Liter	Liter (0-60)	Rigid	Manual High Volume	5.1 Lb.
3696-C	Quart	Gear Oil, Motor Oil, ATF	Quart	Quart (0-16)	Rigid	Manual High Volume	5.1 Lb.

# CONTROL VALVES AND METERS

## HIGH VOLUME

Alemite High Volume Control Valves and Meters will transfer fluids at very high flow rates (up to 30 gallons/80 liters per minute), with operating pressures up to 1,500 psi/100 bars (1,000 psi/70 bars with meter). The rugged metal construction is designed to handle tough work environments.

### 3/4" Control Valves



**3570-A**

**3571-A**

**FEATURES:**

- Available with flexible or rigid extension
- Nozzle tip with automatic on/manual off
- 3/4" NPTF(f) inlet, with swivel
- Lever locking handle
- Lever guard
- Operating temperature - 22°F to 122°F (-5°C to 50°C)

Product #	Description	Fluids	Measures	Totalizes	Extension	Non-Drip Tip	Battery	Weight
3570-A	Control Valve, non-metered	Oil	NA	NA	Rigid	Manual	NA	2.4 Lb.
3571-A	Control Valve, non-metered	Oil	NA	NA	Flexible	Manual	NA	2.4 Lb.

### 3/4" Metered Control Valves



**3570-B**

**3571-B**

**FEATURES:**

- Available with flexible or rigid extension
- Nozzle tip with automatic on/manual off
- 3/4" NPTF(f) inlet, with swivel
- Lever locking handle
- Lever guard
- Operating temperature - 22°F to 122°F (-5°C to 50°C)
- Meter uses 2 AAA batteries

Product #	Description	Fluids	Measures	Totalizes	Extension	Non-Drip Tip	Battery	Weight
3570-B	Control Valve with Electronic Meter	Oil	Quart	Gallons/Liters	Rigid	Manual	2 x AAA	5.7 Lb.
3571-B	Control Valve with Electronic Meter	Oil	Quart	Gallons/Liters	Flexible	Manual	2 x AAA	5.8 Lb.
3579	Electronic Meter	Oil	Quart	Gallons/Liters	NA	NA	2 x AAA	1.2 Lb.



# CONTROL VALVES AND METERS

## CONTROL VALVES

Alemite Control Valves provide consistent, long lasting performance in dispensing oil and other fluids.



**6320-3**

### High Pressure Grease Valve

Alemite's High Pressure Control Valve provides continuous flow with the trigger fully depressed, and delivers measured, pre-set amounts with the trigger partially depressed.

Product #	Description	Material Inlet	Pressure	Weight
6320-3	High Pressure Control Valve	1/4" NPTF(F)	7,500 psi	2.8 Lb.



**6438**

### High Volume Grease Valve

The Alemite High Volume Control Valve is designed for medium pressure, high volume use, and is an ideal choice for transferring grease from bulk containers.

Product #	Description	Material Outlet	Material Inlet	Pressure	Weight
6438	High Volume Control Valve	1/4" NPTF(F)	3/8" NPTF(F)	5,000 psi	2.4 Lb.

# CONTROL VALVES AND METERS

## CONTROL VALVES

### Oil Valves

Alemite Control Valves for oil and other fluids are available with a variety of nozzles to meet your specific application needs.



**FEATURES:**

- Ergonomic trigger design for easy operation, reducing operator fatigue
- Locking mechanism to allow free flow dispensing
- Cam piston design for consistent operation
- Push to open trigger prevents inadvertent dispensing of fluid

Product #	Description	Material Inlet	Extension	Non-Drip Tip	Max Pressure	Min Pressure	Weight
339100	Non-Metered Control Valve	1/2" NPTF(f)	NA	NA	1,500 psi	30 psi	1.5 lb
7492	Non-Metered Control Valve	1/2" NPTF(f)	Rigid	Automatic/Manual Lock	1,500 psi	30 psi	2.6 lb
7498	Non-Metered Control Valve	1/2" NPTF(f)	Rigid	Automatic	1,500 psi	60 psi	2.6 lb
7498-A	Non-Metered Control Valve	1/2" NPTF(f)	Flexible	Automatic	1,500 psi	60 psi	2.6 lb
7498-C	High-Volume Control Valve	1/2" NPTF(f)	Rigid	Manual High Volume	1,500 psi	30 psi	2.8 lb
7836-C1	High-Volume Control Valve	1/2" NPTF(f)	NA	NA	2,000 psi	0 psi	2.7 lb



# CONTROL VALVES AND METERS

## MISCELLANEOUS

### Non-Drip Nozzles

Alemite Non-Drip Nozzles help prevent drips and spills, for a cleaner, safer work space. The nozzles are available with an automatic shut off, or manual twist lock mechanism.

Product #	Description	Used with	Thread Sizes
B339800	Automatic Assembly (blister pack)	3620 series, 3621, 3621-A, 3622, 3622-A, 3640 series, 3641-I, 3686-I, 3686-B, 7948	1/4" NPTF(f)
339084	Manual	3620-B, 3621-B, 3641-BI, 3670-B, 3670-BL, 3671-B, 3671-BL, 3672-B, 3672-BL, 3685-J, 3685-F, 3685-G	1/4" NPTF(f)
340084	Manual High-Volume	3624-C, 3644-CI, 3674-C, 3691-C, 3690 series, 7498-C	1/2" NPTF(f)

### Water Bib

Alemite's Water Bib manual dispensing valve is suitable for dispensing water, antifreeze, or windshield washer fluid. Inlet size is 1/4".



**BSWA321**



# INDUSTRIAL LUBRICATION FITTINGS



- ▶ Threaded/Drive
- ▶ Carbon Steel/Monel/Stainless Steel
- ▶ Standard/Metric
- ▶ Specialty
- ▶ Vents/Breathers
- ▶ Couplers
- ▶ Accessories

As the inventor of the zerk fitting, Alemite is a recognized global leader in supplying fittings for automotive and industrial use. Alemite fittings conform to SAE J534 standards for automotive OEM use, and Alemite's manufacturing is TS/ISO 16949 certified.

## THREADED FITTINGS

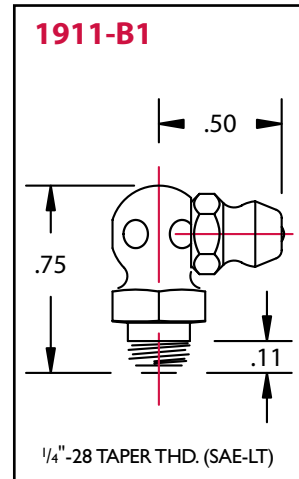
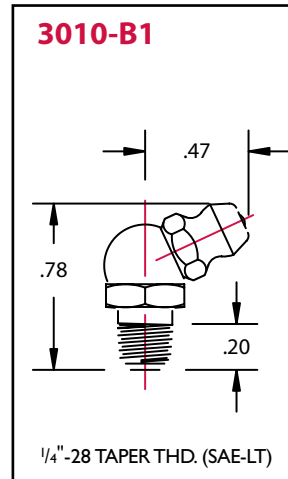
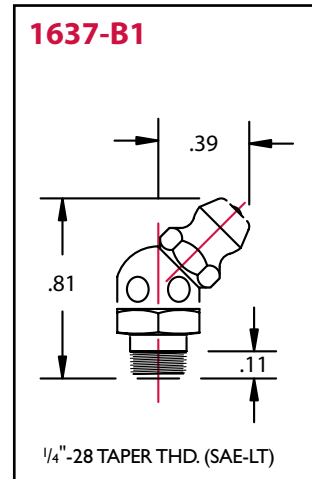
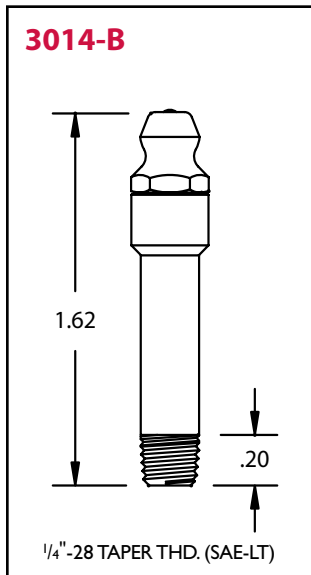
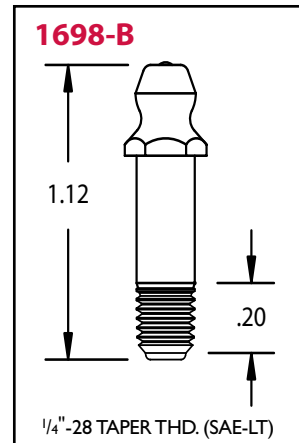
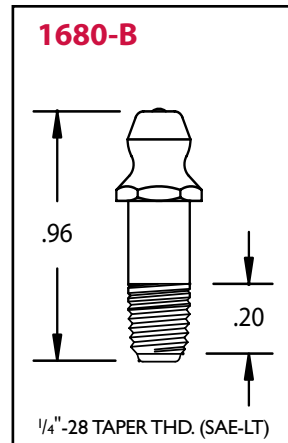
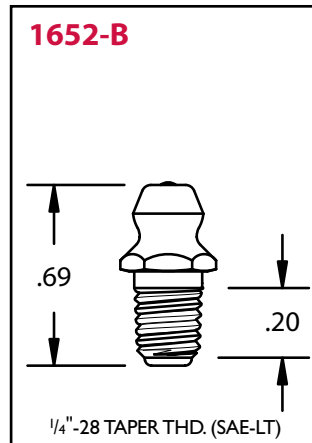
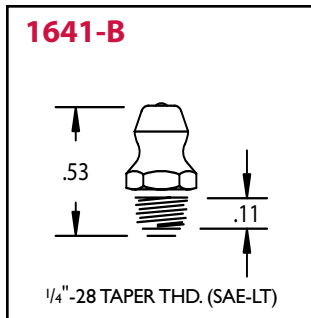
### 1/4"-28 Taper Thread Fittings

ALEMITE 1/4"-28 Taper Thread Fittings are used on most cars and trucks, as well as many industrial machines. It is recommended that SAE-LT taper threads be assembled into 1/4"-28 UNF, Class 3B, straight threaded holes having a modified maximum minor diameter of 0.2151", to ensure 75% minimum thread height.

Product #	Configuration	Hex Size	Overall Length	Shank Length
1641-B	Straight	5/16"	35/64"	3/16"
1652-B	Straight	5/16"	11/16"	23/64"
1680-B	Straight	5/16"	31/32"	5/8"
1698-B	Straight	5/16"	1-1/8"	25/32"
3014-B	Straight	5/16"	1-5/8"	1"
1637-B1	45°	3/8"	13/16"	13/64"
3010-B1	65°	3/8"	25/32"	19/64"
1911-B1	90°	3/8"	3/4"	13/64"

#### FEATURES:

- Exceeds 72 hour salt spray test
- Dirt excluding check ball
- Trivalent zinc plating
- RoHS compliant



**THREADED FITTINGS**

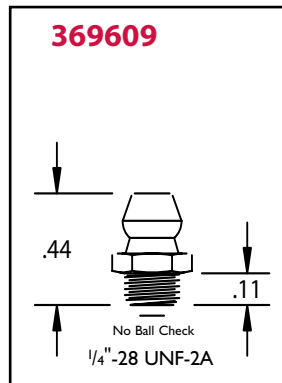
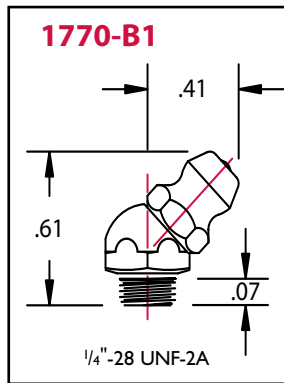
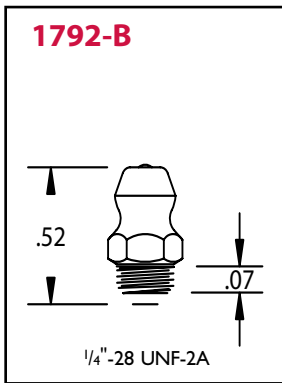
**1/4"-28 Straight Thread Fittings**

Alemite 1/4"-28 Straight Thread Fittings are used on most cars and trucks, as well as many industrial machines.

Product #	Configuration	Hex Size	Overall Length	Shank Length
1792-B	Straight	9/32"	33/64"	5/32"
1770-B1	45°	3/8"	39/64"	1/8"
369609	Straight	5/16"	7/16"	1/8"

**FEATURES:**

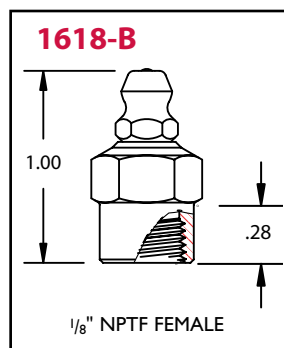
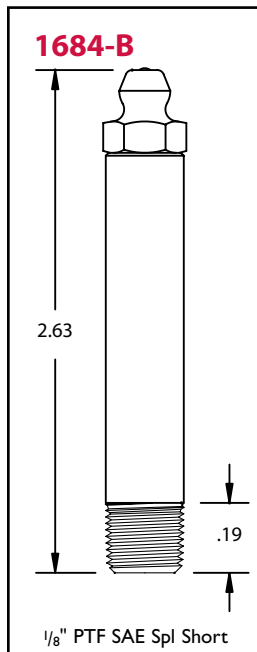
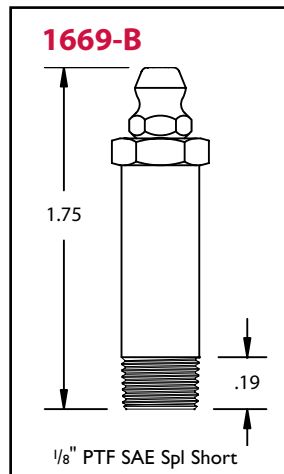
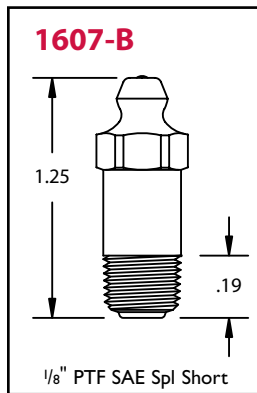
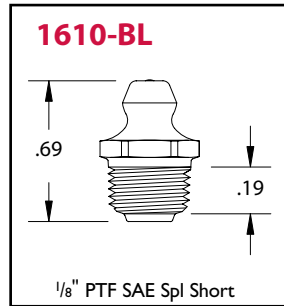
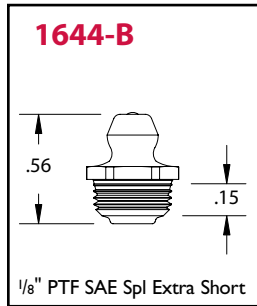
- Exceeds 72 hour salt spray test
- Dirt excluding check ball
- Trivalent zinc plating
- RoHS compliant



## THREADED FITTINGS

### 1/8" PTF Fittings

Alemite 1/8" PTF Fittings are used on industrial machines and heavy equipment.

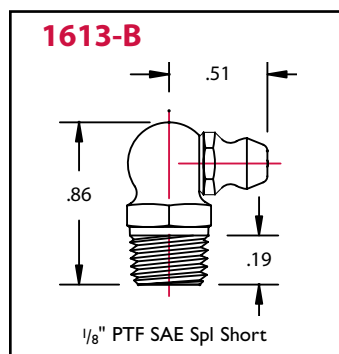
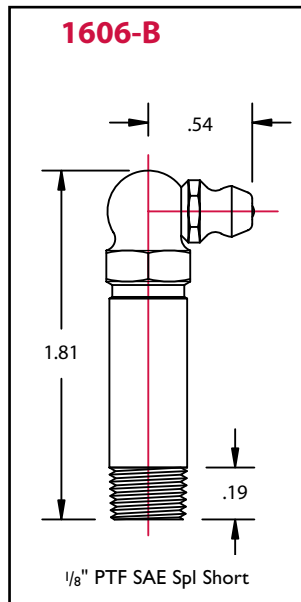
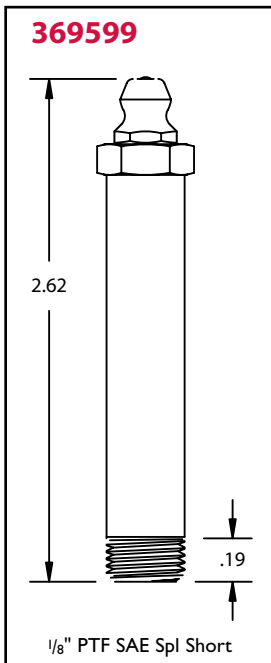
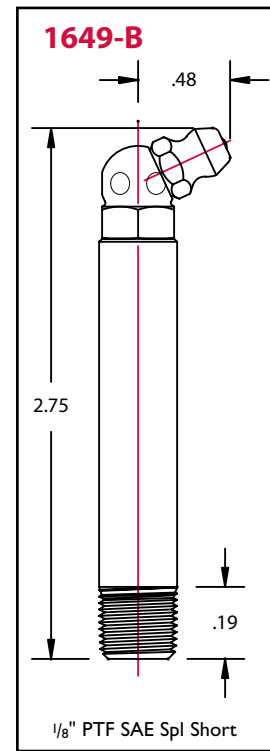
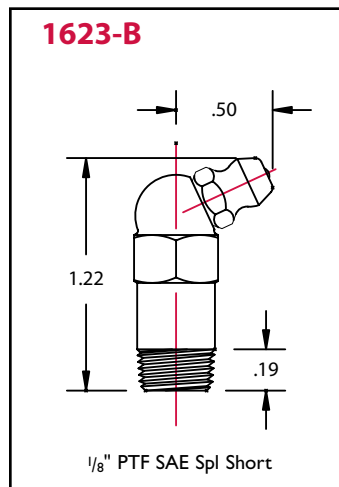
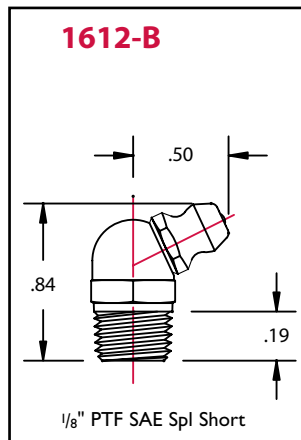
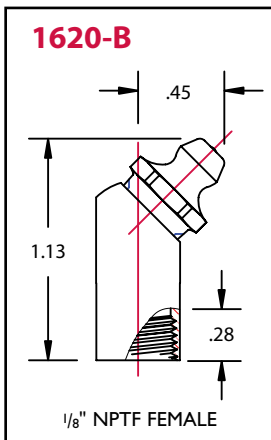
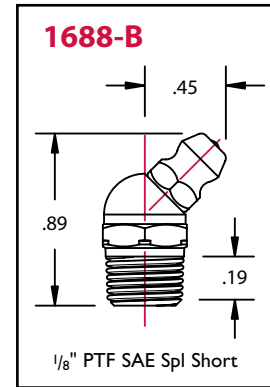
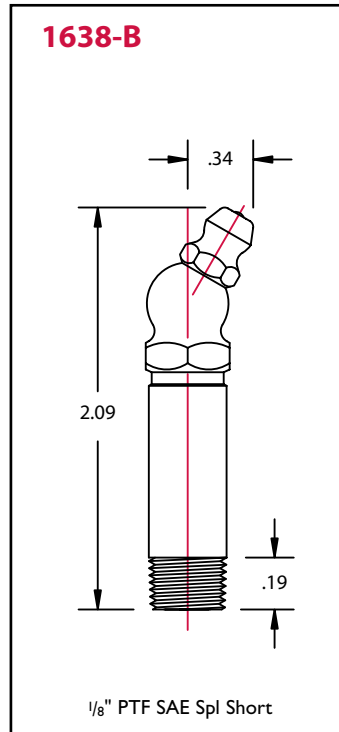
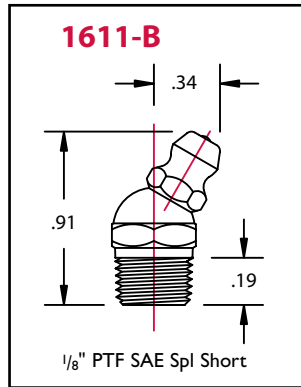
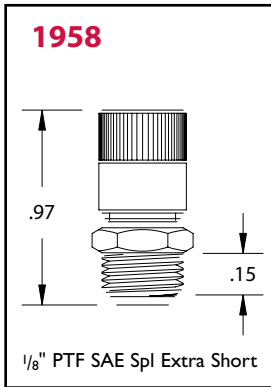


#### FEATURES:

- Exceeds 72 hour salt spray test
- Dirt excluding check ball
- Trivalent zinc plating
- RoHS compliant
- 1958 has specialty cap providing a second seal for dust proof applications

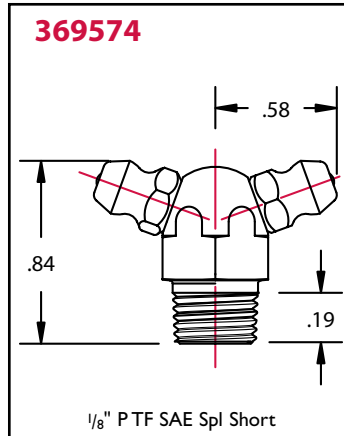
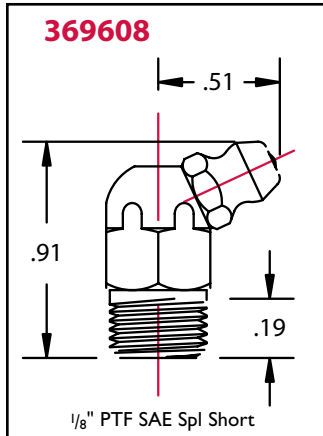
Product #	Configuration	Hex Size	Overall Length	Shank Length
1644-B	Straight	7/16"	9/16"	15/64"
1610-BL	Straight	7/16"	11/16"	19/64"
1607-B	Straight	7/16"	1-1/4"	25/32"
1669-B	Straight	7/16"	1-3/4"	1-17/64"
1684-B	Straight	3/8"	2-5/8"	2-3/16"
1618-B	Straight	1/2"	1"	9/32"
1958	Straight	7/16"	31/32"	1/4"
1611-B	30°	7/16"	29/32"	19/64"
1638-B	30°	7/16"	2-3/32"	1-1/4"
1688-B	45°	7/16"	57/64"	19/64"
1620-B	45°	7/16"	1-1/8"	13/32"
1612-B	65°	7/16"	27/32"	19/64"
1623-B	65°	7/16"	1-7/32"	9/16"
1649-B	65°	3/8"	2-3/4"	2-1/4"
1613-B	90°	7/16"	27/32"	19/64"
1606-B	90°	7/16"	1-13/16"	1-1/4"
369599	Straight	7/16"	2-5/8"	7/32"
369608	65°	7/16"	29/32"	9/32"
369574	Double 70°	1/2"	27/32"	7/32"

## THREADED FITTINGS



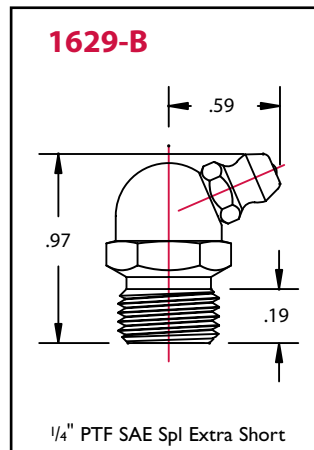
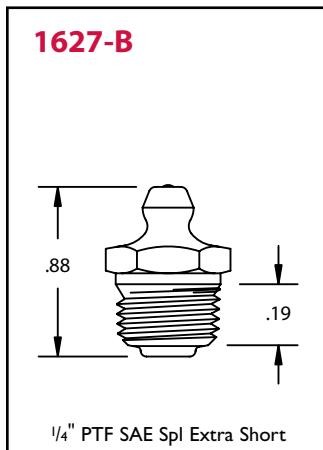


## THREADED FITTINGS



## 1/4" PTF Fittings

Alemite 1/4" PTF Fittings are widely used for larger bearings on farm machinery and heavy industrial equipment. Recommended for heavy lubricants in cold weather.



### FEATURES:

- Exceeds 72 hour salt spray test
- Dirt excluding check ball
- Trivalent zinc plating
- RoHS compliant
- Dry seal eliminates need for sealant

Product #	Configuration	Hex Size	Overall Length	Shank Length
1627-B	Straight	9/16"	7/8"	27/64"
1629-B	67.5°	9/16"	31/32"	11/32"

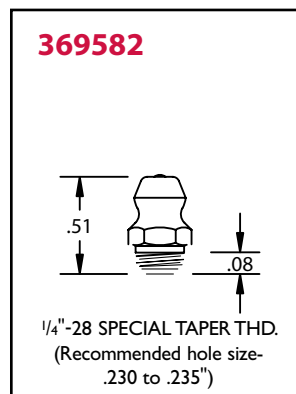
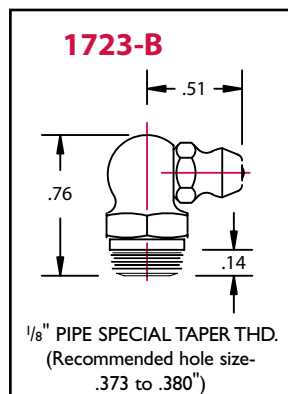
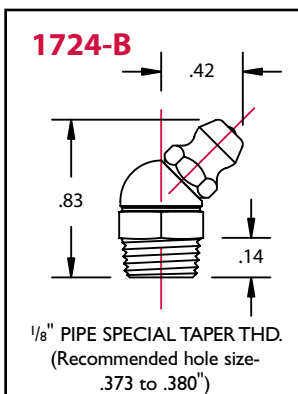
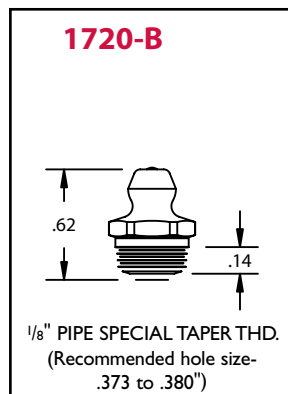
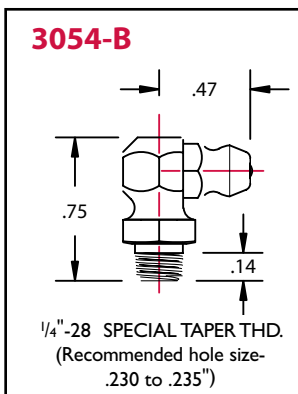
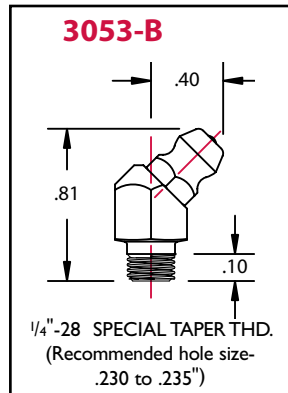
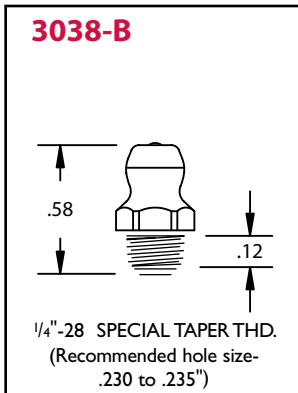
## THREADED FITTINGS

### 1/4"-28 and 1/8" Thread Forming Fittings

Alemite Thread Forming Fittings have special tapered drive threads which reshape the material in an untapped hole to provide a leak proof seal. They are most effectively installed by spinning into the untapped hole, but may be driven straight into the untapped hole. Thread forming fittings can be replaced by any standard threaded fitting or by another thread forming fitting.

#### FEATURES:

- Exceeds 72 hour salt spray test
- Dirt excluding check ball
- Threads provide strong seal
- Dyed yellow for identification
- Trivalent zinc plating
- RoHS compliant

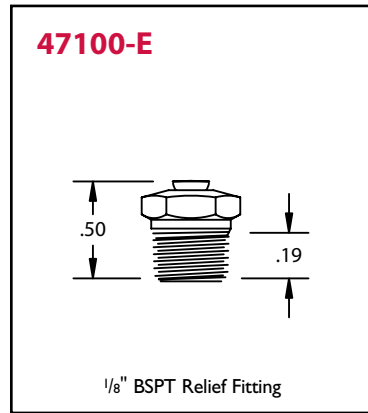


Product #	Configuration	Hex Size	Hole Size recommended
3038-B	Straight	5/16"	.230 - .235
3053-B	45°	3/8"	.230 - .235
3054-B	90°	3/8"	.230 - .235
1720-B	Straight	7/16"	.373 - .380
1723-B	90°	7/16"	.373 - .380
1724-B	45°	7/16"	.373 - .380
369582	Straight	9/32"	.230 - .235

## THREADED FITTINGS

### British Standard Pipe Thread Fittings

Alemite British Standard Pipe Thread Fittings use British Standard Pipe Taper (BSPT) threads.



**FEATURES:**

- Dirt excluding check ball
- Trivalent zinc plating
- RoHS compliant

Product #	Description	Opening Pressure
317400-E	1/8" BSPT Relief Fitting	1/4 to 1 psi
47200-E	1/8" BSPT Relief Fitting	1 to 5 psi
47100-E	1/8" BSPT Relief Fitting	45 to 80 psi

## CORROSION RESISTANT FITTINGS

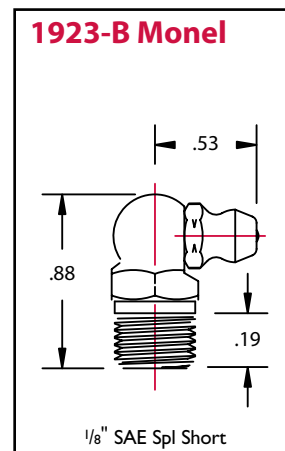
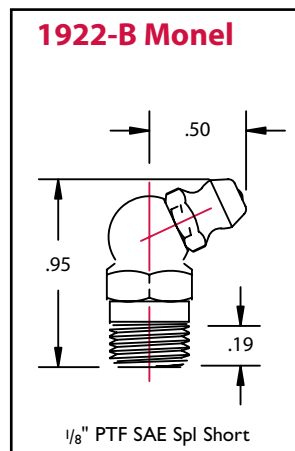
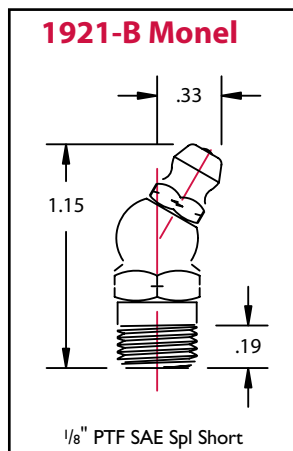
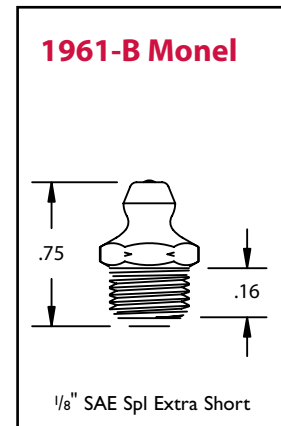
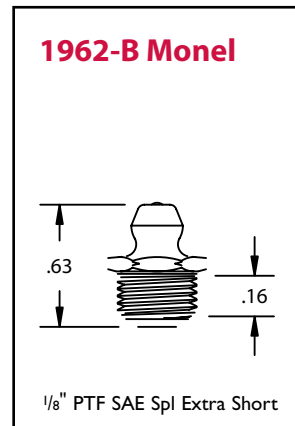
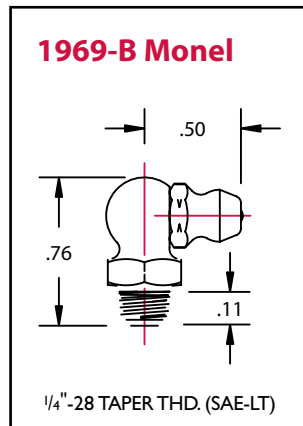
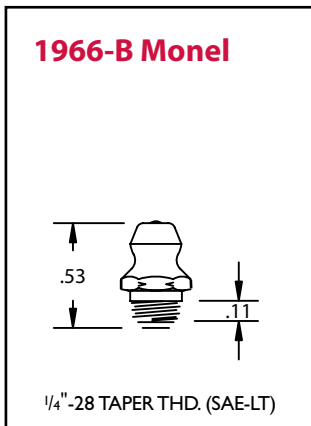
### Monel Fittings

Alemite Monel Fittings withstand the most severe marine and industrial corrosive environments. Monel is a nickel/copper alloy that is highly resistant to corrosion. All monel fittings have a single notch on the hex for easy identification.

Product #	Thread	Configuration	Hex Size	Overall Length	Shank Length
1966-B	1/4"-28 Taper	Straight	5/16"	17/32"	3/16"
1969-B	1/4"-28 Taper	90°	3/8"	3/4"	13/64"
1962-B	1/8" PTF	Straight	7/16"	5/8"	9/32"
1961-B	1/8" PTF	Straight	7/16"	3/4"	5/16"
1921-B	1/8" PTF	30°	7/16"	1-1/4"	11/32"
1922-B	1/8" PTF	67.5°	7/16"	61/64"	11/32"
1923-B	1/8" PTF	90°	7/16"	7/8"	11/32"

**FEATURES:**

- Greater corrosion resistance than stainless steel
- Withstands extreme temperatures ranging from sub-zero to 700°F (371°C)
- Ideal for use in harsh chemical environments and marine applications
- Dirt excluding check ball
- RoHS compliant



## CORROSION RESISTANT FITTINGS

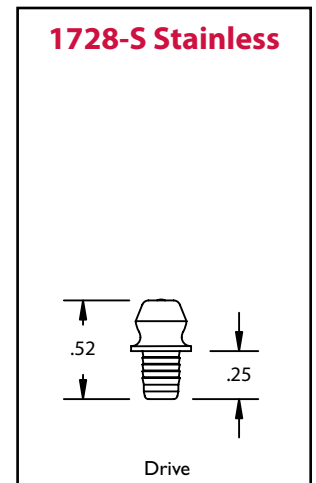
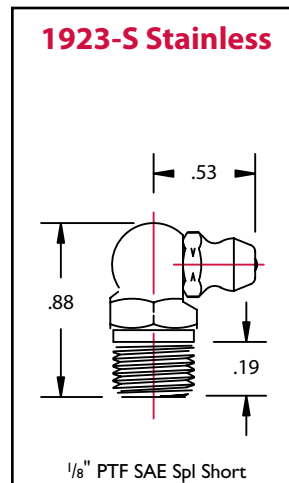
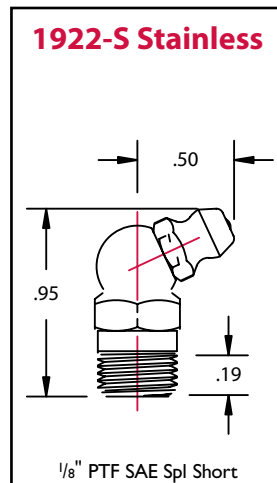
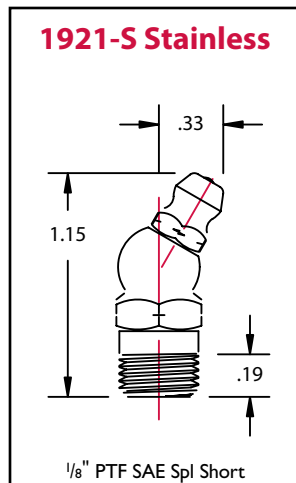
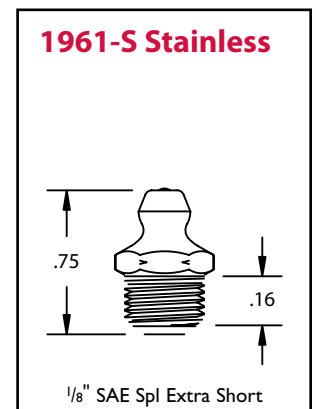
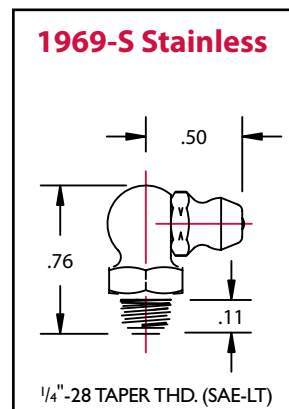
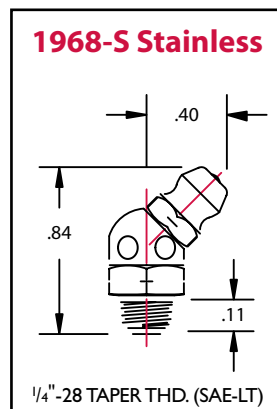
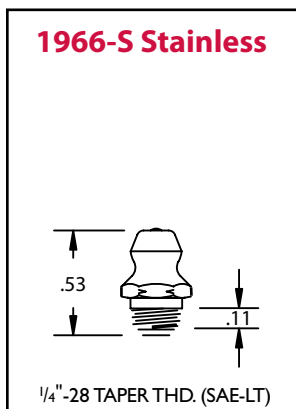
### Stainless Steel Fittings

Alemite Stainless Steel Fittings withstand severely corrosive marine and industrial environments. All stainless steel fittings have 2 notches for easy identification.

Product #	Thread	Configuration	Hex Size	Overall Length	Shank Length
1966-S	1/4"-28 Taper	Straight	5/16"	17/32"	3/16"
1968-S	1/4"-28 Taper	45°	3/8"	13/16"	13/64"
1969-S	1/4"-28 Taper	90°	3/8"	3/4"	13/64"
1961-S	1/8" PTF	Straight	7/16"	3/4"	5/16"
1921-S	1/8" PTF	30°	7/16"	1-1/4"	11/32"
1922-S	1/8" PTF	67.5°	7/16"	61/64"	11/32"
1923-S	1/8" PTF	90°	7/16"	7/8"	11/32"
1728-S	Drive	Straight	5/16"	33/64"	5/16"

#### FEATURES:

- Greater corrosion resistance than carbon steel
- Withstands extreme temperatures ranging from sub-zero to 600°F (315°C)
- Ideal for use in harsh chemical environments and marine applications
- Stainless steel fittings are comprised of Type 303 SS for fitting bodies, Type 440 SS for balls, and Type 302 for tempered springs
- Dirt excluding check ball
- RoHS compliant



## DRIVE FITTINGS

### Straight

Alemite Drive Fittings provide a simple, cost effective alternative to tapping for various applications.

Features:

- Exceeds 72 hour salt spray test
- Used for untapped holes
- Serrated shank provides secure, lasting grip
- Simplifies replacement of damaged fittings in old or oversized holes
- Trivalent zinc plating
- RoHS compliant

Product #	Configuration	Overall Length	Shank Length	Drill Diameter	Ball Check
1736-A	Straight	9/16"	1/4"	1/8"	No
3019	Straight	15/32"	5/32"	1/8"	No
3009	Straight	25/64"	3/32"	3/16"	No
3005	Straight	15/32"	11/64"	3/16"	No
3006	Straight	31/64"	7/32"	3/16"	No
1728-B	Straight	33/64"	1/4"	3/16"	Yes
1633	Straight	5/8"	1/4"	3/16"	No
1743-B	Straight	35/64"	1/4"	1/4"	Yes
1952-A	Straight	15/32"	1/8"	1/4"	No
1608-B	Straight	35/64"	1/4"	5/16"	Yes
1666	Straight	37/64"	7/32"	3/8"	No
369591	Straight Drive	21/50"	NA	3/16"	No
369604	Straight Flush	11/32"	21/64"	1/4"	Yes
369577	Straight	35/64"	1/4"	1/4"	Yes

### Drive Fitting Tools-Straight



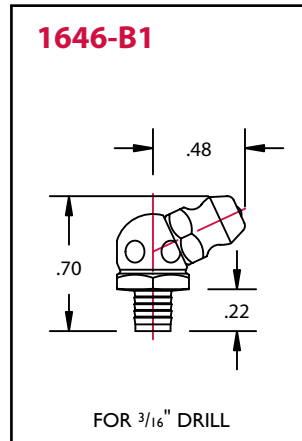
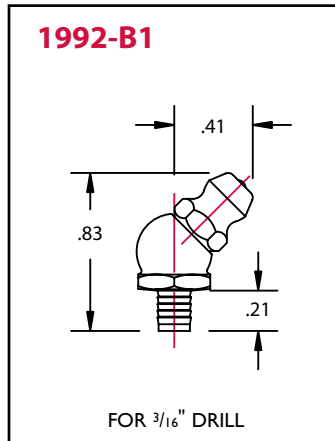
**5253**

Product #	Type of Drive Fitting	Use with Fitting
5253	Straight	1633, 1666, 1699, 1720-B, 1736-A, 1952-A, 3005, 3009, 3019, 369591, 369604, 369577
5253-1	Straight	1608-B, 1743-B, 3038-B
5253-3	Straight	1728-B

## DRIVE FITTINGS

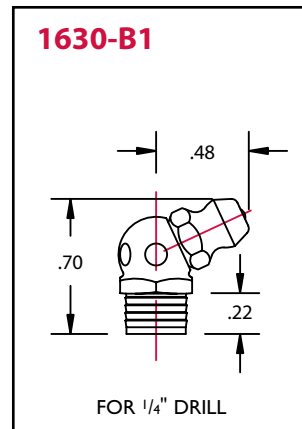
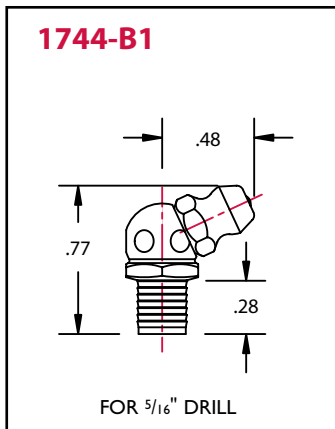
### Angled

Alemite Drive Fittings provide a simple, cost effective alternative to tapping for various applications.



Features:

- Exceeds 72 hour salt spray test
- Used for untapped holes
- Serrated shank provides secure, lasting grip
- Simplifies replacement of damaged fittings in old or oversized holes
- Trivalent zinc plating
- RoHS compliant



Product #	Configuration	Overall Length	Shank Length	Drill Diameter	Ball Check
1992-B1	45°	53/64"	7/32"	3/16"	Yes
1646-B1	65°	45/64"	7/32"	3/16"	Yes
1744-B1	65°	49/64"	9/32"	1/4"	Yes
1630-B1	65°	45/64"	7/32"	5/16"	Yes

### Drive Fitting Tools-Angled

This special tool simplifies the original installation of drive fittings in untapped holes.



**5254-1**

Product #	Type of Drive Fitting	Use with Fitting
5254-1	Angled	1630-B1, 1646-B1, 1744-B1, 1992-B1, 1722-B, 1723-B, 1724-B, 369580, 369545

## METRIC FITTINGS

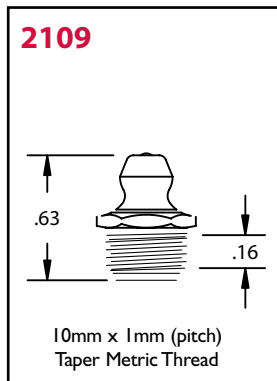
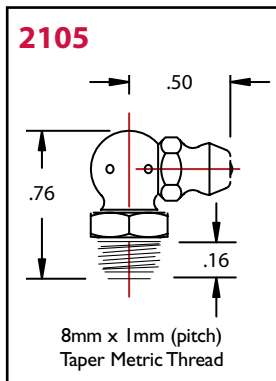
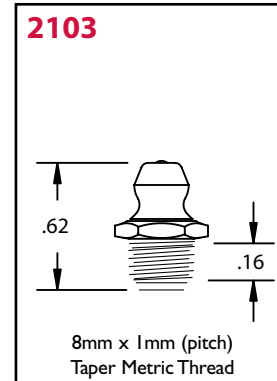
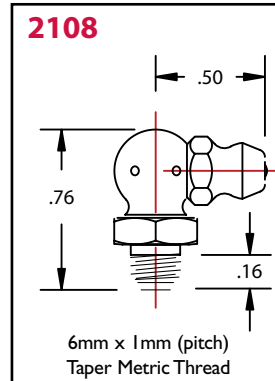
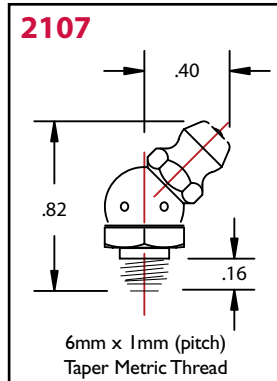
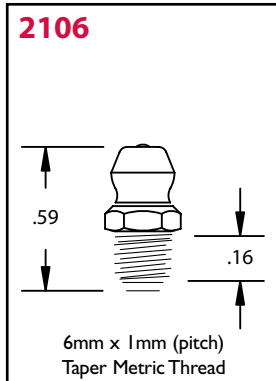
### Threaded Metric Fittings

Alemite metric thread conforms to German Standard DIN 71412.

Product #	Thread	Configuration	Hex Size	Overall Length	Shank Length
2106	6 mm x 1 mm	Straight	7 mm	19/32"	1/4"
2107	6 mm x 1 mm	45°	10 mm	13/16"	7/32"
2108	6 mm x 1 mm	90°	10 mm	3/4"	7/32"
2103	8 mm x 1 mm	Straight	9 mm	5/8"	1/4"
2105	8 mm x 1 mm	90°	10 mm	3/4"	7/32"
2109	10 mm x 1 mm	Straight	11 mm	5/8"	1/4"

Features:

- Exceeds 72 hour salt spray test
- Dirt excluding check ball
- Trivalent zinc plating
- RoHS compliant





## BUTTON HEAD FITTINGS

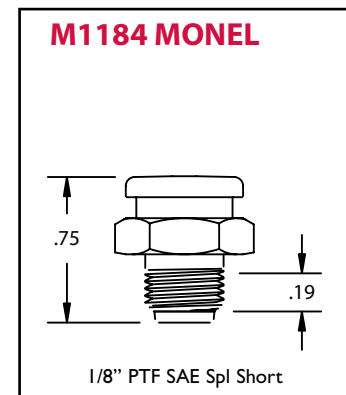
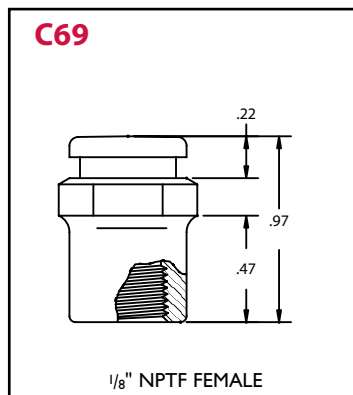
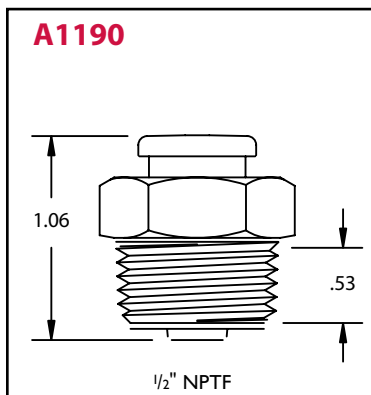
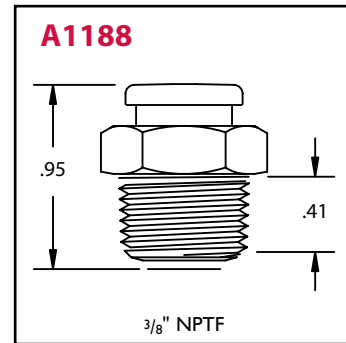
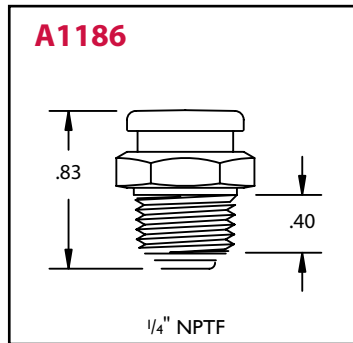
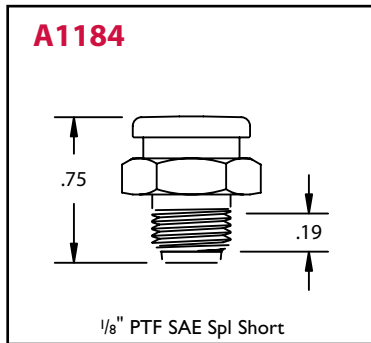
### Standard

Alemite Standard Button Head Fittings are used in rugged applications such as heavy machinery, construction equipment and off road equipment.

Product #	Thread	Hex Size	Overall Length	Shank Length
A1184	1/8" PTF	5/8"	3/4"	11/32"
A1186	1/4" NPTF	5/8"	53/64"	27/64"
A1188	3/8" NPTF	3/4"	61/64"	31/64"
A1190	1/2" NPTF	7/8"	1-1/16"	35/64"
C69	1/8" NPTF(f)	5/8"	31/32"	13/32"
M1184	1/8" PTF	5/8"	3/4"	11/32"

#### FEATURES:

- Exceeds 72 hour salt spray test
- Trivalent zinc plating
- RoHS compliant
- Head size helps minimize breakage
- Dirt excluding plunger check valve helps reduce dirt contamination



## BUTTON HEAD FITTINGS

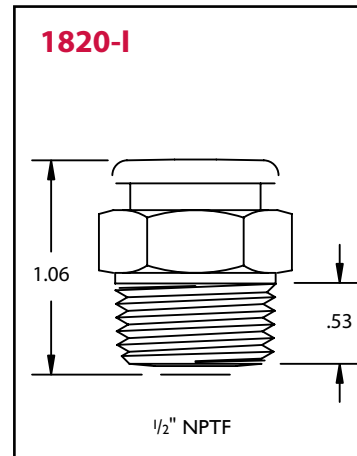
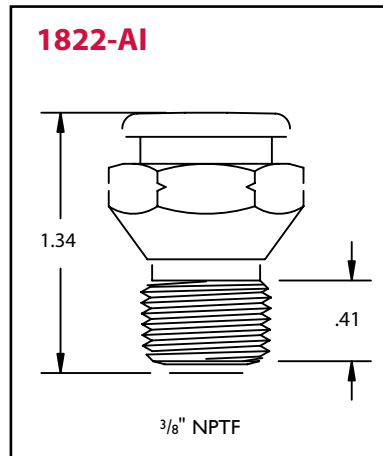
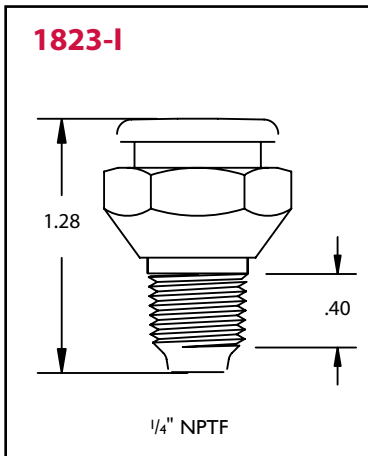
### Giant

Alemite Giant Button Head Fittings are the largest fitting available for rugged applications.

Product #	Thread	Hex Size	Overall Length	Shank Length
1823-1	1/4" NPTF	7/8"	1-1/4"	1/2"
1822-A1	3/8" NPTF	7/8"	1-5/16"	9/16"
1820-1	1/2" NPTF	7/8"	1-1/16"	1/2"

**FEATURES:**

- Exceeds 72 hour salt spray test
- Trivalent zinc plating
- RoHS compliant
- Head size helps minimize breakage
- Dirt excluding plunger check valve helps reduce dirt contamination



## RELIEF FITTINGS

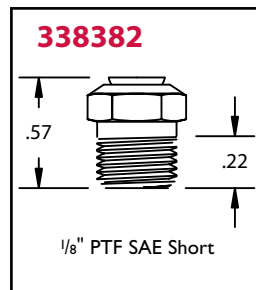
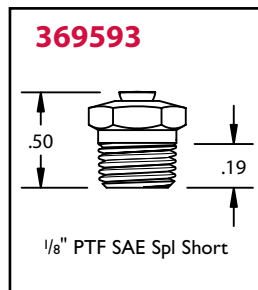
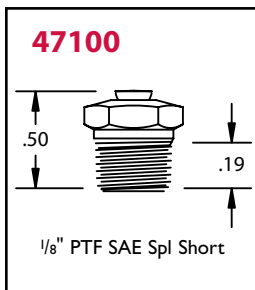
Alemite Relief Fittings are used on gearbox housings and bearings (king pins, universal joints, etc.) where excessive lubrication pressure is not desired.

Features:

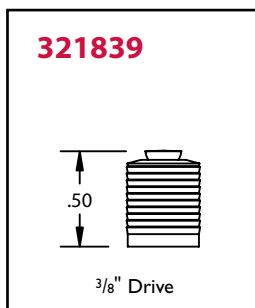
- Exceeds 72 hour salt spray test
- Trivalent zinc plating
- RoHS compliant
- Fittings open at predetermined pressure (see table)
- May be used with grease or oil
- 338382 is a leak proof fitting
- Recommended accessories
  - 1/8" – 1/4" Bushing (45120)

## Threaded

Product #	Thread	Relief Pressure Min	Relief Pressure Max
317400	1/8" PTF SAE SPL Short	.25 psi	1 psi
47200	1/8" PTF SAE SPL Short	1 psi	5 psi
47640	1/8" PTF SAE SPL Short	7.5 psi	15 psi
323060	1/8" PTF SAE SPL Short	15 psi	25 psi
47100	1/8" PTF SAE SPL Short	45 psi	80 psi
50500	1/8" PTF SAE SPL Short	400 psi	650 psi
369593	1/8" PTF SAE SPL Short	100 psi	200 psi
338382	1/8" PTF SAE SPL Short	80 psi	140 psi



## Drive



Product #	Drive Fitting	Relief Pressure Min	Relief Pressure Max
321839	3/8" Diameter Drill	1 psi	5 psi

## FLUSH TYPE FITTINGS

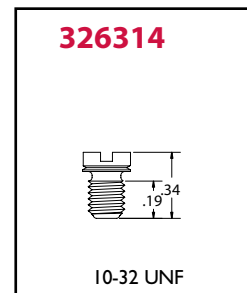
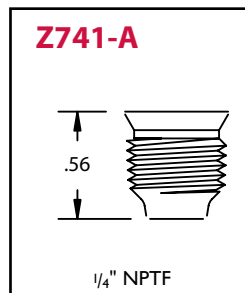
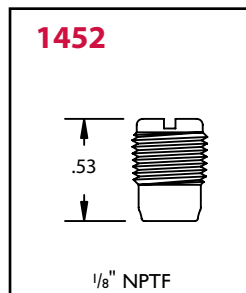
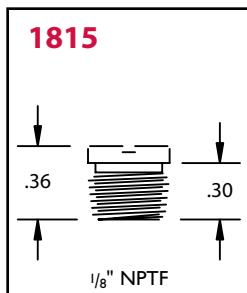
Alemite Flush Type Fittings are used where protruding fittings are not desirable, such as for line shafting pulleys or revolving bearings.

Features:

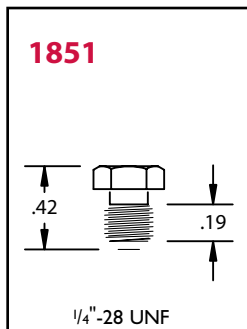
- Exceeds 72 hour salt spray test
- Dirt excluding check ball
- Trivalent zinc plating
- RoHS compliant
- Flush mounting reduces potential for damage

## Threaded - Slotted

Product #	Thread	Type	Overall Length	Shank Length	Drill Diameter
1815	Overall Length	Slotted	Shank Length	Hex Size	Thread
1452	Overall Length	Slotted	Shank Length	Hex Size	Thread
Z741-A	Overall Length	Slotted	Shank Length	Hex Size	Thread
326314	10-32 UNF	Slotted	3/8"	15/64"	NA



## Threaded - Hex

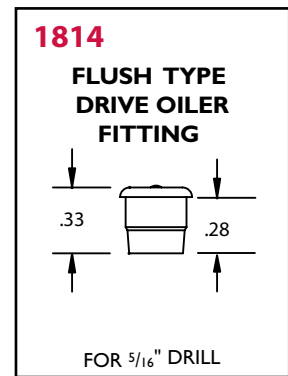
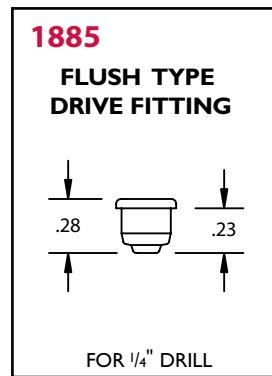
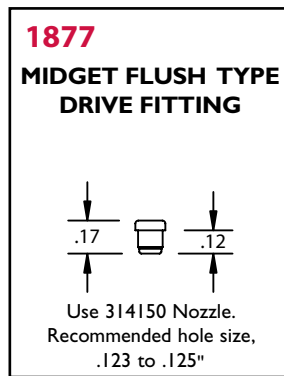
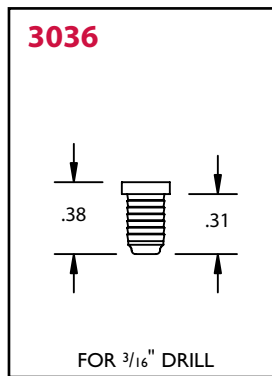


Product #	Thread	Type	Overall Length	Shank Length	Drill Diameter
1851	1/4\"-28 NF	Hex	13/32"	19/64"	NA

**FLUSH TYPE FITTINGS**

**Drive**

Product #	Thread	Type	Overall Length	Shank Length	Drill Diameter
3036	Drive	Straight	3/8"	5/16"	3/16"
1877	Drive	Straight	11/64"	1/8"	.123" - .125"
1885	Drive	Straight	9/32"	15/64"	1/4"
1814	Drive	Straight	21/64"	9/32"	5/16"



## LEAKPROOF FITTINGS

Alemite Leakproof Fittings have a Buna-N seal instead of a ball check, to provide a leakproof seal. To improve reliability of the check valve, keep input passages free of foreign particles.

Features:

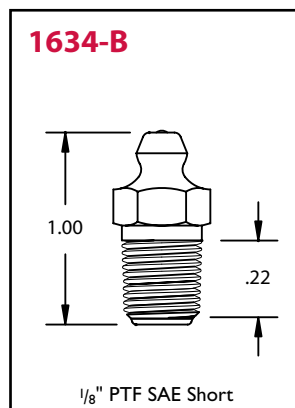
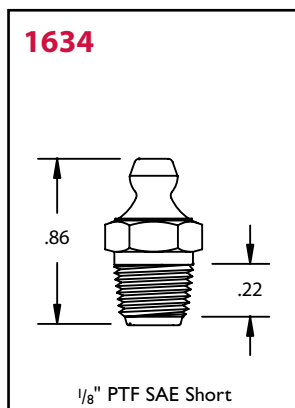
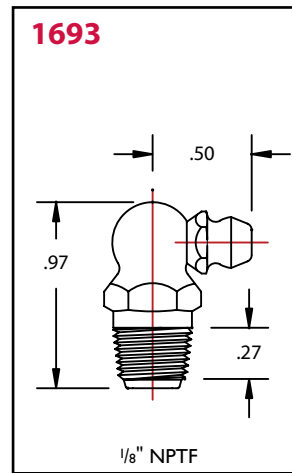
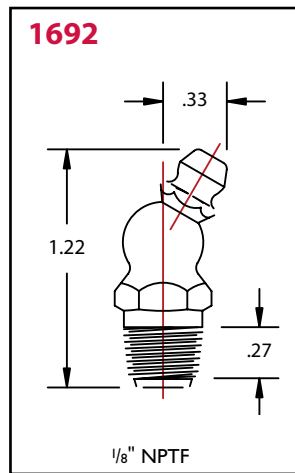
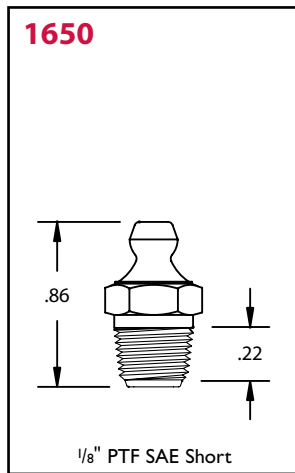
- Buna-N seal
- Use with light oils and other fluids up to 3,000 psi
- 1634 has steel ball check and brass insert seats for use with grease, heavy and medium oils up to 10,000 psi
- 1634-B has steel ball check and brass insert seats for use with grease, heavy and medium oils up to 10,000 psi, and includes a dirt excluding surface ball check

RECOMMENDED ACCESSORY:

- Dust Caps

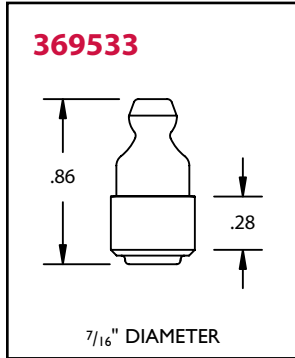
## Threaded

Product #	Thread	Configuration	Hex Size	Overall Length	Shank Length
1650	1/8" PTF SAE Short	Straight	7/16"	29/32"	25/64"
1692	1/8" NPTF	30°	7/16"	1-7/32"	25/64"
1693	1/8" NPTF	90°	7/16"	31/32"	25/64"
1634	1/8" PTF SAE Short	Straight	7/16"	27/32"	23/64"
1634-B	1/8" PTF SAE Short	Straight	7/16"	1"	33/64"



## LEAKPROOF FITTINGS

### Drive



Product #	Thread	Configuration	Hex Size	Overall Length	Shank Length
369533	7/16" Round	Straight	7/16" Round	55/64"	NA

## VENTS

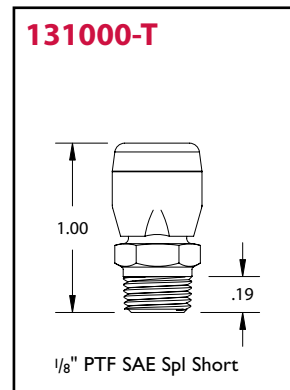
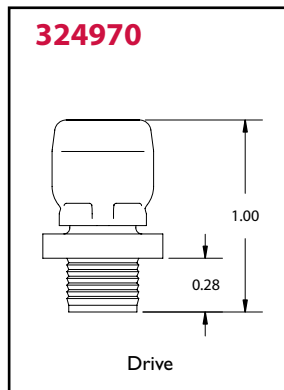
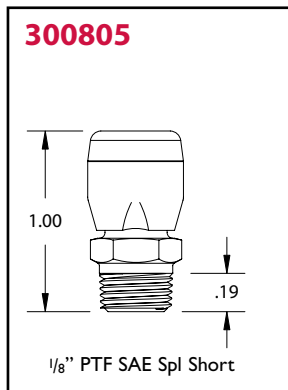
### Vents

Alemite Vents are used with transmissions, speed reducers, axles, gear housings and similar applications. The vent is placed above normal lubrication level to allow air to escape when internal pressure rises.

Product #	Thread	Opening Pressure
300805	1/8" PTF SAE Short	Felt filter
304810	1/8" PTF SAE Short	1-3" water
324970	Drive	6-12" water
131000-T	1/8" PTF SAE Short	12" water max
327240	1/8" PTF SAE Short	1 to 1-1/2 psi
330766	1/8" PTF SAE Short	2-1/2 to 4 psi

#### FEATURES:

- Exceeds 72 hour salt spray test
- Trivalent zinc plating
- Vent opens at designated pressure (see table)
- Helps to prevent fluid leakage
- Special cap prevents water or dirt from entering





## BREATHERS

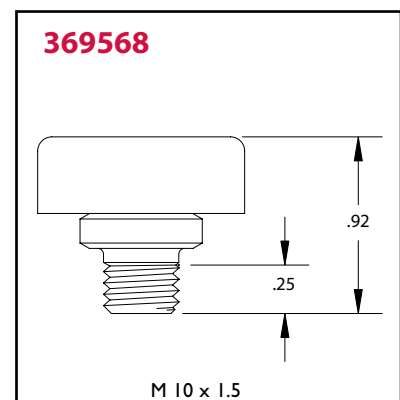
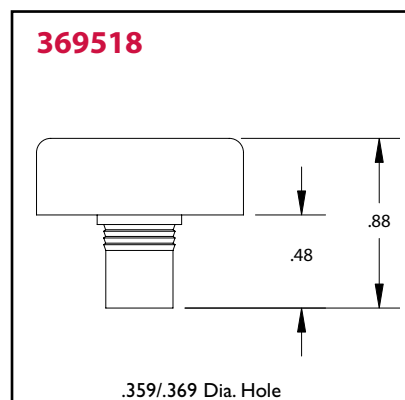
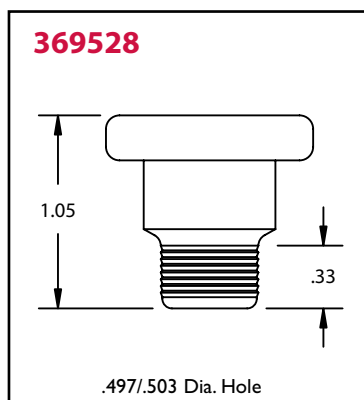
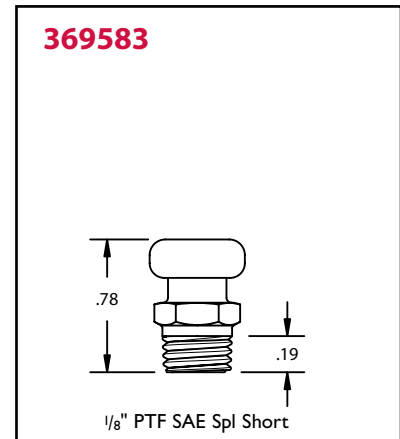
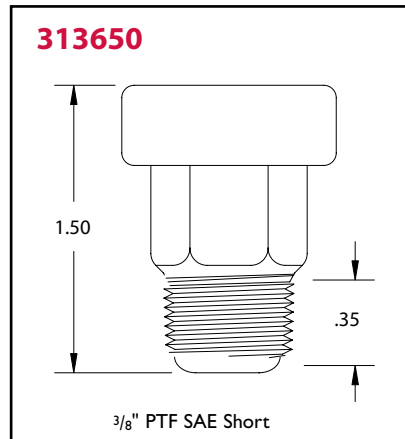
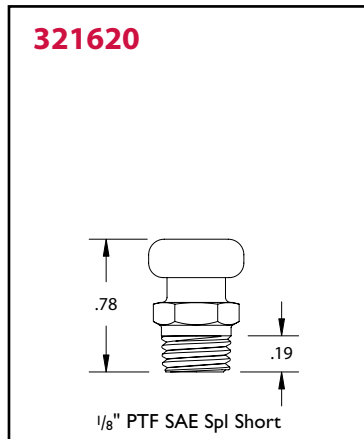
### Breathers

Alemite Breathers are used with transmissions, differentials, speed reducers, axles, gear housings and similar applications. The breather helps maintain proper pressure.

Product #	Description	Thread
313650	Two Baffles	3/8" PTF SAE Short
369583*	Corrosion Resistant	1/8" PTF SAE Short
369528	Press Fit	Goes into .497/.5032 DIA hole
321620	Zinc Trivalent	1/8" PTF SAE SPL Short
369518	NA	Drive
369568	Metric	M 10 x 1.5

#### FEATURES:

- Exceeds 72 hour salt spray test
  - Trivalent zinc plating
  - No airflow restrictions
  - Breathers with felt filters help reduce dirt contamination
- \* 240 hour salt spray test



## SPECIALTY FITTINGS

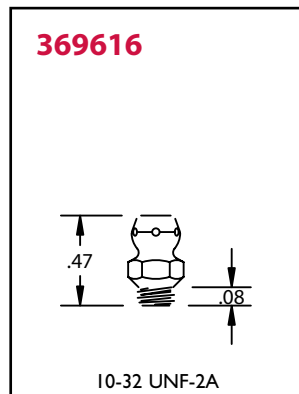
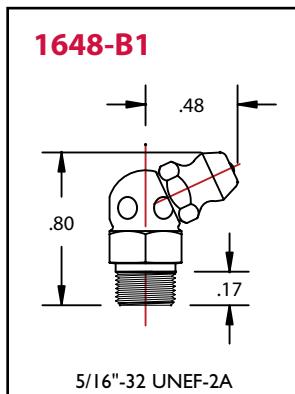
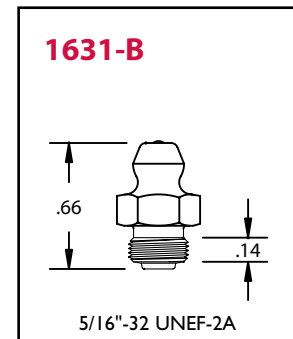
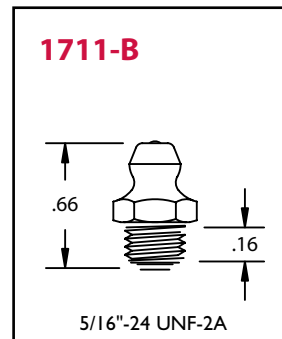
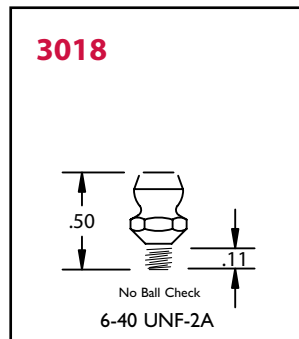
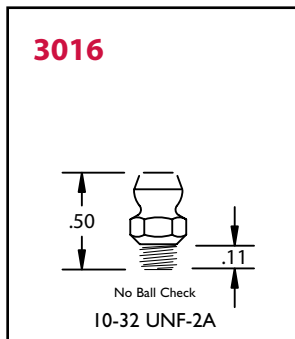
### Special Thread Fittings

Alemite offers special threads and sizes for special lubrication applications. All have high pressure ball check unless noted.

Product #	Thread	Configuration	Hex Size	Overall Length	Shank Length
3016	10-32 UNF-2A	Straight	1/4"	1/2"	1/8"
3018	6-40 UNF-2A	Straight	1/4"	1/2"	9/64"
1711-B	5/16"-24 UNF-2A	Straight	3/8"	21/32"	5/32"
1631-B	5/16"-24 UNEF-2A	Straight	3/8"	21/32"	15/64"
1648-B1	5/16"-24 UNEF-2A	65°	3/8"	51/64"	7/32"
369616	10-32 UNF-2A	Straight	1/4"	15/32"	5/64"

#### FEATURES:

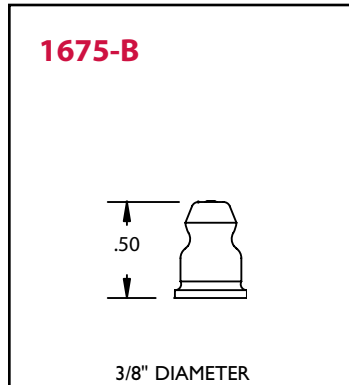
- Exceeds 72 hour salt spray test
- Dirt excluding check ball
- Trivalent zinc plating
- RoHS compliant
- 3016, 3018 and 369616 have no ball check



## SPECIALTY FITTINGS

### Rivet Fittings

Alemite Rivet Fittings are used where threaded or drive fittings are difficult to use. They are commonly used for king pin applications.



**FEATURES:**

- Exceeds 72 hour salt spray test
- Dirt excluding check ball
- Trivalent zinc plating
- RoHS compliant

Product #	Configuration	Overall Length	Fitting Diameter	Rivet Diameter
1675-B	Straight	1/2"	3/8"	5/16"

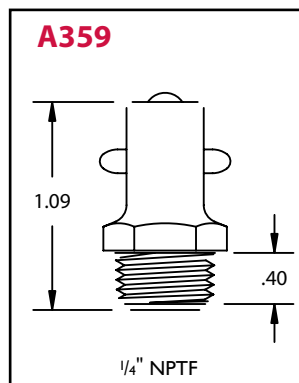
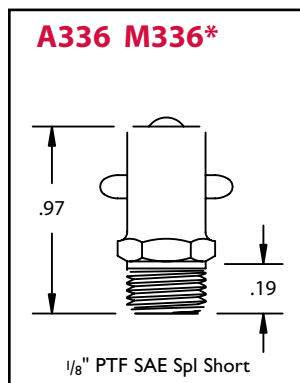
### Pin Type Fittings

Alemite Pin Type Fittings have positive locking action on coupler and cross pin, providing a leakproof connection.

Product #	Thread	Configuration	Hex Size	Overall Length	Shank Length
A336	1/8" PTF	Straight	7/16"	31/32"	17/64"
A359	1/4" NPTF	Straight	17/32"	1-3/32"	5/16"
M336	1/8" PTF	Straight	7/16"	31/32"	17/64"

**FEATURES:**

- Exceeds 72 hour salt spray test
- Dirt excluding check ball
- Trivalent zinc plating
- RoHS compliant
- Recommended accessories
- Pin Type Couplers (VB942, 50491, 51185)



\*Brass Body and Ball, Monel Pin

**SPECIALTY FITTINGS**

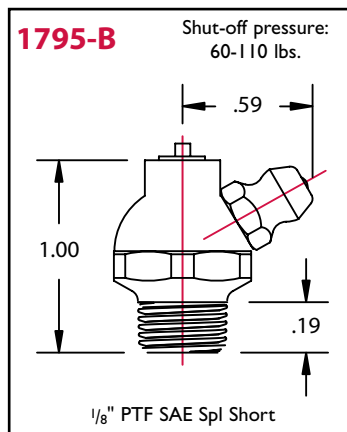
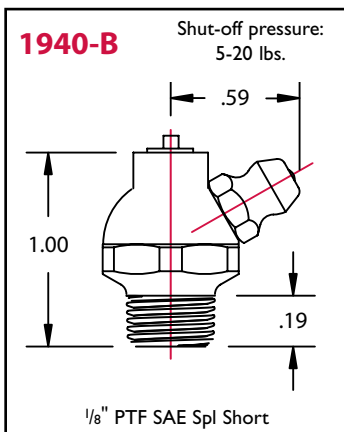
**Hydraulic Shut Off Fittings**

Alemite Hydraulic Shut Off Fittings positively shut off at specified pressure, preventing over-lubrication and damaging of bearing seals.

**FEATURES:**

- Exceeds 72 hours salt spray test
- Dirt excluding check ball
- Trivalent zinc plating
- RoHs compliant

Product #	Configuration	Hex Size	Overall Length	Shank Length	Shutt-off Pressure
1940-B	60°	5/8"	1"	17/64"	5-20 lb
1795-B	60°	5/8"	1"	17/64"	60-110 lb



## FITTING ASSORTMENTS

### Blister Packs

Alemite Fitting Blister Packs are packaged for display or easy storage. Each pack contains 10 fittings unless otherwise noted.

Product #	Configuration	Hex Size	Overall Length	Shank Length	Quantity
B1610-BL	Straight	7/16"	11/16"	19/64"	10
B1611-B	30°	7/16"	29/32"	19/64"	10
B1613-B	90°	7/16"	27/32"	19/64"	10
B1627-B	Straight	9/16"	7/8"	27/64"	5
B1629-B	67.5°	9/16"	31/32"	11/32"	5
B1637-B1	45°	3/8"	13/16"	13/64"	10
B1641-B	Straight	5/16"	35/64"	3/16"	10
B1688-B	45°	7/16"	57/64"	19/64"	10
B1911-B1	90°	3/8"	3/4"	13/64"	10
B2103	Straight	9 mm	5/8"	1/4"	10
B2105	90°	10 mm	3/4"	7/32"	10
B2106	Straight	7 mm	19/32"	1/4"	10
B2108	90°	10 mm	3/4"	7/32"	10
B2109	Straight	11 mm	5/8"	1/4"	10

### Multiple Size Assortments -Standard

Alemite Standard Fitting Assortments include a selection of popular standard sized fittings.

FEATURES:

- All Purpose Fitting Assortment (2364-1) includes 2 tools for extracting fittings and rethreading holes
  - B315790 – 1/4"-28 Fitting Tool
  - B315791 – 1/8" PTF Fitting Tool

Product #	Description	1610-BL	1688-B	1613-B	1641-B	1637-B1	1911-B1	1611-B	1612-B
2398-1	Vehicle Fitting Assortment	24	12	12	24	12	12	NA	NA
2364-1	All Purpose Fitting Assortment	36	12	12	24	12	12	12	12
2365-1	Pocket Pack Fitting Assortment	12	6	6	12	6	6	NA	NA



**2364-1**



**2398-1**



**2365-1**

**FITTING ASSORTMENTS**

**Multiple Size Assortments - Metric**

Alemite Metric Fitting Assortments include a selection of metric fittings.



**2371**

Product #	Description	2106	2107	2108	2103	2105	2109
2371	Metric Fitting Assortment	10	6	6	6	6	10

## FITTING ACCESSORIES

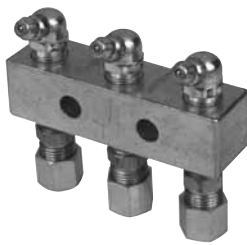
### Header Blocks

Alemite Header Blocks allow hard to reach lubrication points to be connected to fittings by tubing or whip hose.

Product #	Size	Length	Block Only	Inlet/Outlet Threads	Fittings
6135	3-point	2-3/4"	42702	1/8" NPTF(f)	1612-B
6136	6-point	5-3/4"	42703	1/8" NPTF(f)	1612-B
328303-42	1/4" tube fitting	NA	NA	1/8" NPTF(f)	NA

#### FEATURES:

- Available with or without fittings
- Configured to serve 3 or 6 lubrication points
- Includes compression fittings for 1/4" tubing



**6135**



**6136**

### Fitting Extensions

Alemite Fitting Extensions are used to extend fittings away from a bearing housing.



**43762**

Product #	Thread	Hex Size	Effective Thread Length	Overall Length	Shank Length
43761	1/8" NPTF(f) x 1/8" NPTF(m)	1/2"	3/16"	3/4"	9/32"
43762	1/8" NPTF(f) x 1/8" NPTF(m)	1/2"	17/64"	17/64"	11/16"
336551	1/4"-28 Taper Thread (SAE-LT)(m) x 1/4"-28 UNF-3B(f)	NA	13/64"	13/64"	1"

## FITTING ACCESSORIES

### Straight Adapters

Alemite Adapters are used to adapt a threaded fitting to a different size opening thread.

Product #	Thread	Thread (M / F)	Configuration
327033	1/4" NPTF(m)	1/4" NPTF(m)	Straight
130552	1/4" NPTF(m)	1/2" NPTF(m)	Straight
43379	1/4" NPTF(m)	1/2"-27 Taper(m)	Straight
41729	3/8" NPTF(m)	3/8" NPTF(m)	Straight
47703	7/16"-27 UNS-2A (m)	1/2"-27 NS Taper(m)	Straight
44734	3/8" NPTF(m)	1/2"-27 Taper(m)	Straight
50610	3/8" NPTF(m)	1/2" NPTF(m)	Straight
51888	1/2" NPTF(m)	1/2" NPTF(m)	Straight
307925	1/2" NPTF(m)	1/2"-27 NS Taper(m)	Straight
42159	1/2"-27 NS Taper(m)	1/2"-27 NS Taper(m)	Straight
336842	3/4" NPTF(m)	3/4" NPTF(m)	Straight
336843	1" NPTF(m)	1" NPTF(m)	Straight
43760	1/8" NPTF(m)	1/4" NPTF(f)	Straight
301198	1/4" NPTF(m)	3/8" NPTF(f)	Straight
52797	3/8" NPTF(m)	1/2" NPTF(f)	Straight
305859	7/16"-27 UNS-2A (m)	1/8" NPTF(f)	Straight
51942	1/4"-28 Taper Thread (SAE-LT)(m)	1/8" NPTF(f)	Straight
1000-44	1/4" NPTF(m)	1/4" NPSM(f)	Straight, Swivel
1000-46	1/4" NPTF(m)	3/8" NPSM(f)	Straight, Swivel
1000-64	3/8" NPTF(m)	1/4" NPSM(f)	Straight, Swivel
1000-66	3/8" NPTF(m)	3/8" NPSM(f)	Straight, Swivel
1000-88	1/2" NPTF(m)	1/2" NPSM(f)	Straight, Swivel
1000-812	1/2" NPTF(m)	3/4" NPSM(f)	Straight, Swivel
1000-1212	3/4" NPTF(m)	3/4" NPSM(f)	Straight, Swivel
1000-1612	1" NPTF(m)	3/4" NPSM(f)	Straight, Swivel
1000-1616	1" NPTF(m)	1/2" NPSM(f)	Straight, Swivel
1012-88	1/2" NPTF(f)	1/2" NPSM(f)	Straight, Swivel



**305859**



**43760**



## FITTING ACCESSORIES

### 90° Adapters

Alemite Adapters are used to adapt a threaded fitting to a different size opening thread.



**1001-88**

Product #	Thread	Configuration	Thread (female)
51943	1/4"-28 Taper Thread (SAE-LT)(m)	90°, Swivel	1/8" NPTF(f)
1001-44	1/4" NPTF(m)	90°, Swivel	1/4" NPSM(f)
1001-66	1/2" NPTF(m)	90°, Swivel	1/2" NPSM(f)
1001-86	1/2" NPTF(m)	90°, Swivel	3/8" NPSM(f)
1001-88	3/8" NPTF(m)	90°, Swivel	3/8" NPSM(f)

### 45° Adapters

Alemite Adapters are used to adapt a threaded fitting to a different size opening thread.

Product #	Thread	Configuration	Thread (female)
310912	1/4"-28 Taper Thread (SAE-LT)(m)	45°	1/8" NPTF(f)

### Plastic Caps

Plastic Caps protect fittings from corrosion and debris, and are available in red or white color.

Product #	Color	Quantity per Box
339630-RD	Red	100
339630-WH	White	100

### Plugs

Alemite Plugs close openings where a fitting is no longer required.

Product #	Description
1480	1/8" NPTF Square Head
17831	1/8" NPTF Hex Socket
170008	1/4" NPTF Hex Socket
328224	1/4"-28 Taper Thd (SAE-LT) Hex Head
328435	1/4"-28 Taper Thd (SAE-LT) Thread Forming Hex Head

## FITTING ACCESSORIES

### Bushings

Alemite Bushings are zinc plated to resist corrosion.

Product #	Thread (male)	Thread (female)
45120	1/4" NPTF	1/8" NPTF
A112	3/8" NPTF	1/8" NPSI
40996	3/8" NPTF	1/4" NPTF
A113	1/2" NPTF	1/8" NPSI
51891	1/2" NPTF	1/4" NPTF
131586	1/2" NPTF	3/8" NPTF
51642	3/4" 11-1/2" NH	1/4" NPTF
320353	1" NPTF	3/4" NPTF
320354	1" NPTF	1/2" NPTF
320356	3/4" NPTF	3/8" NPTF
328207	1-1/2" NPTF	1" NPTF
338552	2" NPT	3/4" NPT

### Couplers - Hydraulic

Alemite Hydraulic Couplers provide quick, positive and leakproof connection with hydraulic fittings.

Product #	Thread	Type	Length	Pressure	Other Features
6304-B	1/8" NPTF(f)	Standard	NA	10,000 psi	Metal Seal
6304-C	1/8" NPTF(f)	Standard	NA	10,000 psi	Metal Seal; built-in check valve
308730	1/8" NPTF(f)	Narrow	NA	10,000 psi	Rubber Seal
308730-A	1/8" NPTF(f)	Narrow	NA	10,000 psi	Rubber Seal; built-in check valve
B330070	1/8" NPTF(f)	Narrow	NA	10,000 psi	Metal Seal; blister packed
B154	1/8" NPTF(f)	Narrow	NA	10,000 psi	Rubber Seal
322120	1/8" NPTF(f)	Narrow	NA	10,000 psi	Rubber Seal; 90°
6509-D	1/8" NPTF(f)	Standard 360° Swivel	3-1/2"	10,000 psi	Metal Seal
6509-E	1/8" NPTF(f)	Narrow Diameter 360° Swivel	4"	10,000 psi	Rubber Seal

**FITTING ACCESSORIES**

**Couplers - Button Head**

Product #	Thread	Type	Length	Pressure	Other Features
42030	7/16"-27 NS-2(f)	Standard Pull-On	NA	10,000 psi	NA
42030-A	1/8" NPTF(f)	Standard Pull-On	NA	10,000 psi	NA
42031-A	1/8" NPTF(f)	Standard Push-On	NA	10,000 psi	NA
304300	7/16"-27 NS-2(f)	Giant Pull-On	NA	15,000 psi	NA
304300-A	1/8" NPTF(f)	Giant Pull-On	NA	15,000 psi	NA
319702	1/4" PTF SAE Short(f)	Giant Pull-On	NA	15,000 psi	NA
304301	7/16"-27 NS-2(f)	Giant Push-On	NA	15,000 psi	NA



**42030**

**Couplers - Pin Type**

Product #	Thread	Type	Pressure
VB942	1/8" NPTF(f) without wing	Pin	10,000 psi
50491	1/8" NPTF(m) with wing	Pin	10,000 psi
51185	1/8" NPTF(f) with wing	Pin	10,000 psi



**50491**

**Couplers - Flush Type Nozzle**

Product #	Thread	Type	Pressure
314150	1/8" NPTF(f)	Midget	10,000 psi
Z737	1/8" NPTF(f)	Standard	10,000 psi

## FITTING ACCESSORIES

### Fitting Tools

Zerk-Mate fitting cleaning tools are a quick, effective way to unplug clogged grease fittings. Light viscosity oil is injected into the plugged joint, loosening grease and allowing new grease to enter, saving the time of replacing fittings and joints. Available in standard and pocket sized models. Easy out fitting tools are used to extract broken fittings, rethread holes, and install new fittings.


**339841**

**340004**

Product #	Description	Weight	Thread
339841	Heavy-Duty Zerk-Mate to unclog fittings	1.5 lb	NA
340004	Heavy-Duty Zerk-Mate to unclog fittings	8 oz	NA
B315790	Easy-out fitting tool to remove and install fittings	0.2 Lb.	1/4"-28 Taper Thread
B315791	Easy-out fitting tool to remove and install fittings	0.2 Lb.	1/8" NPTF

### Elbow Bodies

Alemite Elbow Bodies change the angle of a fitting to be attached to a bearing.

Product #	Thread	Angle	Overall Length	Shank Length	Thread Length
43706	1/8" NPTF(f) x 1/8" PTF SAE Short(m)	90°	1-1/8"	17/32"	17/64"
43716	1/8" NPTF(f) x 1/8" PTF SAE Short(m)	45°	1"	7/16"	7/32"
44701	1/8" NPTF(f) x 1/8" PTF SAE Short(m)	90°	1"	7/16"	7/32"
43718	1/8" NPTF(f) x 1/8" PTF SAE Short(m)	90°	1-3/16"	5/8"	13/32"
43748	1/4" NPTF(f) x 1/4" PTF(m)	90°	1-11/32"	19/32"	13/32"
369586	1/4"-28 Taper Thread SAE-LT(f) x 1/4"-28 UNF-2B(m)	65°	45/64"	1/5"	19/64"
369594	1/4"-28 Taper Thread SAE-LT(f) x 1/4"-28(m)	45°	45/64"	1/5"	19/64"
306722	1/8" NPTF(m) x 1/4" NPTF(f)	Straight	1-3/16"	1/4" end -37/64" 1/8" end -25/64"	1/4" end -13/32" 1/8" end -17/64"



SECTION SIX  
**AEROSPACE FITTINGS**



- ▶ Carbon Steel – Zinc Plated
- ▶ Carbon Steel – Nickel Zinc Plated
- ▶ Monel
- ▶ Stainless Steel

Aerospace and military applications require absolute reliability, durability and performance. Alemite AS Fittings meet the very stringent requirements of SAE AS 3541 I standards, including complete documentation and traceability certified from raw materials through production.

Alemite Aerospace (AS) Fittings are designed specifically to meet requirements for performance and consistency which are imperative in aircraft and other critical use applications. Alemite AS Fittings meet the stringent requirements of SAE AS 3541 I, which include performance tests, extensive documentation and complete traceability of materials. The AS 3541 I specification supersedes previous Military Specification MIL-F-3541. Look for the Alemite “AS Fitting Notch” to ensure you are re

**STEEL**  
**Zinc Finish**



AS Part #	Alemite Part #	Supersedes MS #	NSN #	Material	Finish	Configuration	Thread	Boeing Part #	NAS Part#
AS15001-1P	1641-AS	MS-15001-1	4730000504203	Steel	Zinc	Straight	1/4"-28 Taper (SAE-LT)	NA	NA
AS15001-2P	1680-AS	MS-15001-2	4730001720001	Steel	Zinc	Straight, .97" long	1/4"-28 Taper (SAE-LT)	NA	NA
AS15001-3P	1637-AS	MS-15001-3	4730000504205	Steel	Zinc	45°	1/4"-28 Taper (SAE-LT)	NA	NA
AS15001-4P	1911-AS	MS-15001-4	4730000504207	Steel	Zinc	90°	1/4"-28 Taper (SAE-LT)	NA	NA
AS15002-1P	1792-AS	MS-15002-1	4730001720010	Steel	Zinc	Straight	1/4"-28 Taper UNF-2A	NA	NA



# SECTION SIX AEROSPACE FITTINGS

## STEEL

### Zinc Finish

AS Part #	Alemite Part #	Supersedes MS #	NSN #	Material	Finish	Configuration	Thread	Boeing Part #	NAS Part#
AS15002-3P	1770-AS	MS-15002-3	4730001720015	Steel	Zinc	45°	1/4"-28 Taper UNF-2A	NA	NA
AS15003-1P	1610-AS	MS-15003-1	4730000504208	Steel	Zinc	Straight, .69" long	1/8"-PTF-SAE Special Short	NA	NA
AS15003-2P	1607-AS	MS-15003-2	4730001720022	Steel	Zinc	Straight, 1.25" long	1/8"-PTF-SAE Special Short	NA	NA
AS15003-3P	1611-AS	MS-15003-3	4730001720025	Steel	Zinc	30°	1/8"-PTF-SAE Special Short	NA	NA
AS15003-4P	1688-AS	MS-15003-4	4730001720028	Steel	Zinc	45°	1/8"-PTF-SAE Special Short	NA	NA
AS15003-5P	1612-AS	MS-15003-5	4730001720031	Steel	Zinc	65°	1/8"-PTF-SAE Special Short	NA	NA
AS15003-6P	1613-AS	MS-15003-6	4730001720034	Steel	Zinc	90°	1/8"-PTF-SAE Special Short	NA	NA
AS15006-1P	1650-AS	MS-15006-1	4730001730049	Steel	Zinc	Straight Leak Proof	1/8"-PTF-SAE Short	NA	NA
AS15006-2P	1692-AS	MS-15006-2	4730001730052	Steel	Zinc	30° Leak Proof	1/8"-NPTF	NA	NA
AS15006-4P	1693-AS	MS-15006-4	4730001730058	Steel	Zinc	90° Leak Proof	1/8"-NPTF	NA	NA

## STEEL

### Zinc Nickel Finish

AS Part #	Alemite Part #	Supersedes MS #	NSN #	Material	Finish	Configuration	Thread	Boeing Part #	NAS Part#
AS15001-1U	1641-ASI	NA_test	NA	Steel	Zinc Nickel	Straight	1/4"-28 Taper (SAE-LT)	BACF19F-1LZ	NA
NA	1984-ASI	NA	NA	Steel	Zinc Nickel	Straight	1/4"-28 Taper (SAE-LT)	BACF19F-1Z	NA
AS15001-2U	1680-ASI	NA	NA	Steel	Zinc Nickel	Straight, .97" long	1/4"-28 Taper (SAE-LT)	BACF19F-2LZ/2Z	NA
AS15001-3U	1637-ASI	NA	NA	Steel	Zinc Nickel	45°	1/4"-SAE-LT Taper	BACF19F-3LZ/3Z	NA
AS15001-4U	1911-ASI	NA	NA	Steel	Zinc Nickel	90°	28 Taper (SAE-LT)	BACF19F-4LZ BACF19F-4Z	NA



**MONEL**

**Bright Dipped**

AS Part #	Alemite Part #	Supersedes MS #	NSN #	Material	Finish	Configuration	Thread	Boeing Part #	NAS Part#
AS15004-1	1966-AS3	MS-15004-1	4730001720040	Monel	Bright Dip	Straight	1/4"-28 Taper (SAE-LT)	BACF19G-1L	NA
AS15004-2	1968-AS3	MS-15004-2	4730001720041	Monel	Bright Dip	45°	1/4"-28 Taper (SAE-LT)	BACF19G-2L & BACF19G-2	NA
AS15004-3	1969-AS3	MS-15004-3	4730001720042	Monel	Bright Dip	90°	1/4"-28 Taper (SAE-LT)	BACF19G-3L & BACF19G-3	NA
AS15005-1	1961-AS3	MS-15005-1	4730001720043	Monel	Bright Dip	Straight	1/8"-PTF-SAE Special Extra Short	NA	NA
AS15005-3	1921-AS3	MS-15005-3	4730001720045	Monel	Bright Dip	30°	1/8"-PTF-SAE Special Short	NA	NA
AS15005-4	1922-AS3	MS-15005-4	4730001720046	Monel	Bright Dip	65°	1/8"-PTF-SAE Special Short	NA	NA
AS15005-5	1923-AS3	MS-15005-5	4730001720047	Monel	Bright Dip	90°	1/8"-PTF-SAE Special Short	NA	NA
	1877-AS3	NA	NA	Monel	Bright Dip	Flush Type	1/8" Drive	NA	NAS516M1

**STAINLESS STEEL**

**Passivated Finish**

AS Part #	Alemite Part #	Supersedes MS #	NSN #	Material	Finish	Configuration	Thread	Boeing Part #	NAS Part#
AS15720-1	1966-AS2	MS-15720-1	NA	303 SS	Passivated	Straight	1/4"-28 Taper (SAE-LT)	NA	NA
AS15720-2	1968-AS2	MS-15720-2	NA	304 SS	Passivated	45°	1/4"-28 Taper (SAE-LT)	NA	NA
AS15720-3	1969-AS2	MS-15720-3	NA	305 SS	Passivated	90°	1/4"-28 Taper (SAE-LT)	NA	NA
AS15721-1	1961-AS2	MS-15721-1	4730009725789	306 SS	Passivated	Straight	1/8"-PTF-SAE Special Extra Short	NA	NA
AS15721-3	1921-AS2	MS-15721-3	NA	307 SS	Passivated	30°	1/8"-PTF-SAE Special Short	NA	NA
AS15721-4	1922-AS2	MS-15721-4	NA	308 SS	Passivated	65°	1/8"-PTF-SAE Special Short	NA	NA
AS15721-5	1923-AS2	MS-15721-5	4730002013243	309 SS	Passivated	90°	1/8"-PTF-SAE Special Short	NA	NA





# FLUID MANAGEMENT SYSTEMS



- ▶ Alemite FCS
- ▶ Accu-Guard® PC

Alemite Fluid Management Systems provide flexible, cost effective options for small to large installations. The new Alemite FCS is easy to install and operate for smaller operations, while the Accu-Guard® PC is designed for larger facilities. Each system offers the capability to improve your dispensing and inventory management.

# FLUID MANAGEMENT SYSTEMS

Alemite Fluid Management Systems provide simple and cost effective fluid use management and reporting. Simple user keypad interface controls solenoid valves, which allow dispensing of fluids. Meters mounted in line with each hose reel provide data to PLC or PC for report generation.

## ALEMITE FCS

Alemite FCS is Alemite's newest Fluid Management System. Alemite FCS is designed for use in automotive service, lube truck, and other applications requiring accurate monitoring and reporting of fluid use.

### FEATURES:

- Easy installation
- Plug and play wiring
- Single unit contains controls and power supply
- Unit never needs opening to install
- Easy meter calibration
- PLC accommodates 6 fluids/12 reels, with up to 6 simultaneous operations
- PIN code security and touch key options
- 2 levels of security if desired – operator and manager
- Displays low tank level warnings. Warning and stop levels are customizable.
- Free flow or preset metering options
- Dispenses and totalizes in pints, quarts, gallons or liters. Each dispensing point can be programmed independently.
- Large display for easy visibility
- Stand alone system – no PC required
- 1,000 transaction storage capacity – searchable by date, user or oil type
- Can be used with or without printer
- Integrated printer option

Product #	Description
343000	Alemite FCS unit without printer
343000-1	Alemite FCS unit with built in printer



**343000**

# FLUID MANAGEMENT SYSTEMS

## ACCU-GUARD

Accu-Guard® PC Fluid Management Systems handle up to 20 different fluids and 792 outlets.

### PC

The Alemite Accu-Guard® PC is used in larger operations, managing up to 20 fluids and 792 dispensing outlets.



**339000-PC**

**FEATURES:**

- Controls up to 20 fluids and 792 outlets
- Up to 99 key inputs with simultaneous dispensing of a product from the same keypad
- Use with oils, ATF, petroleum based hydraulic fluids, other fluids
- Full alphanumeric keypad
- Dispenses in pints, quarts, gallons or liters; totalizes in gallon or liters
- Controls tank quantities and reorder levels for accurate inventory management
- Automatically sends fax to alert fluid supplier of low inventory
- Customized reports
- Oil waste tank status alerts user when waste tank is full
- Operates on 110V power supply
- Windows based system requires PC, does not require dedicated PC

Product #	Description
339000-PC	PC Software
339001-1	Keypad

# FLUID MANAGEMENT SYSTEMS

## FLUID MANAGEMENT SYSTEMS ACCESSORIES

### Alemite FCS and Accu-Guard® Accessories



**339005**



**339006**



**338315**



**339277-1**

Product #	Description	Information	Alemite FCS	Accu-Guard
339005	Pulse Meter (Oil)	1/2" NPTF(f) inlet/outlet, max operating pressure 1,500 psi, 0.25 - 8 gpm	X	X
340080	Pulse Meter (Antifreeze, Coolant)	1/2" NPTF(f) inlet/outlet, max operating pressure 1,500 psi, 1 to 6 gpm	X	X
339006	Air Solenoid Valve	1/2" NPTF(f) inlet/outlet, 30 - 150 psi operating pressure, 0.12 amps	X	X
338315	Fluid Solenoid Valve with connector	1/2" NPTF(f) inlet/outlet, max operating pressure 3,000 psi, up to 6 gpm; includes manual override and screen	X	X
338978	Fluid Solenoid Valve	1/2" NPTF(f) inlet/outlet, max operating pressure 3,000 psi, up to 6 gpm; includes manual override and screen	X	X
343025	Connector, Solenoid Valve, Prewired	Prewired with 3' pigtail	X	X
339003-1	Power Supply (Accu-Guard)	24VDC		X
339277-1	Pressure Relief Valve	900 psi max, 1 per pump	X	X
339277-2		1,400 psi max, 1 per pump	X	X
339004-2	Printer with cable	Printer with 340376 cable		X
340376	Printer Adapter Cable	30'		X
339672-1	External Printer	Requires Cable, 343027	X	
343027	Printer Adapter Cable	30'	X	
339012	Configuration Wizard and Cable	6.5' Cable		X
339318	Station Ready Lamp	24VDC power	X	X
339007	Junction Box	Optional	X	X
339276	Pressure Relief Valve Installation Kit	Includes 3' connecting hose and 2 tee reducing branches	X	X
339010	Quad Cable Strain Relief Connector	Optional		X
343030-25	25' Cable		X	
343030-50	50' Cable		X	
343030-100	100' Cable		X	
343030-250	250' Cable		X	
343030-500	500' Cable		X	



## SECTION EIGHT FLUID HANDLING EQUIPMENT



- ▶ Drains
- ▶ Extractors
- ▶ Dispensers
- ▶ Accessories

Constructed of high grade materials, Alemite Fluid Handling Equipment provides efficient, cost effective solutions to remove and store used fluids, and to dispense fresh oil. Their safe and dependable operation contribute to a clean, efficient operating environment.

## DRAINS

Alemite Drains are designed to safely capture used product and transfer the fluids to storage containers.



**8587-1**

### Pressurized Portable Drain

FEATURES:

- 24 gallon wheel mounted tank
- 23" swivel mounted bowl
- Built in evacuation hose
- Gauge indicates when tank is full
- High quality steel construction
- Recommended accessory – ¼" Air Regulator with Gauge (7604-B)



**8586**

### Portable Drain

FEATURES:

- Mounts directly to a 16 gallon drum (338550, not included)
- Cover mounted drain with telescoping tube, and built in ¾" cam lock adapter
- Suction tube for evacuation, including screen to prevent large articles from contaminating pump
- Float gauge indicates when drum is full
- Sturdy steel dolly



**8586-A**

### Portable Drain with Drum

FEATURES:

- Mounts directly to a 16 gallon drum (included)
- Cover mounted drain with telescoping tube, and built in ¾" cam lock adapter
- Suction tube for evacuation, including screen to prevent large articles from contaminating pump
- Float gauge indicates when drum is full
- Sturdy steel dolly

## EXTRACTORS

Alemite's portable oil extractor provides a safe, economical way to empty fluids from engine crankcases using air pressure.

---



**8588**

### Portable Oil Extractor

FEATURES:

- Large 24 gallon wheel mounted tank reduces trips to waste container
- Pressure relief valve to prevent over pressurization
- 6 suction wands with convenient storage caddy
- Recommended accessory – ¼" Air Regulator with Gauge (7604-B)

## DISPENSERS

Alemite pressurized oil dispensers safely and conveniently deliver oil to engine crankcases, transmissions and differentials.

---



**8589/8589-A**

### Pressurized Oil Dispenser

FEATURES:

- 17 gallon tank
- 79" clear dispensing hose
- Valve, air pressure gauge, pressure relief valve and fluid level gauge
- Recommended accessory – ¼" Air Regulator with Gauge (7604-B)
- Includes meter (3671-B) for Product #8589-A Only.

## ACCESSORIES

### Waste Oil Drum 338550

FEATURES:

- 16 gallon capacity
- 2" NPT opening on top and side of container
- For use with Alemite Portable Drain (8586)

### Tank Overfill Alarms

The Alemite Tank Sentry is a valve used to prevent used oil spills due to overfilling storage tanks. Operating air to the evacuation pump passes through the valve. When the storage tank is full, a float on the valve rises and air supply to the pump is stopped.

### Tank Sentry 340078



### Evacuation Hose Kits 338554

FEATURES:

- 3/4" x 6' hose
- Ball valve cam lock
- Use with Alemite Portable Drains (8586, 8586-A)

### Strainers

Alemite Strainers may be used with any Alemite drain, to help prevent contamination of evacuation pumps.

### 3/4" NPT Strainer 338685

### 1" NPT Strainer 339683

### Evacuation Valves

Alemite 4 Way Evacuation Valves simplify extraction and discharge of waste oil fluid, hydraulic, gear and engine oil and automatic transmission fluid.

### 4 Way Evacuation Valve 340289-1

FEATURES:

- 5.5" x 5.5" x 4.6"
- 1" NPT connection
- 200 psi operating pressure
- Weight, 6.6 Lb.



**340289**

### 340289-2

FEATURES:

- 5.5" x 5.5" x 4.6"
- 1.5" NPT connection
- 200 psi operating pressure
- Weight, 6.6 Lb.

### 340289-3

FEATURES:

- 6" x 6" x 4.6"
- 2" NPT connection
- 200 psi operating pressure
- Weight, 7.8 Lb.

### Suction Wand Kit 338557

FEATURES:

- 4 15" flexible wands (3/16", 1/4", 3/8", 1/2")
- Use with Alemite Portable Oil Extractor (8588)





# COMPRESSED AIR COMPONENTS



- ▶ Filter/Regulators
- ▶ Lubricators
- ▶ Air Pressure Gauges
- ▶ Combination Packages
- ▶ Accessories

Pneumatic equipment requires a clean, controlled air supply to work at the highest efficiency. Alemite Compressed Air Components help ensure that your Alemite lubrication systems operate at a high standard, with minimal down time for repair due to poor air quality.

# COMPRESSED AIR COMPONENTS

Alemite Compressed Air Components allow you to accurately and reliably regulate, clean, dry and lubricate the air going into your system. These high quality components improve productivity by reducing the risk of down time due to poor quality air supply.

## FILTERS, REGULATORS AND LUBRICATORS

Alemite offers a variety of packages and individual filters, gauges, regulators and lubricators, allowing you to choose the best option to meet your need.

### Filter and Regulator Packages

Alemite Filter and Regulator Packages include the filter, moisture separator with auto drain, air regulator and air gauge, along with required connecting hardware.



**338860**

Product #	Max Inlet Pressure	Inlet/Outlet	Max Regulated Pressure	Moisture Separator	Regulator and Gauge	Connector (2 each)	Auto-Drain	Weight
338860	175 psi	1/4" NPTf(f)	125 psi	5604-2	7604-B	327033	B334547-1	4.3 Lb.
338862	175 psi	1/2" NPTf(f)	125 psi	5608-2	7608-2	51888	B334547-1	6 Lb.

## Regulators

Constant regulated pressure prevents damage to air operated equipment. Alemite regulators include a pressure relief feature which bleeds off excess pressure when adjustment to lower pressure occurs. Strainer is included with each regulator.



**7604-B**

Product #	Max Inlet Pressure	Inlet/Outlet	Max Regulated Pressure	Pressure Gauge	Air Gauge Inlet	Weight
7604-B	300 psi	1/4" NPTf(f)	125 psi	323449-4	1/4" NPT(m)	2.3 Lb.
7604-1	300 psi	1/4" NPTf(f)	125 psi	NA	NA	2.1 Lb.
7606-B	300 psi	3/8" NPTf(f)	125 psi	323449-4	1/4" NPT(m)	2.3 Lb.
7606-1	300 psi	3/8" NPTf(f)	125 psi	NA	NA	2 Lb.
7608-B	300 psi	1/2" NPTf(f)	125 psi	323449-4	1/4" NPT(m)	3.5 Lb.
7608-1	300 psi	1/2" NPTf(f)	125 psi	NA	NA	3.2 Lb.
7612-B	300 psi	3/4" NPTf(f)	125 psi	323449-4	1/4" NPT(m)	6.3 Lb.
7616-B	300 psi	1" NPT	125 psi	323449-4	1/4" NPT(m)	6.3 Lb.
7624-A	300 psi	1/4" NPTf(f)	125 psi	391421	1/8" NPT(m)	2 Lb.

## FILTERS, REGULATORS AND LUBRICATORS

Alemite offers a variety of packages and individual filters, gauges, regulators and lubricators, allowing you to choose the best option to meet your need.

### Filter/Regulators

Alemite Filter/Regulators are ideal when space is limited. These units offer combined construction, efficiently cleaning and drying air in a compact space.



**7936**

Product #	Max Inlet Pressure	Inlet/Outlet	Airflow @ 90 psi	Bowl Capacity	Operating Temperature	Weight
7936	150 psi	1/4" NPTF(f)	NA	1 oz. - Polycarbonate	32°F - 125°F (0°C - 52°C)	0.6 Lb.
7504	250 psi	1/4" NPT	30 cfm	2 oz. - Metal	32°F - 125°F (0°C - 52°C)	1.6 Lb.
7506	250 psi	3/8" NPT	40 cfm	2 oz. - Metal	32°F - 125°F (0°C - 52°C)	1.8 Lb.
7508	250 psi	1/2" NPT	90 cfm	7.2 oz. - Metal	32°F - 175°F (0°C - 52°C)	4.3 Lb.

### Air Pressure Gauges

Alemite Air Pressure Gauges accurately indicate air pressure being applied to air operated equipment.



**323449-4**

Product #	Dial Range	Connection Location	Connection Thread	Weight
323449-4	0 - 200 psi / 0 - 14 bar	Back	1/4" NPTF(m)	0.3 Lb.
339948	0 - 160 psi / 0 - 11 bar	Back	1/4" NPTF(m)	0.3 lb.

# COMPRESSED AIR COMPONENTS

## FILTERS, REGULATORS AND LUBRICATORS

Alemite offers a variety of packages and individual filters, gauges, regulators and lubricators, allowing you to choose the best option to meet your need.

### Filters

Alemite Filters provide 2 stage filtration, removing condensation and foreign material with minimal pressure drop. Metal bowl construction for durability, and built in sight glass to easily see condensate level.



**5608-2**

Product #	Max Inlet Pressure	Inlet/Outlet	Air Flow @ 100 psi Inlet Pressure	Bowl Capacity	Max Operating Temperature	Required Accessories	Weight
5604-2	250 psi	1/4" NPTF(f)	50 cfm	5 oz.	150°F	B334547-1 Automatic Drain	1.8 Lb.
5606-2	250 psi	3/8" NPTF(f)	50 cfm	5 oz.	150°F	B334547-1 Automatic Drain	1.2 Lb.
5608-2	250 psi	1/2" NPTF(f)	105 cfm	8 oz.	150°F	B334547-1 Automatic Drain	3 Lb.
5612-2	250 psi	3/4" NPTF(f)	270 cfm	16 oz.	150°F	B334547-1 Automatic Drain	5.6 Lb.
5616-2	250 psi	1" NPTF(f)	350 cfm	16 oz.	150°F	B334547-1 Automatic Drain	6 Lb.
5644-1	250 psi	1/4" NPTF(f)	50 cfm	5 oz.	120°F	B334547-1 Automatic Drain (Included)	1.8 Lb.

### Lubricators

Alemite Lubricators add a regulated amount of lubricant to pressurized air. They feature a single dial control, and handle lubricant viscosities up to 800 SSU at 100°F. Metal bowl construction for durability, and built in site glass to easily see fluid level.



**5908-2**

Product #	Max Inlet Pressure	Inlet/Outlet	Air Flow @ 100 psi Inlet Pressure	Bowl Capacity	Max Operating Temperature	Weight
5904-2	250 psi	1/4" NPTF(f)	33 cfm	5 oz.	150°F (66°C)	3 Lb.
5906-2	250 psi	3/8" NPTF(f)	33 cfm	5 oz.	150°F (66°C)	2.3 Lb.
5908-2	250 psi	1/2" NPTF(f)	90 cfm	8 oz.	150°F (66°C)	3.2 Lb.
5912-2	250 psi	3/4" NPTF(f)	330 cfm	16 oz.	150°F (66°C)	6.2 Lb.
5916-2	250 psi	1" NPTF(f)	350 cfm	16 oz.	150°F (66°C)	6 Lb.

**FILTERS, REGULATORS AND LUBRICATORS**

Alemite offers a variety of packages and individual filters, gauges, regulators and lubricators, allowing you to choose the best option to meet your need.

**Accessories**

**B3345471-1 Automatic Drain Mechanism**

**FEATURES:**

- Float controlled mechanism automatically discharges captured moisture when the bowl nears capacity
- Fits all Alemite moisture separators



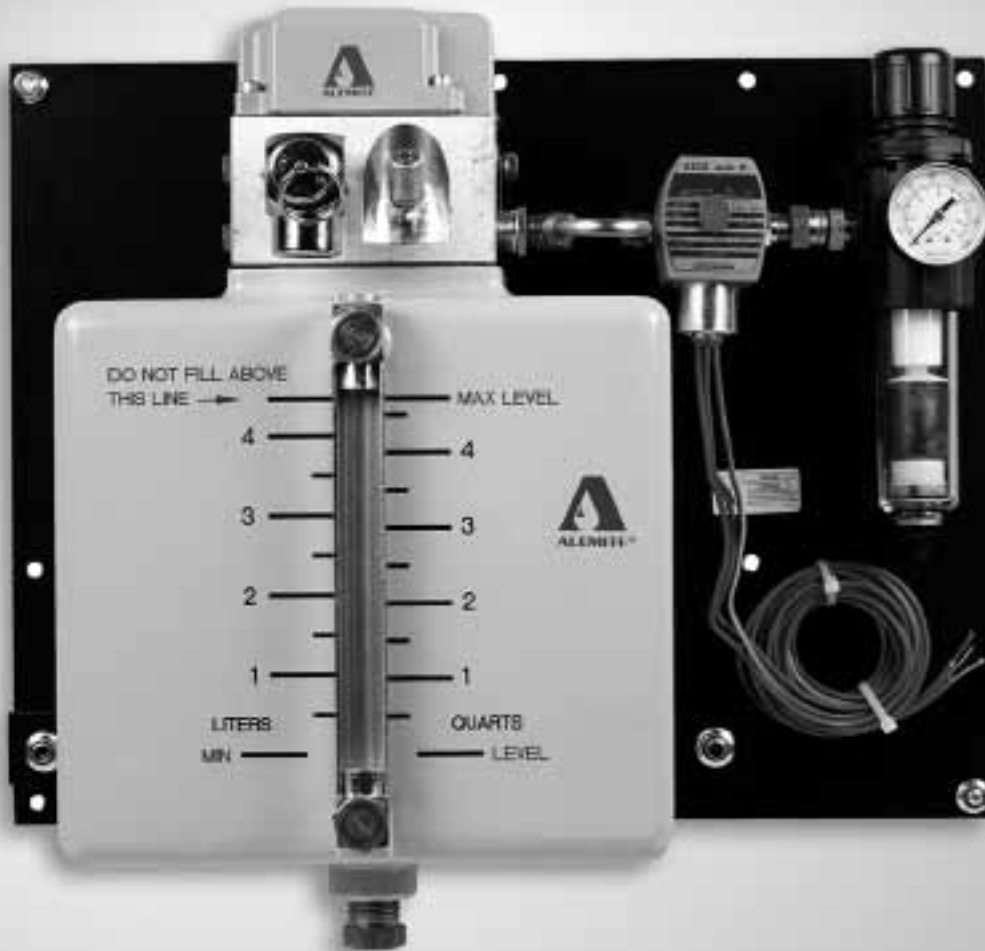
**B334547-1**

**Couplers - Air**

Product #	Thread	Type	Other Features
307111	1/4" NPTF(m)	Coupler - Standard Duty	
307112	1/4" NPTF(f)	Coupler - Standard Duty	
328030	1/4" NPTF(f)	Coupler - Extra Heavy Duty Standard Type	
B328030	1/4" NPTF(f)	Coupler - Extra Heavy Duty Standard Type	Blister Package
B330604	1/4" NPTF(m)	Coupler - Extra Heavy Duty Standard Type	Blister Package
328031	1/2" NPTF(f)	Coupler - Extra Heavy Duty Volume Type	
328032	3/4" NPTF(f)	Coupler - Extra Heavy Duty Volume Type	
307115	1/4" NPTF(m)	Adapter	Use with 307111
307116	1/4" NPTF(f)	Adapter	Use with 307112
328034	1/4" NPTF(m)	Adapter	Use with 328030
B330605	1/4" NPTF(f)	Adapter	Use with 330604
328036	3/8" NPTF(m)	Adapter	Use with 328031
328033	1/2" NPTF(m)	Adapter	Use with 328032
328037	3/4" NPTF(m)	Adapter	Use with 328032



# CENTRALIZED LUBRICATION



- ▶ Oil Mist
- ▶ Injectors
- ▶ Series Progressive Divider Valves
- ▶ Autolube® BTX
- ▶ Pumps

Alemite Centralized Lubrication equipment provides worry free reliability for heavy equipment and industrial lubrication, ensuring maximum up time. Flexible to meet your specific need, Alemite Centralized Lubrication equipment offers cost effective lubrication with minimal staff time requirement.

# CENTRALIZED LUBRICATION

## OIL MIST

Alemite Oil Mist Systems are used to service all types of machine elements that require continuous lubrication, such as rolling element bearings and chain drives. Delivering a continuous, measured stream of clean atomized oil, Alemite Oil Mist Systems have no moving parts for long, reliable life. Alemite Oil Mist Systems use less lubricant, making them a very cost effective option for continuous, automatic lubrication.

### Oil Mist Generators - 1 Pint



**3922-A**

Typical applications:

- Rolling element bearings
- Plain bearings
- Gears
- Chains
- Spindles
- Conveyors
- High speed machinery
- Slides and ways

Product #	CFM Nominal	Flow Range	Reservoir Capacity	Mounting Plate	Oil Heater	Oil Level Switch	Filter/Regulator	Air Solenoid Valve	Air Heater
3922-A	1	0.3-1.4 CFM	1 pint/0.47 l	-	NA	-	-	-	NA
3922-AC	1	0.3-1.4 CFM	1 pint/0.47 l	Yes	NA	-	Yes	115 VAC	NA
3922-B	1	0.3-1.4 CFM	1 pint/0.47 l	-	NA	Yes	-	-	NA
3922-BC	1	0.3-1.4 CFM	1 pint/0.47 l	Yes	NA	Yes	Yes	115 VAC	NA
3922-BD	1	0.3-1.4 CFM	1 pint/0.47 l	Yes	NA	Yes	Yes	230 VAC	NA

# CENTRALIZED LUBRICATION

## OIL MIST

### Oil Mist Generators - 1 Gallon



- Typical applications:
- Rolling element bearings
  - Plain bearings
  - Gears
  - Chains
  - Spindles
  - Conveyors
  - High speed machinery
  - Slides and ways

**3942-BC**

Product #	CFM Nominal	Flow Range	Reservoir Capacity	Mounting Plate	Oil Heater	Oil Level Switch	Filter/Regulator	Air Solenoid Valve	Air Heater
3942-BC	1	0.3-1.4 CFM	1 gal/3.8 l	Yes	Accessory (387323 + 387333)	Yes	Yes	115 VAC	NA
3942-BD	1	0.3-1.4 CFM	1 gal/3.8 l	Yes	Accessory (387323-A + 387333)	Yes	Yes	230 VAC	NA
3942-CB	1	0.3-1.4 CFM	1 gal/3.8 l	Yes	115 VAC	Yes	Yes	-	NA
3942-CC	1	0.3-1.4 CFM	1 gal/3.8 l	Yes	115 VAC	Yes	Yes	115 VAC	NA
3942-DD	1	0.3-1.4 CFM	1 gal/3.8 l	Yes	230 VAC	Yes	Yes	230 VAC	NA
3943-B	2.3	0.8-3.1 CFM	1 gal/3.8 l	-	Accessory (387323 + 387333)	Yes	-	-	NA
3943-BC	2.3	0.8-3.1 CFM	1 gal/3.8 l	Yes	Accessory (387323 + 387333)	Yes	Yes	115 VAC	NA
3943-BD	2.3	0.8-3.1 CFM	1 gal/3.8 l	Yes	Accessory (387323-A + 387333)	Yes	Yes	230 VAC	NA
3943-CB	2.3	0.8-3.1 CFM	1 gal/3.8 l	Yes	115 VAC	Yes	Yes	-	NA
3943-CC	2.3	0.8-3.1 CFM	1 gal/3.8 l	Yes	115 VAC	Yes	Yes	115 VAC	NA
3943-DD	2.3	0.8-3.1 CFM	1 gal/3.8 l	Yes	230 VAC	Yes	Yes	230 VAC	NA

### Oil Mist Generators - 3 Gallon



**3705-C**

Product #	CFM Nominal	Flow Range	Reservoir Capacity	Mounting Plate	Oil Heater	Oil Level Switch	Filter/Regulator	Air Solenoid Valve	Air Heater
3705-C	2.3	1.3-2.7 CFM	3 gal/11.36 l	NA	115 VAC	Yes	7936	387449-1	Accessory (383808-A4)
3706-C	4.3	2.4-5.2 CFM	3 gal/11.36 l	NA	115 VAC	Yes	7936	387449-1	Accessory (383808-A4)
3707-C	9.7	5.5-12.4 CFM	3 gal/11.36 l	NA	115 VAC	Yes	7936	387449-1	Accessory (383808-A4)



# CENTRALIZED LUBRICATION

## OIL MIST

### Oil Mist Generators - 3.6 Gallon

Product #	CFM Nominal	Reservoir Capacity	Flow Range	Mounting Plate	Oil Heater	Oil Level Switch	Filter/Regulator	Air Solenoid Valve	Air Heater
3725-A6	9.7	3.6 gal/13.6 l	5.5-12.4 CFM	NA	115 VAC	Yes	Yes	115 VAC	Accessory (383808-A4)
3720-A6	13	3.6 gal/13.6 l	7.5-16 CFM	NA	115 VAC	Yes	Yes	115 VAC	Accessory (383808-A4)
3720-B6	13	3.6 gal/13.6 l	7.5-16 CFM	NA	230 VAC	Yes	Yes	230 VAC	Accessory (383808-B4)
3721-A6	21	3.6 gal/13.6 l	12-24 CFM	NA	115 VAC	Yes	Yes	115 VAC	Accessory (383808-A4)
3721-B6	21	3.6 gal/13.6 l	12-24 CFM	NA	230 VAC	Yes	Yes	230 VAC	Accessory (383808-B4)
3722-A6	41	3.6 gal/13.6 l	23-45 CFM	NA	115 VAC	Yes	Yes	115 VAC	Accessory (383808-A4)
3722-B6	41	3.6 gal/13.6 l	23-45 CFM	NA	230 VAC	Yes	Yes	230 VAC	Accessory (383808-B4)
3726-A6	65	3.6 gal/13.6 l	31-73 CFM	NA	115 VAC	Yes	Yes	115 VAC	Accessory (383808-A4)
3726-B6	65	3.6 gal/13.6 l	31-73 CFM	NA	230 VAC	Yes	Yes	230 VAC	Accessory (383808-B4)
3730-RW6	13	3.6 gal/13.6 l	5.2-14 CFM	NA	115 VAC	Yes	Yes	115 VAC	115 VAC
3730-BW6	13	3.6 gal/13.6 l	5.2-14 CFM	NA	230 VAC	Yes	Yes	230 VAC	230 VAC
3731-RW6	21	3.6 gal/13.6 l	10-22 CFM	NA	115 VAC	Yes	Yes	115 VAC	115 VAC
3731-BW6	21	3.6 gal/13.6 l	10-22 CFM	NA	230 VAC	Yes	Yes	230 VAC	230 VAC
3732-RW6	41	3.6 gal/13.6 l	20-45 CFM	NA	115 VAC	Yes	Yes	115 VAC	115 VAC
3732-BW6	41	3.6 gal/13.6 l	20-45 CFM	NA	230 VAC	Yes	Yes	230 VAC	230 VAC
3736-RW6	65	3.6 gal/13.6 l	31-65 CFM	NA	115 VAC	Yes	Yes	115 VAC	115 VAC
3736-BW6	65	3.6 gal/13.6 l	31-65 CFM	NA	230 VAC	Yes	Yes	230 VAC	230 VAC

## Mist Fittings



Product #	Inlet	Outlet	CFM @ 20" H2O
380791-2	1/8"NPTF(f)	1/8" PTF(m) SAE Special Short	0.08
380791-4	1/8"NPTF(f)	1/8" PTF(m) SAE Special Short	0.16
380791-6	1/8"NPTF(f)	1/8" PTF(m) SAE Special Short	0.24
380791-10	1/8"NPTF(f)	1/8" PTF(m) SAE Special Short	0.49
380791-16	1/8"NPTF(f)	1/8" PTF(m) SAE Special Short	0.68
381303-4	1/8"NPTF(f)	1/4"NPTF(m)	0.16
381303-6	1/8"NPTF(f)	1/4"NPTF(m)	0.24
381303-10	1/8"NPTF(f)	1/4"NPTF(m)	0.49
381303-16	1/8"NPTF(f)	1/4"NPTF(m)	0.68
381290-2	1/4" OD Tube ftg.	1/8" PTF(m) SAE Special Short	0.08
381290-4	1/4" OD Tube ftg.	1/8" PTF(m) SAE Special Short	0.16
381290-6	1/4" OD Tube ftg.	1/8" PTF(m) SAE Special Short	0.24
381290-10	1/4" OD Tube ftg.	1/8" PTF(m) SAE Special Short	0.49
381290-16	1/4" OD Tube ftg.	1/8" PTF(m) SAE Special Short	0.68

# CENTRALIZED LUBRICATION

## OIL MIST

### Condensing Fittings



Product #	Inlet	Outlet	CFM @ 20" H2O
381281-06	1/8"NPTF(f)	1/8" NPTF(m) SAE Special Short	0.02
381281-1	1/8"NPTF(f)	1/8" NPTF(m) SAE Special Short	0.04
381281-2	1/8"NPTF(f)	1/8" NPTF(m) SAE Special Short	0.08
381281-3	1/8"NPTF(f)	1/8" NPTF(m) SAE Special Short	0.12
381281-4	1/8"NPTF(f)	1/8" NPTF(m) SAE Special Short	0.2
381281-5	1/8"NPTF(f)	1/8" NPTF(m) SAE Special Short	0.24
381282-1	1/4" OD Tube ftg.	1/8" PTF(m) SAE Special Short	0.04
381282-2	1/4" OD Tube ftg.	1/8" PTF(m) SAE Special Short	0.08
381282-3	1/4" OD Tube ftg.	1/8" PTF(m) SAE Special Short	0.12
381282-4	1/4" OD Tube ftg.	1/8" PTF(m) SAE Special Short	0.206
381282-5	1/4" OD Tube ftg.	1/8" PTF(m) SAE Special Short	0.24

### Spray Fittings



Product #	Inlet	Outlet	CFM @ 20" H2O
381283-1	1/8" NPTF(m)	1/8" NPTF(m)	0.03
381283-2	1/8" NPTF(m)	1/8" NPTF(m)	0.05
381283-3	1/8" NPTF(m)	1/8" NPTF(m)	0.08
381283-5	1/8" NPTF(m)	1/8" NPTF(m)	0.16
381283-8	1/8" NPTF(m)	1/8" NPTF(m)	0.3
381288-1	1/4" Tube ftg.	1/8" NPTF(m)	0.03
381288-2	1/4" Tube ftg.	1/8" NPTF(m)	0.05
381288-3	1/4" Tube ftg.	1/8" NPTF(m)	0.08
381288-5	1/4" Tube ftg.	1/8" NPTF(m)	0.16
381288-8	1/4" Tube ftg.	1/8" NPTF(m)	0.3
381301-8	1/4" NPTF(m)	1/4" NPTF(m)	0.30



## CENTRALIZED LUBRICATION

## OIL MIST

## Spray Nozzles

Product #	Inlet/Outlet	#of 0.067 holes	CFM @ 20" H2O
383588-1	1/4"NPTF(m)	1	0.31
383588-2	1/4"NPTF(m)	2	0.62
383588-3	1/4"NPTF(m)	3	0.93
383588-4	1/4"NPTF(m)	4	1.24
383588-5	1/4"NPTF(m)	5	1.55
383588-6	1/4"NPTF(m)	6	1.86
383588-7	1/4"NPTF(m)	7	2.17
384280-1	1/2"PTF(m) SAE Special Short	1	0.31
384280-2	1/2"PTF(m) SAE Special Short	2	0.62
384280-4	1/2"PTF(m) SAE Special Short	4	1.24
384280-5	1/2"PTF(m) SAE Special Short	5	1.55
384280-6	1/2"PTF(m) SAE Special Short	6	1.86
384280-8	1/2"PTF(m) SAE Special Short	8	2.48
384280-9	1/2"PTF(m) SAE Special Short	9	2.79
384280-10	1/2"PTF(m) SAE Special Short	10	3.40
326370-1	Threaded 1/2" NPTF(m)	1	0.31
326370-2	Threaded 1/2" NPTF(m)	2	0.62
326370-3	Threaded 1/2" NPTF(m)	3	0.93
326370-4	Threaded 1/2" NPTF(m)	4	1.24
326370-5	Threaded 1/2" NPTF(m)	5	1.55
326370-6	Threaded 1/2" NPTF(m)	6	1.86
326370-7	Threaded 1/2" NPTF(m)	7	2.17
326370-8	Threaded 1/2" NPTF(m)	8	2.48
326370-9	Threaded 1/2" NPTF(m)	9	2.79
326370-10	Threaded 1/2" NPTF(m)	10	3.4
383617-10	Threaded 3/4" NPTF(m)	10	3.4
383617-11	Threaded 3/4" NPTF(m)	11	3.41
383617-12	Threaded 3/4" NPTF(m)	12	3.72
383617-13	Threaded 3/4" NPTF(m)	13	4.03
383617-14	Threaded 3/4" NPTF(m)	14	4.34



# CENTRALIZED LUBRICATION

## OIL MIST

### Oil Mist Accessories

Product #	Description	Product Features
383808-A4	Thermo-Aire Heater Kit - 115 VAC	<ul style="list-style-type: none"> <li>- Used to heat incoming air for misting of high-viscosity oils that do not mist at ambient temperature (viscosities between 1,000 to 6,000 SSU @ 110°F</li> <li>- Unit can also be used to increase and stabilize the air/oil ratio of all oils under varying ambient temperatures</li> <li>- Use with medium-output generators only</li> <li>- 115 VAC</li> <li>- 60 Hz</li> <li>- 600 W</li> </ul>
383808-B4	Thermo-Aire Heater Kit - 230 VAC (B4)	<ul style="list-style-type: none"> <li>- Used to heat incoming air for misting of high-viscosity oils that do not mist at ambient temperature (viscosities between 1,000 to 6,000 SSU @ 110°F</li> <li>- Unit can also be used to increase and stabilize the air/oil ratio of all oils under varying ambient temperatures</li> <li>- Use with medium-output generators only</li> <li>- 230 VAC</li> <li>- 50 Hz</li> <li>- 600 W</li> </ul>
387596	Mist Monitor	<ul style="list-style-type: none"> <li>- Fiber-optic sensor is designed to continuously monitor the established output of the oil mist generator</li> <li>- Sensor responds to changes in air/oil ratio of mist passing through the manifold</li> <li>- Unit will provide an Electronic Control Cabinet if the mist density falls below preset limits</li> <li>- Included items: Junction Box, Fiber-Optic Cables, Mist Manifold</li> </ul>
385033	Mist Pressure Switch	<ul style="list-style-type: none"> <li>- Safety switch used to respond to drop or rise of oil mist line pressure</li> <li>- Can be used to energize a warning signal during machine operation</li> <li>- May also be used to prevent machine startup when manifold pressure is not within accepted limits</li> <li>- Range of adjustments: .03 psi (0.8" H2O) to 3.0 psi (83" H2O)</li> <li>- Factory set operating parameters: 8" H2O on falling pressure; 55" H2O on rising pressure</li> <li>- Contact rating: 10 Ampere @ 115 VAC and 230 VAC</li> </ul>
385662	Sight Assembly with bleed hole	<ul style="list-style-type: none"> <li>- Permits visual inspection of condensed oil after passing through a bearing housing</li> <li>- Snap Valve for manual draining included</li> <li>- Includes a bleed hole to prevent oil from backing up into bearing cavity</li> <li>- Used with a dry sump</li> <li>- Constructed of sturdy transparent acrylic</li> <li>- Installed in the drain hole commonly provided at the bottom of a bearing housing</li> <li>- Connection: 1/2" NPT(m)</li> </ul>
385662-A1	Sight Assembly without bleed hole	<ul style="list-style-type: none"> <li>- Permits visual inspection of condensed oil after passing through a bearing housing</li> <li>- Snap valve for manual draining included</li> <li>- Includes a bleed hole to prevent oil from backing up into bearing cavity</li> <li>- Used with a dry sump</li> <li>- Constructed of sturdy transparent acrylic</li> <li>- Installed in the drain hole commonly provided at the bottom of a bearing housing</li> <li>- Connection: 1/2" NPT(m)</li> </ul>
380696	Reservoir Refill Hose Assembly	<ul style="list-style-type: none"> <li>- 7' long, 3/8" ID hose assembly with 40 micron filter</li> <li>- Loader coupler assembly</li> <li>- Connect directly to pump (7181-4)</li> </ul>



# CENTRALIZED LUBRICATION

Product #	Description	Product Features
387335	Air Filter/Regulator with Gauge	<ul style="list-style-type: none"> <li>- Removes water and particles from incoming air supply</li> <li>- Controls system pressure- 5-micron element- Automatic drain</li> <li>- 1/4" NPT(f) ports</li> <li>- Max inlet pressure: 150 psi</li> <li>- Max outlet pressure: 60 psi (4bar)</li> </ul>
387344	Mounting Bracket	<ul style="list-style-type: none"> <li>- Easy to install</li> <li>- Provides convenient mounting of bare pint units 3922-A and 3922-B</li> </ul>
383647-1	Solenoid Valve for Auto Refill.	<ul style="list-style-type: none"> <li>- Helps control refills of oil mist units</li> </ul>
387449-1/ 387449	Air Solenoid Valve (120 VAC/230 VAC)	<ul style="list-style-type: none"> <li>- 1/4" NPT(f) ports</li> <li>- 1/2" NPT(f) conduit connection</li> </ul>
387387	Brush	Brush, 1-1/2", 1/4" PTF(f)
387386	Brush	Brush, 5/8", 1/4" PTF(f)
387388	Brush	Flat Brush, 2-1/4", 1/4" PTF(f)
387275	Alarm Annunciator - 120 VAC	<ul style="list-style-type: none"> <li>- Provides visual and audible warning of system fault conditions, including: low oil level, high mist pressure, low mist pressure, low air temperature</li> <li>- Selector switch can be used to disable the horn during trouble shooting of the system fault</li> <li>- Horn also features volume control</li> <li>- Dry contacts included to energize a remote alarm ( max. rating of 10 Ampere @ 120/220 VAC)</li> <li>- Contact rating: 10 Amperes @ 115 VAC and 230 VAC</li> </ul>
387323	Oil Heater - 120 VAC	<ul style="list-style-type: none"> <li>- For gallon units</li> <li>- 120 VAC</li> <li>- Maintains oil at 100°F (38° C)</li> <li>- 100 Watt</li> <li>- Recommended for outdoor installations or when the ambient temperature may drop below 70°F(21°C)</li> </ul>
387323-A	Oil Heater - 220 VAC	<ul style="list-style-type: none"> <li>- For gallon units</li> <li>- 220 VAC</li> <li>- Maintains oil at 100°F (38° C)</li> <li>- 100 Watt</li> <li>- Recommended for outdoor installations or when the ambient temperature may drop below 70°F(21°C)</li> </ul>
385787	Automatic Reservoir Filler for 110 VAC Modular Style Generators	<ul style="list-style-type: none"> <li>- Eliminates transporting oil</li> <li>- Generators refilled automatically according to need</li> <li>- Oil level is constantly maintained</li> <li>- Eliminates spills</li> <li>- Prevents contaminated oil from entering system</li> </ul> <p>REQUIRED ACCESSORIES: 110 VAC Solenoid Valve (383647-1); 325738 pump package</p>
385789	Automatic Reservoir Filler for 220 VAC Modular Style Generators	<ul style="list-style-type: none"> <li>- Eliminates transporting oil</li> <li>- Generators refilled automatically according to need</li> <li>- Oil level is constantly maintained</li> <li>- Eliminates spills</li> <li>- Prevents contaminated oil from entering system</li> </ul> <p>REQUIRED ACCESSORIES: 230 VAC Solenoid Valve (383647); 325738 pump package</p>

# CENTRALIZED LUBRICATION

## INJECTORS

Alemite Grease Injectors provide precise, automated lubrication with a wide range of lubrication adjustment, providing the ability to add or remove lubrication points without redesigning the system.

### AL-1 Injectors



**715501-A2**

**FEATURES:**

- Carbon steel with zinc finish to withstand harsh environments
- Adjustable output – 0.008 in<sup>3</sup> to 0.08 in<sup>3</sup>
- 715501-A comes with manifold inlet bolt and necessary hardware

Product #	Description	Max Pressure	Min Pressure	Max Temperature	Inlet	Discharge Ports
715501-A1	1 Station Injector/Manifold Assembly	3,500 psi / 242 bar	2,000 psi (137 bar)	350°F / 177°C	3/8"-NPTF(m)	1/8" NPSF
715501-A2	2 Station Injector/Manifold Assembly	3,500 psi / 242 bar	2,000 psi (137 bar)	350°F / 177°C	3/8"-NPTF(m)	1/8" NPSF
715501-A3	3 Station Injector/Manifold Assembly	3,500 psi / 242 bar	2,000 psi (137 bar)	350°F / 177°C	3/8"-NPTF(m)	1/8" NPSF
715501-A4	4 Station Injector/Manifold Assembly	3,500 psi / 242 bar	2,000 psi (137 bar)	350°F / 177°C	3/8"-NPTF(m)	1/8" NPSF
715501-A5	5 Station Injector/Manifold Assembly	3,500 psi / 242 bar	2,000 psi (137 bar)	350°F / 177°C	3/8"-NPTF(m)	1/8" NPSF
715501-A6	6 Station Injector/Manifold Assembly	3,500 psi / 242 bar	2,000 psi (137 bar)	350°F / 177°C	3/8"-NPTF(m)	1/8" NPSF
715501-KM	Replacement Manifold Injector	3,500 psi / 242 bar	2,000 psi (137 bar)	350°F / 177°C	3/8"-NPTF(m)	1/8" NPSF

### AL-1 Injector Accessories and Repair Kits



**387780**



**340098**



**382600**

Product #	Description
387780	CLS 1000 Controller
387449-2	3 Way Solenoid Valve, 115 VAC
387449-3	3 Way Solenoid Valve, 24 VDC
340098	Pressure Switch - In-line 250 psi falling - 3,000 psi rising
382600	Pressure Vent Valve
715599	Bleeder Fitting (AL-1)
715501-KS	AL-1 Seal Repair Kit
715501-KM	AL-1 Injector Overhaul Kit

# CENTRALIZED LUBRICATION

## INJECTORS

### Injector System Pumps

Alemite Injector System Pumps are designed to withstand harsh environments, and function with AL-1 Injectors.



**331571-C5**

**FEATURES:**

- All steel construction
- Variety of pump ratio and delivery options
- Case hardened mechanical directional valves for durability
- Available in 35 Lb. – 400 Lb. container sizes

Product #	Description	Ratio	Delivery / Minute	Max Temperature	Drum Size	Follower	Cover
331571-A5	Grease and Oil Pump	26:1	5.25 Lb. / 2.3 Kg.	5,200 psi / 359 bar	35 Lb.	338825	338166
331571-B5	Grease and Oil Pump	26:1	5.25 Lb. / 2.3 Kg.	5,200 psi / 359 bar	120 Lb.	338802	338371
331571-C5	Grease and Oil Pump	26:1	5.25 Lb. / 2.3 Kg.	5,200 psi / 359 bar	400 Lb.	338911	318040-4
339359-A1	Grease Pump with Built-In Return to Reservoir	50:1	2.5 Lb. / 1.1 Kg.	7,500 psi / 518 bar	35 Lb.	337665 (338992 metric)	338166 (338982 metric)
339359-B1	Grease Pump with Built-In Return to Reservoir	50:1	2.5 Lb. / 1.1 Kg.	7,500 psi / 518 bar	120 Lb.	338802	338371
339359-C1	Grease Pump with Built-In Return to Reservoir	50:1	2.5 Lb. / 1.1 Kg.	7,500 psi / 518 bar	400 Lb.	338911	318040-4

# CENTRALIZED LUBRICATION

## SP SERIES MODULAR DIVIDER VALVES

Alemite Series Progressive Valves accurately distribute lubricant to multiple lubrication points through a series of metering pistons. They are designed to handle extreme operating temperatures, and will deliver grease or oil.

### Divider Valves - SP Series



**712051**

**FEATURES:**

- 90 Durometer Viton® O Rings standard on all valve and intermediate sections
- Modular design for maximum flexibility in design and installation
- Install and maintain valves without removing lubricant plumbing

Product #	Size (S= Single; T = Twin)	Cycle Indicator Pin	Output Cycle	Inlet Ports	Discharge Ports
712051	5S	NA	0.01 Cubic Inch	1/4" NPSF	1/8" NPSF
712101	10S	NA	0.02 Cubic Inch	1/4" NPSF	1/8" NPSF
712151	15S	NA	0.03 Cubic Inch	1/4" NPSF	1/8" NPSF
712201	20S	NA	0.04 Cubic Inch	1/4" NPSF	1/8" NPSF
712203	20S	Right Hand	0.04 Cubic Inch	1/4" NPSF	1/8" NPSF
712251	25S	NA	0.05 Cubic Inch	1/4" NPSF	1/8" NPSF
712253	25S	Right Hand	0.05 Cubic Inch	1/4" NPSF	1/8" NPSF
712301	30S	NA	0.06 Cubic Inch	1/4" NPSF	1/8" NPSF
712303	30S	Right Hand	0.06 Cubic Inch	1/4" NPSF	1/8" NPSF
712351	35S	NA	0.07 Cubic Inch	1/4" NPSF	1/8" NPSF
712353	35S	Right Hand	0.07 Cubic Inch	1/4" NPSF	1/8" NPSF
712401	40S	NA	0.08 Cubic Inch	1/4" NPSF	1/8" NPSF
712403	40S	Right Hand	0.08 Cubic Inch	1/4" NPSF	1/8" NPSF
712052	5T	NA	0.005 Cubic Inch	1/4" NPSF	1/8" NPSF
712102	10T	NA	0.01 Cubic Inch	1/4" NPSF	1/8" NPSF
712152	15T	NA	0.015 Cubic Inch	1/4" NPSF	1/8" NPSF
712202	20T	NA	0.02 Cubic Inch	1/4" NPSF	1/8" NPSF
712204	20T	Right Hand	0.02 Cubic Inch	1/4" NPSF	1/8" NPSF
712252	25T	NA	0.025 Cubic Inch	1/4" NPSF	1/8" NPSF
712254	25T	Right Hand	0.025 Cubic Inch	1/4" NPSF	1/8" NPSF
712302	30T	NA	0.03 Cubic Inch	1/4" NPSF	1/8" NPSF
712304	30T	Right Hand	0.03 Cubic Inch	1/4" NPSF	1/8" NPSF
712352	35T	NA	0.035 Cubic Inch	1/4" NPSF	1/8" NPSF
712354	35T	Right Hand	0.035 Cubic Inch	1/4" NPSF	1/8" NPSF
712402	40T	NA	0.04 Cubic Inch	1/4" NPSF	1/8" NPSF
712404	40T	Right Hand	0.04 Cubic Inch	1/4" NPSF	1/8" NPSF



## SP SERIES MODULAR DIVIDER VALVES

### SP System Pumps

Alemite SP System Pumps provide maximum flexibility and are ideal for grease or oil series progressive lubrication systems.

Product #	Ratio	Delivery/Cycle	Max Temperature
331571-A5	26:1	0.47 in <sup>3</sup> (7.7 cc)	5,200 psi / 359 bar
331571-B5	26:1	0.47 in <sup>3</sup> (7.7 cc)	5,200 psi / 359 bar
331571-C5	26:1	0.47 in <sup>3</sup> (7.7 cc)	5,200 psi / 359 bar
387785	50:1	0.02 - 0.05 in <sup>3</sup> (0.4 - 0.8 cc)	6,000 psi (414 bar)
387786	25:1	0.03 - 0.12 in <sup>3</sup> (0.5 - 2.0 cc)	3,000 psi (207 bar)
387787	15:1	0.15 - 0.24 in <sup>3</sup> (2.5 - 4.0 cc)	1,800 psi (124 bar)
340176	All	Intermediate Shut Off Plate	6,000 psi (414 bar)

### SP System Reservoirs



**387784**

Product #	Reservoir	Type
387782	10.57 Pt. (2.5 Ltr.)	Oil
387784	11 Lb. (5 Kg.)	Grease

### Inlet and End Sections, Subplates

Product #	Size	Type
715180	1/4"-18 NPSF	Standard Inlet Section
715185	NA	Standard End Section
715518	1/8"-27 NPSF	Intermediate/Subplate

### Tie Rods

Product #	Sections
715030	3
715040	4
715050	5
715060	6
715070	7
715080	8
715090	9
715100	10

## SP SERIES MODULAR DIVIDER VALVES

### SP System Accessories



**710150**

Product #	Description
710150	Performance Reset Indicator, Red, 1,500 psi
710200	Performance Reset Indicator, Orange, 2,000 psi
710300	Performance Reset Indicator, Bronw, 3,000 psi
715576	Proximity Switch, XP-Group B
715577	Cycle Switch/Bracket Assembly, SPDT
715584	Cross Porting Kit
387449-1/ 387449	Air Solenoid Valve (120 VAC/230 VAC)
387449-2	3 Way Solenoid Valve, 115 VAC
387449-3	3 Way Solenoid Valve, 24 VDC
340090	Universal Pump Downtube Adapter
340098	Pressure Switch - In Line (3 - 3,500 psi)
715579	Outlet Check (1/8" NPTF Inlet, 1/8" NPSF outlet)

# CENTRALIZED LUBRICATION

## AUTOLUBE-BTX

The Alemite Autolube-BTX is an automated grease lubrication system that is compact, simple to install, and easy to use. The Autolube-BTX precisely delivers small amounts of lubricant at programmed intervals to multiple bearing points during machine operation. It can be used as a stand alone single point system, or as a pump and reservoir for a series progressive system.

**FEATURES:**

- Built in controller continuously monitors system operation and controls lubrication cycle
- Low level control, cycle indication and external alarm relay output
- Ability to vary grease output for each lubrication point
- Delivers up to 30 lubrication points
- Piston pump delivers 0.08 ox. (0.147 in<sup>3</sup> or 2.4cc/minute) of lubricant at up to 3,500 psi. Includes 2,300 psi maximum pressure relief valve fixed to the pump (not pictured).

### Autolube-BTX Pumps

Product #	Description
4221-S	Pump - 110 VAC with EOCS
4221	Pump - 110 VAC, no EOCS
4251-S	Pump - 24 VDC with EOCS
4251	Pump - 24 VDC no EOCS
4261-S	Pump - 12VDC with EOCS
4261	Pump - 12VDC no EOCS



**4221-S**



# CENTRALIZED LUBRICATION

## AUTOLUBE-BTX

### Autolube-BTX System Components

Product #	Description
339724	Relief Valve - 2,300 psi maximum adjustment
339777	Filter
339981	6 port with EOCS (DPX Block)
339982	8 port with EOCS (DPX Block)
339983	10 port with EOCS (DPX Block)
339984	12 port with EOCS (DPX Block)
339781	6 port without EOCS (DPX Block)
339782	8 port without EOCS (DPX Block)
339783	10 port without EOCS (DPX Block)
339784	12 port without EOCS (DPS Block)
339705	6 port without EOCS (DPS Block)
339706	12 port without EOCS (DPS Block)
339707	18 port without EOCS (DPX Block)
339763	6 port with EOCS (DPS Master only)
339764	12 port with EOCS (DPS Master only)
339765	18 port without EOCS (DPS Master only)
393750	Fault Indicator Kits
340369	Check Valve, 1/8" Outlet

### Autolube BTX-Tubing and Connectors

Product #	Description
339760	Push to Lock Tube Fittings
339762-50	Nylon Tubing - 1/4" x 50'
339762-150	Nylon Tubing - 1/4" x 150'
339738	Tube Fitting for Steel Tube - 1/4" OD x 1/8" NPT
339813	Tube Fitting for Steel Tube - 1/4" OD x 1/4" NPT

### Autolube-BTX Plumbing Accessories

Product #	Description
1000-44	Union Adapter, 1/4" NPT(m) x 1/4" NPT(f)
306722	Adapter, 1/4" NPT(m) x 1/8" NPT(m) (Reducing Hex Nipple)
43706	Elbow Body - 90° 1/8" NPT x 1/8" NPT
43716	Elbow Body - 45° 1/8" NPT x 1/8" NPT
43748	Elbow Body - 90° 1/4" NPT x 1/4" NPT

### Autolube-BTX Reservoir Refill Options

Product #	Description
7531-4	Manual Lubricator - 35 Lb. Pail
585-B1	Cordless Grease Gun, 14.4V, 2 Batteries
339812	Shoulder Strap for Cordless Grease Gun



**AUTOLUBE-BTX**

**Autolube-BTX Metering Screws - DPX Valves**

<b>Product #</b>	<b>Description</b>
339768-100	0.0061 in <sup>3</sup>
339768-200	0.0122 in <sup>3</sup>
339768-300	0.0183 in <sup>3</sup>
339768-400	0.0244 in <sup>3</sup>

**Autolube-BTX Metering Plugs - DPS Valves**

<b>Product #</b>	<b>Description</b>
339734-025	0.0015 in <sup>3</sup>
339734-050	0.0031 in <sup>3</sup>
339734-075	0.0046 in <sup>3</sup>
339734-100	0.0061 in <sup>3</sup>



# SINGLE POINT LUBRICATORS



- ▶ Greasomatic®
- ▶ Easylube®
- ▶ Spring Driven
- ▶ Accessories

Alemite Single Point Lubricators provide reliable lubrication for single points requiring constant lubrication. Available in grease or oil models, Alemite Single Point Lubricators are self contained and adjustable, and are especially useful for remote or difficult to access lubrication points.

# SINGLE POINT LUBRICATORS

## GREASE LUBRICATORS



**1745-20GR001**

### Greaseomatic®

The Alemite Greaseomatic® is a completely self contained lubricator providing up to 12 months of pre-selected, controlled lubrication.

#### FEATURES:

- 20 pack of Greaseomatic units
- Dispenses 4oz (120 ml) of lubricant at a controlled rate over 1 to 12 months
- Pressure relief valve will open if line or bearing is blocked, preventing over pressurization
- Corrosion resistant plastic stands up to harsh environments
- 7 built in discharge rates
- Easy to view flow monitoring windows
- Non-hazardous chemicals create gas charge to dispense grease
- Dimensions: 5" x 2-3/4"
- Connection Thread: 1/4" NPFT(m)

Product #	Description	Capacity	Temperature Range	Operating Pressure	Number of discharge rates
1745-20GR001	Greasomatic	4 oz (120 ml)	-4°F to 140°F (-20°C to 60°C)	20 psi	7

# SINGLE POINT LUBRICATORS

## GREASE LUBRICATORS



**1746-151**

### Easylube®

Alemite's Easylube® Automatic Grease Lubricator is corrosion, dust and moisture resistant, and is easily adjustable to deliver controlled lubrication for up to 12 months.

#### FEATURES:

- Easily adjust dispensing time and volume – 1 to 12 months
- Long life lithium battery pack (CR-P2 6V, 1300 mah)
- Refillable reservoir can be used repeatedly
- Warning light flashes to indicate low grease supply or grease blockage
- Can be installed up to 15 feet from lubrication point, to serve hard to reach areas
- UL rated for Class I, Division 2, Groups B, C and D: Class II, Division 2, Groups F & G hazardous locations
- Explosion proof
- Body's heat resistance 10°F - 194°F (-12°C - 90°C)
- Available as a single unit or in packs of 10
- Dimensions: 6" x 3.3"
- Connection Thread: 1/2" NPT(m)

Product #	Description	Capacity	Temperature Range	Spring	Pressure Ratings (psi)	Weight
1746-151	Easy Lube Automatic Lubricator	5 oz. (148 ml)	-5°F to 140°F (-20°C to 60°C)	NA	75 psi	1.6 Lb.
1746-151X	Easy Lube Automatic Lubricator	5 oz. (148 ml)	-5°F to 140°F (-20°C to 60°C)	NA	75 psi	16.2 Lb.

### Easylube reference table for setting dispensing time and volume

Time Setting	Switch (On)	Daily (24 Hrs)	Weekly (7 Days)	Monthly (30 Days)
1 M	1	0.17 oz.	1.18 oz.	5.07 oz.
2 M	2	0.08 oz.	0.59 oz.	2.54 oz.
3 M	2 + 1	0.06 oz.	0.39 oz.	1.69 oz.
4 M	4	0.04 oz.	0.30 oz.	1.27 oz.
5 M	4 + 1	0.03 oz.	0.24 oz.	1.01 oz.
6 M	4 + 2	0.03 oz.	0.20 oz.	0.85 oz.
7 M	4 + 2 + 1	0.02 oz.	0.17 oz.	0.72 oz.
8 M	8	0.02 oz.	0.15 oz.	0.63 oz.
9 M	8 + 1	0.02 oz.	0.13 oz.	0.56 oz.
10 M	8 + 2	0.02 oz.	0.12 oz.	0.51 oz.
11 M	8 + 2 + 1	0.02 oz.	0.11 oz.	0.46 oz.
12 M	8 + 4	0.01 oz.	0.10 oz.	0.42 oz.



# SINGLE POINT LUBRICATORS

## SPRING DRIVEN LUBRICATORS

Alemite Spring Driven Lubricators are a proven, simple method to deliver lubrication.



**B1741-A**

### Visi-Lube Automatic Lubricator

**FEATURES:**

- Clear plastic allows easy monitoring of grease level
- Refillable through standard hydraulic grease fitting
- Sturdy, 1 piece steel base and core
- Controls grease flow through spring pressure (3 pressure springs included)
- Safety vent prevents overflowing
- Connection Thread: 1/8" NPFT(m)

Product #	Description	Capacity	Temperature Range	Spring	Pressure Ratings (psi)	Color	Weight
B1741-A	Visi-Lube Automatic Lubricator	1.22 Oz. (37 ml)	-40°F to 150°F(-40°C to 66°C)	Extra Heavy Heavy Standard	5.8 psi/0.40 bar (full) - 3.6 psi/0.25 bar (empty) 4.6 psi/0.32 bar (full) - 2.9 psi/0.20 bar (empty) 3.5 psi/0.24 bar (full) - 2.2 psi/0.15 bar (empty)	Black Green Orange	0.5 Lb.

# SINGLE POINT LUBRICATORS

## SPRING DRIVEN LUBRICATORS

Alemite Spring Driven Lubricators are a proven, simple method to deliver lubrication.



**43570-A2**

### Automatic Pressure Cup

**FEATURES:**

- Adjustable knob controls lubricant flow
- Tapered metering pin attached to unit piston ensures uniform flow
- Refillable through standard hydraulic grease fitting
- Includes 3 variable pressure springs
- Connection Thread: 1/4" NPFT(m)

Product #	Description	Capacity	Temperature Range	Spring	Pressure Ratings (psi)	Color	Weight
43570-A2	Automatic Pressure Cup	1.75 oz. (52 ml)	-40°F to 150°F (-40°C to 66°C)	Extra Heavy, Heavy, Standard	14.1 psi/0.97 bar (full) - 6.6 psi/0.46 bar (empty), 8.60 psi/0.59 bar (full) - 3.9 psi/0.27 bar (empty), 6.60 psi/0.46 bar (full) - 3.1 psi/0.21 bar (empty)	Black, Green, Orange	1.4 lb.



# SINGLE POINT LUBRICATORS

## EASY LUBE® ACCESSORIES

Accessories for easy installation of Alemite Easylube® Single Point Lubricators.

Product #	Description	Weight
339588	Refillable Grease Cup PT 1/2" (m)	0.2 Lb.
339589	Refill Grease Positioning Cover	0.1 Lb.
339590	Refill Grease Nipple	0.2 Lb.
339591	Adapter, 45°, 1/2" (f) x 1/8" (m)	0.1 Lb.
339592	Adapter, Straight, 1/2" (f) x 1/8" (m)	0.1 Lb.
339593	Adapter, 45°, 1/2" (f) x 1/4" (m)	0.1 Lb.
339594	Adapter, Straight, 1/2" (f) x 1/4" (m)	0.1 Lb.
339596	Adapter, Straight, 1/2" (f) x 3/8" (m)	0.1 Lb.
339597	Remote mounting bracket for 8mm plastic tubing	0.5 Lb.
339598	Remote mounting bracket for 1/4" metal tubing	0.5 Lb.
339599	Adapter, 45°, 1/2" (f) x 8 mm (m)	0.1 Lb.
339600	Adapter, Straight, 1/2" (f) x 8 mm (m)	0.1 Lb.
339602	Adapter, Straight, 1/2" (f) x 10 mm (m)	0.1 Lb.
339603	Battery Pack, Lithium, 6 V	0.1 Lb.
387390	Check Valve, 1/4" (f) x 1/4" (m)	0.8 Lb.
387391	Oil Throttle	0.6 Lb.



SECTION TWELVE  
**LUBRICATION ACCESSORIES**



- ▶ Tie-Down Kits
- ▶ Dollies & Hand Trucks
- ▶ Lube Carts

Alemite Lubrication Accessories provide safe and efficient options to improve ease of use, workplace safety, and productivity.

### LUBE TRUCK ACCESSORIES

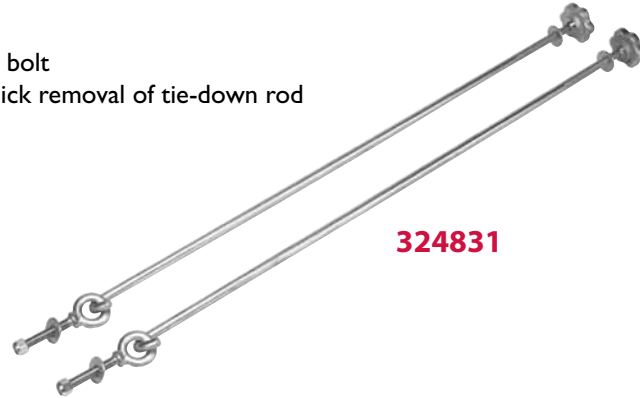
Alemite lubrication accessories help simplify lubrication processes, improving productivity.

#### Tie Down Kits

Alemite Tie-Down Kits provide safe mounting of pumps and drums to truck platform or bed.

**FEATURES:**

- Tie-down rods hook into eye bolt
- Hand-sized knobs provide quick removal of tie-down rod for easy drum changes



**324831**

Product #	Drum Size	Use with Cover	Weight
321340	120 Lb.	338371, 338977, 323800-4	7.3 Lb.
324831	400 Lb.	324792-4, 324793-4	7.4 Lb.
334850	400 Lb.	NA	8.8 Lb.

### DOLLIES AND HAND TRUCKS

Alemite Dollies and Hand Trucks provide safe and easy movement of product containers. They are constructed of steel for durability and performance.

#### Dollies

**FEATURES:**

- Sturdy, all steel welded construction
- 4 free-swiveling casters for smooth movement



**316315-5**



**336899**



**36575-B1**

Product #	Drum Size	Diameter	Weight
316315-5	16 Gal/120 Lb.	20"	10 Lb.
336899	55 Gal/400 Lb.	23.5"	18 Lb.
36575-B1	16 Gal/120 Lb.	14.3"	6.5 Lb.

**DOLLIES AND HAND TRUCKS**

Alemite Dollies and Hand Trucks provide safe and easy movement of product containers. They are constructed of steel for durability and performance.

**Hand Trucks**

FEATURES:

- Sturdy steel construction
- Stable base (6777-5)



**338958**



**6777-5**

Product #	Use With	Dimensions	Weight
338958	35 Lb., 120 Lb. containers	25"L x 20"W x 37.5"H	19.2 Lb.
6777-5	7181 and 7149 Series Metal Bucket Pumps	18" width	29 Lb.

**Lube Carts**

FEATURES:

- Designed space for hose reel
- Pivoting back wheels for easy moving around corners
- Arm extends to hold control handle or meter
- Pivoting handle to allow operator to manually move the cart, or attach to a motorized cart

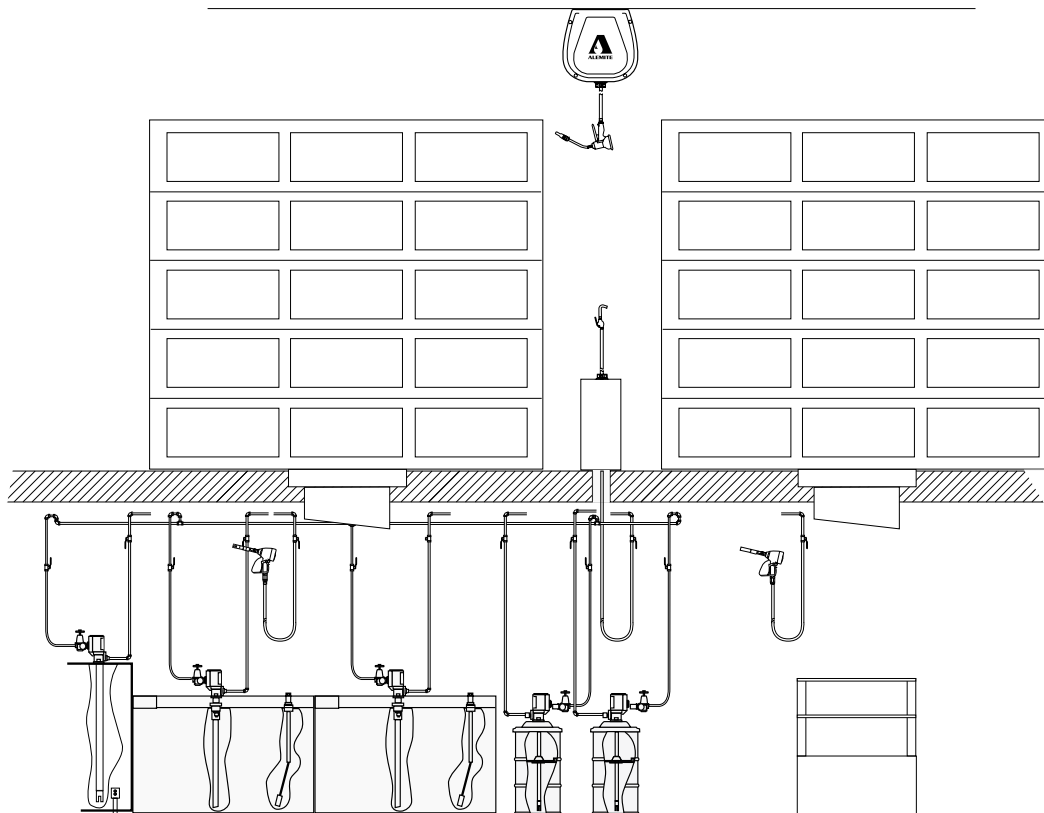
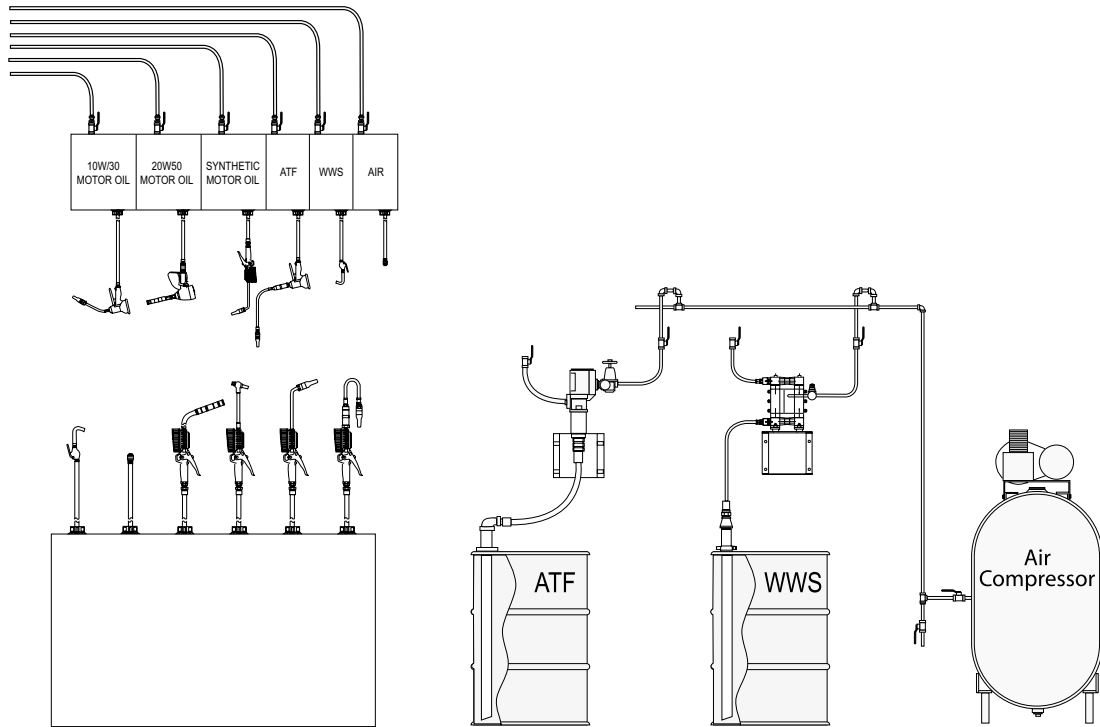


**340341**

Product #	Load Capacity	Dimensions	Weight
340341	55 Gal/400 Lb.	38"L x 26"W	89 Lb.

# EXAMPLE PRODUCT CONFIGURATIONS

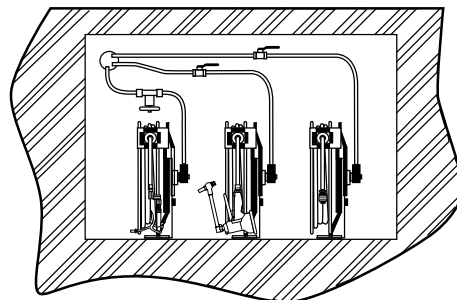
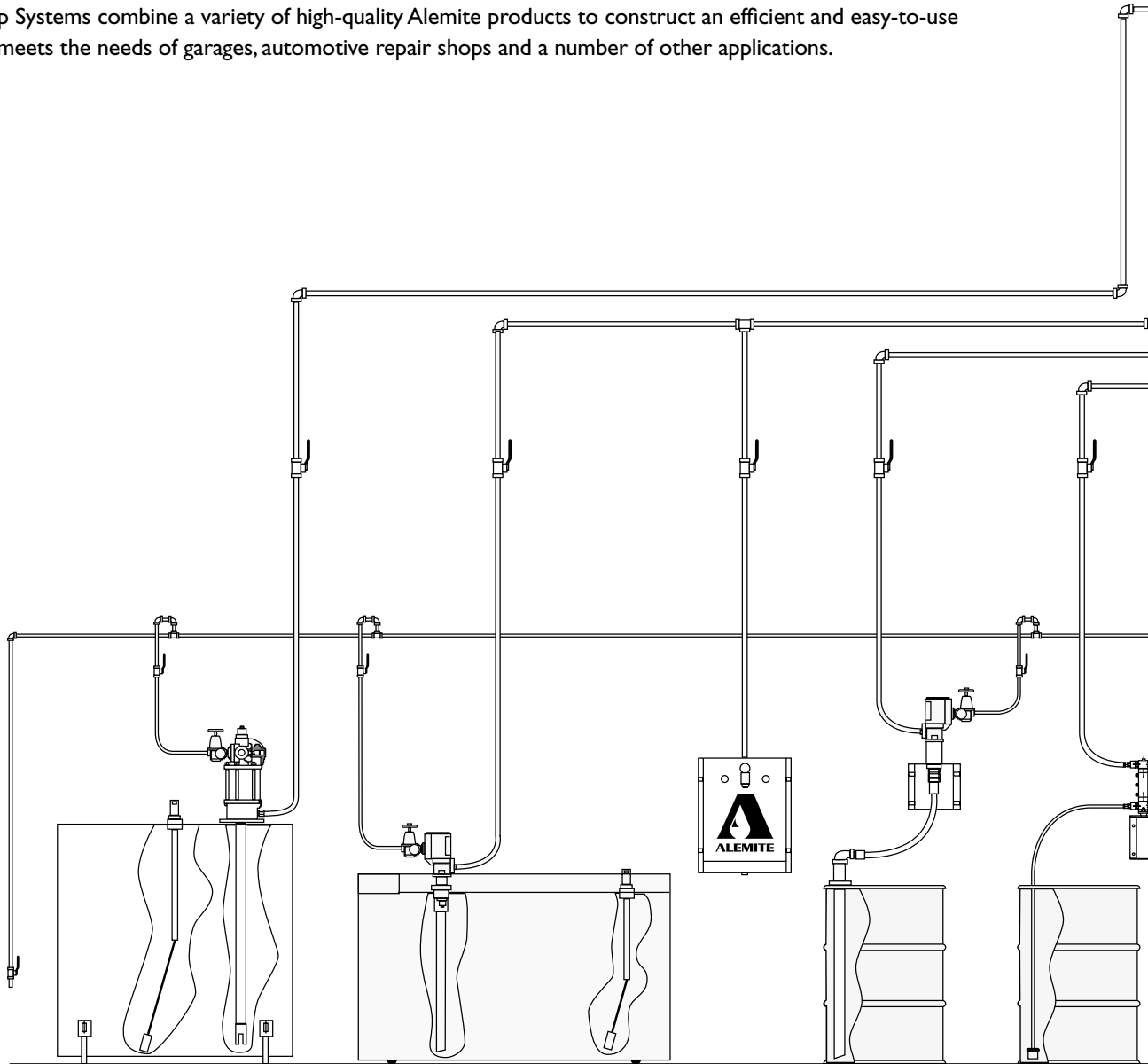
## Shop Systems



# EXAMPLE PRODUCT CONFIGURATIONS

## Shop Systems

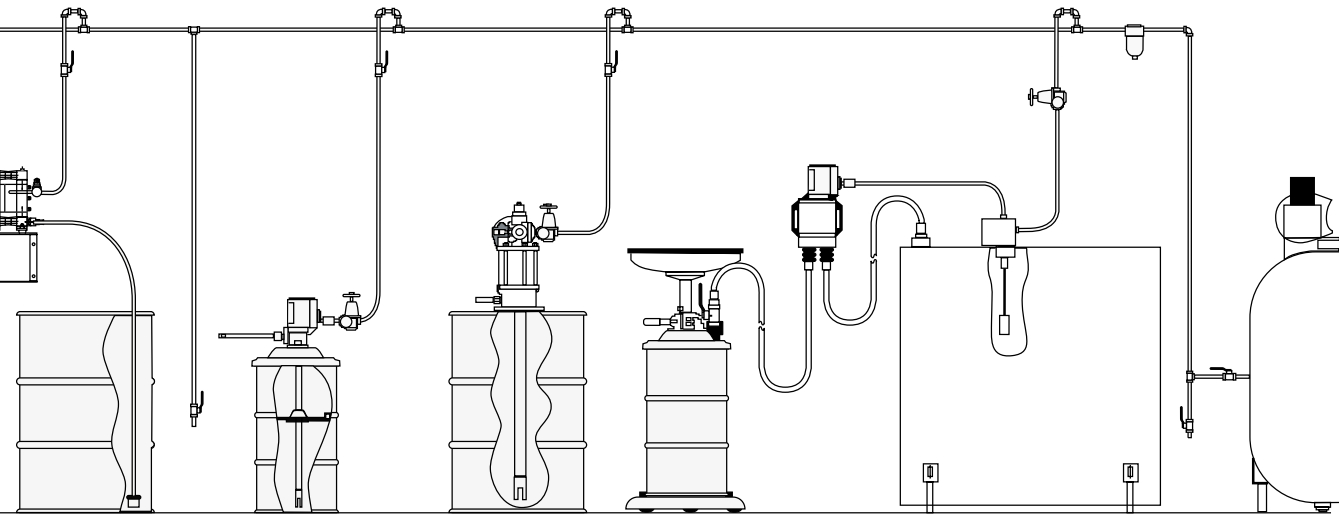
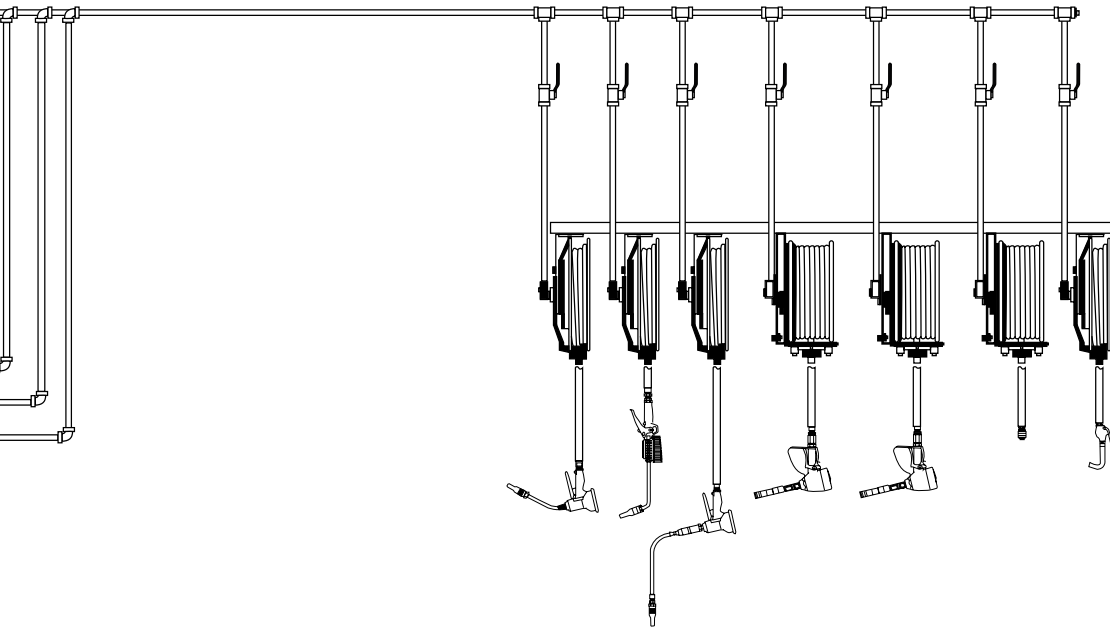
Alemite Shop Systems combine a variety of high-quality Alemite products to construct an efficient and easy-to-use system that meets the needs of garages, automotive repair shops and a number of other applications.





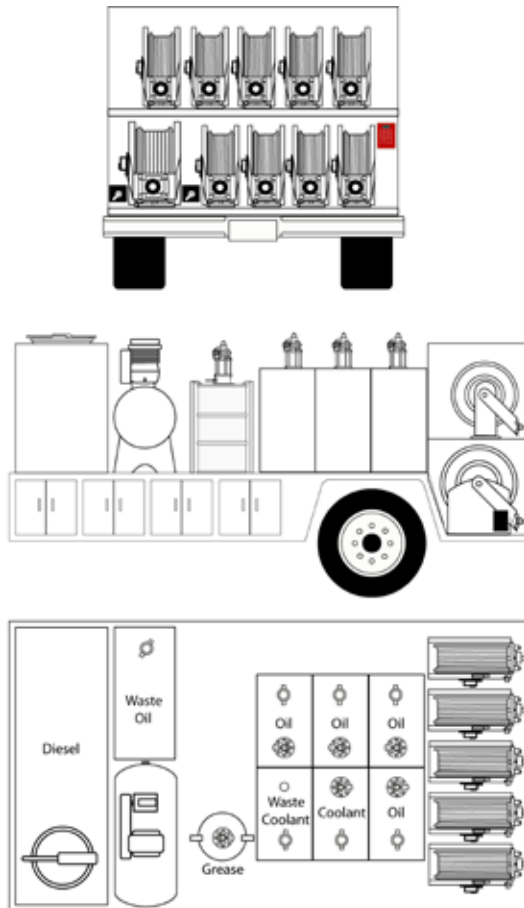


# EXAMPLE PRODUCT CONFIGURATIONS



# EXAMPLE PRODUCT CONFIGURATIONS

## Lube Truck



## Grease

Part Number	Qty.	Description	Page
8081-B	1	H.P. Double Post Reel, 50' Hose, Hose Stop	127
6320-3	1	H.P. Control Valve	144
B321320	1	H.P. Z-Swivel	138
7785-B5	1	40:1 Heavy Duty Pump	71
323800-4	1	Cover	102
338804	1	Follower	103
321340	1	Tie Down Kit	173
340323-4	1	Grease Label	N/A

## Oils

Part Number	Qty.	Description	Page
8081-D	4	M.P. Double Post Reel, 50" Hose, Hose Stop	127
3621	3	Meters: 2 - Motor Oil, Gear Oil	153
3622	1	Meter: Hydraulic Oil	153
7783-C4	4	6:1 Heavy Duty Stub Pump: Motor Oil, Gear Oil, Hydraulic Oil	82
NPN	4	Suction Tube by Installer	N/A
340323-2	2	Engine Oil Label	N/A
340323-8	1	Gear Oil Label	N/A
340323-9	1	Hydraulic Oil Label	N/A
339000-B	1	Accu-Guard® Compact +	111
339005	4	Pulsemeter	112
338315	4	Fluid Solenoid Valve	112
339003-1	1	Power Supply	112

## Coolant

Part Number	Qty.	Description	Page
8081-D	1	M.P. Double Post Reel, 50' Hose, Hose Stop	127
8202	1	1/2" Diaphragm Pump	94
3621	1	Meter	153
340080	1	Pulsemeter	112
338315	1	Fluid Solenoid Valve	112



# EXAMPLE PRODUCT CONFIGURATIONS

## Grease Pump Systems with Heavy-Duty Reel

Alemite Grease Systems featuring an Alemite Heavy-Duty Reel offer functionality and convenience to a range of applications. Allowing the user to reach a broad area with the extension capabilities of our heavy-duty reels, these systems provide simplicity when lubricating at high pressures.

### 387769

#### Standard-Duty Grease Pump with Heavy-Duty Reel – 120-lb. Drum

Included Items: 1-17 below (except 7 & 10 – these have to be furnished by the equipment installer)

Item	Product #	Qty.	Description	Page
1	8550-A1	1	50:1 Pump & Cover	69
2	338802	*	Follower	103
3	317882-7	1	Hose	139
4	1001-86	1	Union	34
5	380372-B1	1	Strainer	104
6	308785	2	Shut-Off Valve	N/A
7	NPN	***	Lubricant Piping	N/A
8	8078-B	1	50' Reel Assembly	124
9	6320-3	1	Control Valve	144
10	NPN	***	Air Piping	N/A
11	338860	1	Filter/Regulator Package †	164
12	317803-3	1	Hose	141
13	B328030	*	Air Coupler	N/A
14	B328034	*	Air Adapter	N/A
15	51888	1	Male Adapter	34
16	SWA274	1	1/2" Ball Valve	N/A
17	130552	1	Male/Male Adapter	34
18	B331107	1	Swivel	138

### 387770

#### RAM Grease Pump with Heavy-Duty Reel – 120-lb. Drum

Included Items: 1-17 below (except 7 & 10 – these have to be furnished by the equipment installer)

Item	Product #	Qty.	Description	Page
1	9950-A1	1	50:1 Pump & Cover	67
2	338802	**	Follower	103
3	317882-7	1	Hose	139
4	1001-86	1	Union	34
5	380372-B1	1	Strainer	104
6	308785	2	Shut-Off Valve	N/A
7	NPN	***	Lubricant Piping	N/A
8	8078-B	1	50' Reel Assembly	124
9	6320-3	1	Control Valve	144
10	NPN	***	Air Piping	N/A
11	338860	1	Filter/Regulator Package †	164
12	317803-3	1	Hose	141
13	328030	1	Air Coupler	N/A
14	328034	1	Air Adapter	N/A
15	51888	1	Male Adapter	34
16	SWA274	1	1/2" Ball Valve	N/A
17	130552	1	Male/Male Adapter	34
18	B331107	1	Swivel	138

**IMPORTANT INFORMATION**

\* Included with 8550-A1

\*\* Included with 9950-A1

\*\*\* NPN – furnished by equipment installer

† Use 338860 when filter/regulator is mounted to a wall. Use 7936 when attached to pump.





# EXAMPLE PRODUCT CONFIGURATIONS

## Medium-Pressure Oil Pump and Reel Systems

Ideal for high-volume lubrication or multiple location dispensing, these medium-pressure systems pipe lubricant from one centrally located area to any on-site location equipped with one or more retractable hose reels within the system.

System consists of a medium-pressure, air-operated lubricant pump, lubricant pipeline and one or more hose reels with control valve.

### 387772

#### RAM Oil Pump with Heavy-Duty Reel – 16-Gallon Drum

Included Items: 1-15 below (except 5 & 8 – these have to be furnished by the equipment installer)

Item	Product #	Qty.	Description	Page
1	9960-A	1	5:1 Pump	80
2	317813-5F	1	Hose	140
3	380372-A1	1	Strainer	104
4	SWA274	3	1/2" Ball Valve	N/A
5	NPN	**	Lubricant Piping	N/A
6	8078-D	1	50' Reel Assembly	124
7	3685-1	1	Oil Meter	148
8	NPN	**	Air Piping	N/A
9	338860	1	Filter/Regulator Package †	164
10	317803-3	1	Hose	141
11	328030	*	Air Coupler	N/A
12	328034	*	Air Adapter	N/A
13	51888	1	Male Adapter	34
14	1000-88	1	Adapter	34
15	130552	1	Male/Male Adapter	34

### 387773

#### RAM Oil Pump with Heavy-Duty Reel – 55-Gallon Drum

Included Items: 1-15 below (except 5 & 8 – these have to be furnished by the equipment installer)

Item	Product #	Qty.	Description	Page
1	9969-B	1	5:1 Pump	80
2	317813-5F	1	Hose	140
3	380372-A1	1	Strainer	104
4	SWA274	3	1/2" Ball Valve	N/A
5	NPN	**	Lubricant Piping	N/A
6	8078-D	1	50' Reel Assembly	124
7	3685-1	1	Oil Meter	148
8	NPN	**	Air Piping	N/A
9	338860	1	Filter/Regulator Package †	164
10	317803-3	1	Hose	141
11	328030	*	Air Coupler	N/A
12	328034	*	Air Adapter	N/A
13	51888	1	Male Adapter	34
14	1000-88	1	Adapter	34
15	130552	1	Male/Male Adapter	34

**IMPORTANT INFORMATION**

\* Not supplied with Alemite pump

\*\* NPN – furnished by equipment installer

† Use 338860 when filter/regulator is mounted to a wall. Use 7936 when attached to pump.

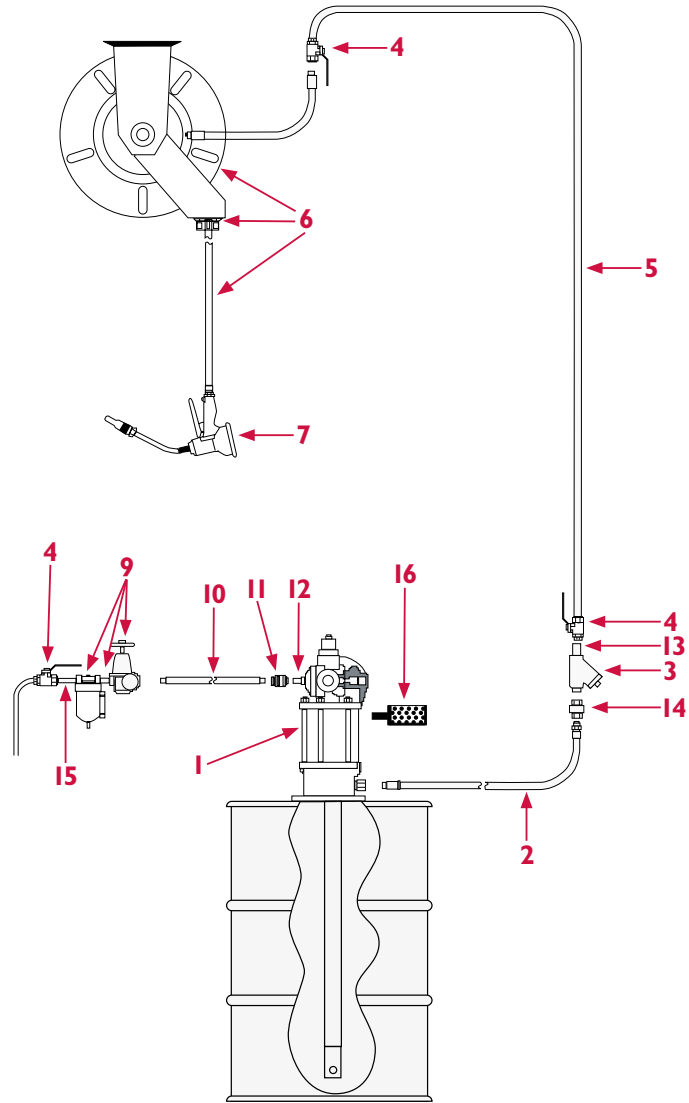
# EXAMPLE PRODUCT CONFIGURATIONS

## 387774

### Heavy-Duty Oil Pump with Heavy-Duty Reel – 55-Gallon Drum

Included Items: 1-16 below (except 5 & 8 – these have to be furnished by the equipment installer)

Item	Product #	Qty.	Description	Page
1	7783-A4†	1	6:1 Pump	82
2	317813-5F	1	Hose	140
3	380372-A1	1	Strainer	104
4	SWA274	3	1/2" Ball Valve	N/A
5	NPN	**	Air Piping	N/A
6	8078-D	1	50' Reel Assembly	124
7	3685-1	1	Oil Meter	148
8	NPN	**	Air Piping	N/A
9	338862	1	Filter/Regulator Package	164
10	317811-5	1	Hose	141
11	328031	*	Air Coupler	N/A
12	328037	*	Air Adapter	N/A
13	51888	1	Male Adapter	34
14	1000-88	1	Adapter	34
15	130552	1	Male/Male Adapter	34
16	324170	1	Muffler	N/A



**IMPORTANT INFORMATION**

- \* Supplied with Alemite pump
- \*\* NPN – furnished by equipment installer
- † Bung mount order 326750-B1

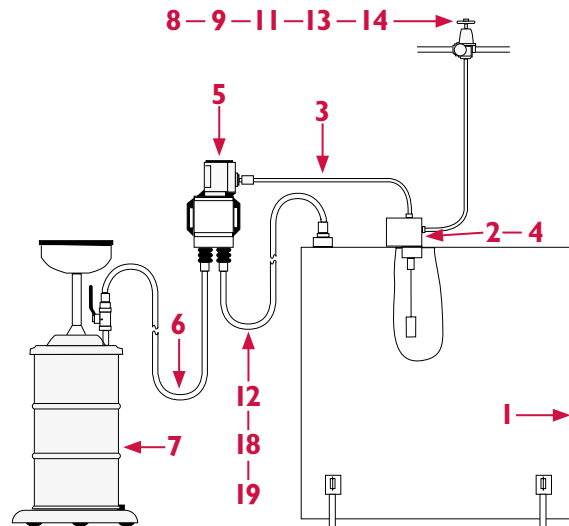
# EXAMPLE PRODUCT CONFIGURATIONS

## Used Fluid Systems

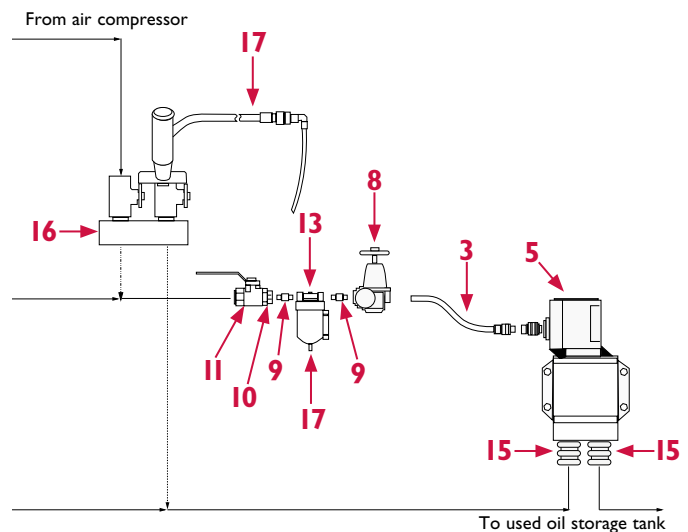
Alemite Used Fluid Systems provide safe and efficient disposal of used fluid. Available in an above-ground or a pit setup, these systems safely and effectively store used product until the time of disposal.

Item	Product #	Description	Page
1	SWA267	275-Gallon Tank	N/A
2	1000-44	Adapter Union 1/4"(m) x 1/4"(f)	34
3	317803-7	Hose	141
4	340078	Tank Sentry	119
5	9920	Evacuation Pump	80
6	338554	Hose, Ball Valve, Coupler Kit	120
7	8586	Portable Drain	115
8	7604-B	Air Regulator w/ Gauge 1/4"	165
9	327033	Adapter 1/4"(m) x 1/4"(f)	34
10	51891	Bushing 1/2"(m) x 1/4"(f)	35
11	SWA274	1/2" Ball Valve	N/A
12	338552	Bushing 2"(m) x 3/4"(f)	35
13	5604-2	Moisture Separator	166
14	B334547-1	Auto Dump Mechanism	167
15	1000-1616	Adapter Union 1"(m) x 1"(f)	34
16	338556	Evacuation Valve	119
17	338557	Suction Wand Kit	119
18	317898-5	Hose	117
19	1000-1612	Adapter 1"(m) x 3/4"(f)	34

Typical Above Ground Used Fluid System



Typical Pit Used Fluid System





# PUMP PERFORMANCE CHARTS

## PUMP PERFORMANCE CURVES

Alemite has a pump to meet virtually every industry application. To find the right pumps for your operation, check the performance capabilities using the performance curves within this section.

### Material Discharge Pressure:

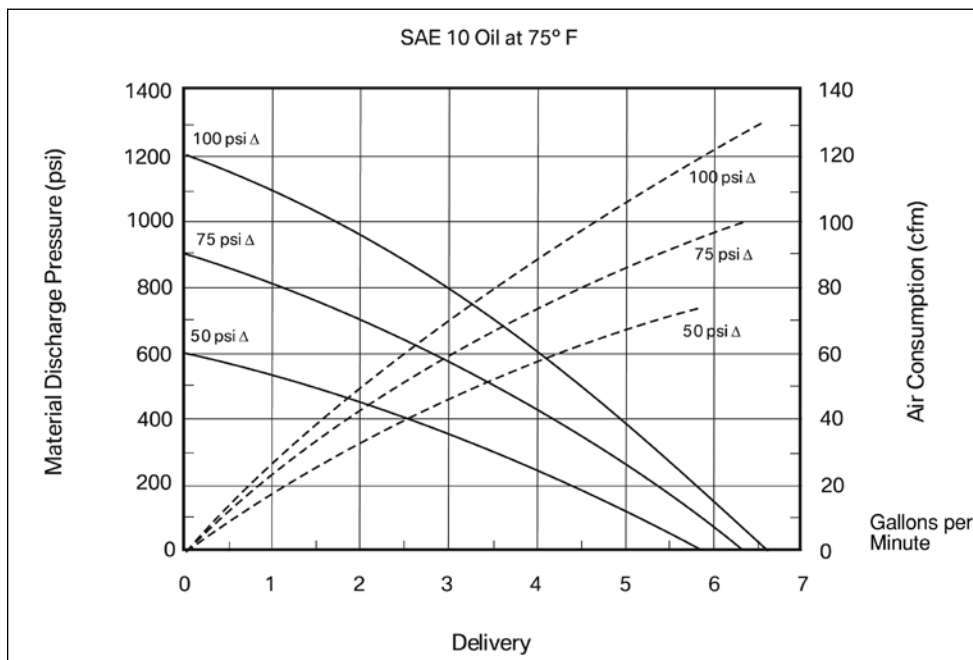
To find material discharge pressure (psi) at a specific delivery (GPM) and air pressure (psi):

1. Locate required delivery along bottom of scale.
2. Follow vertical line up to where it intersects with air pressure curve (solid line).
3. Follow line horizontally to the left column of chart to determine discharge pressure.

### Air Consumption:

To find air consumption (CFM) at a specific delivery (GPM) and air pressure (psi):

1. Locate required delivery along bottom of scale.
2. Follow vertical line up to where it intersects with air pressure curve (dashed line).
3. Follow line horizontally to the right column of chart to determine air consumption.



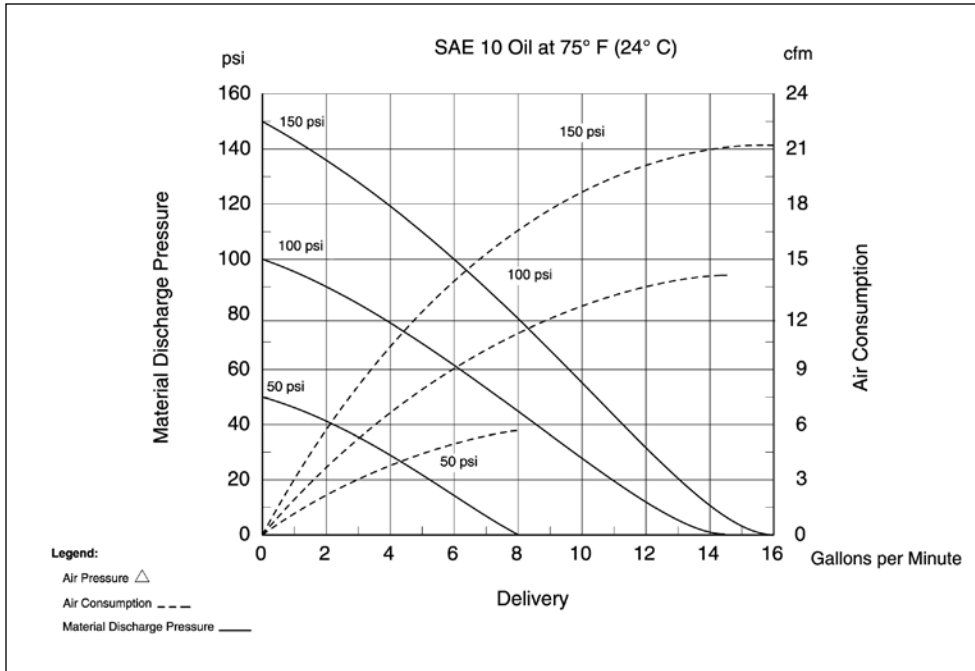




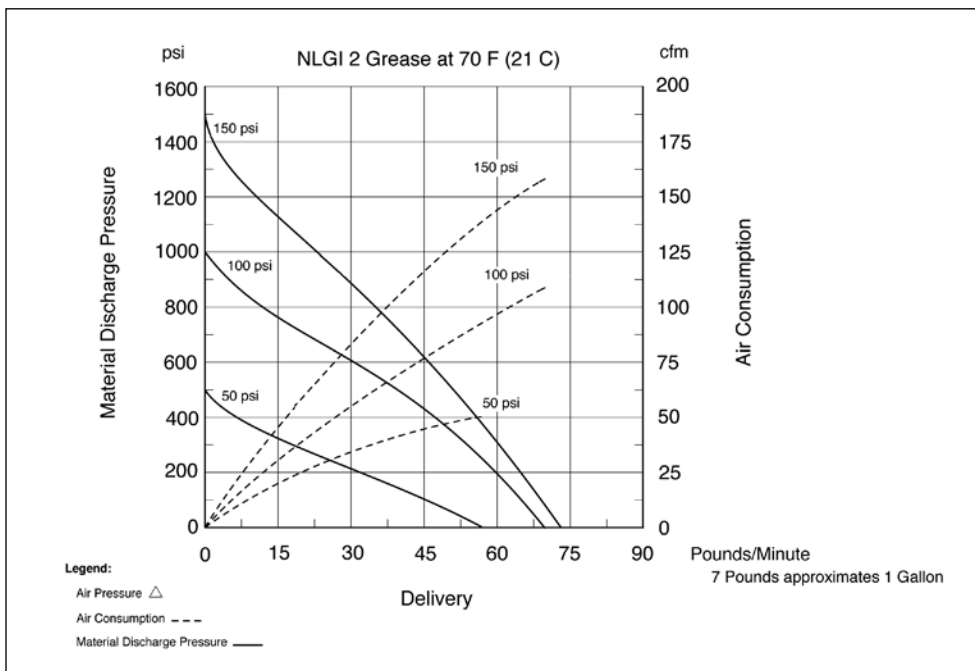
# SECTION FOURTEEN PUMP PERFORMANCE CHARTS

## PUMP PERFORMANCE CURVES

### 7216 series



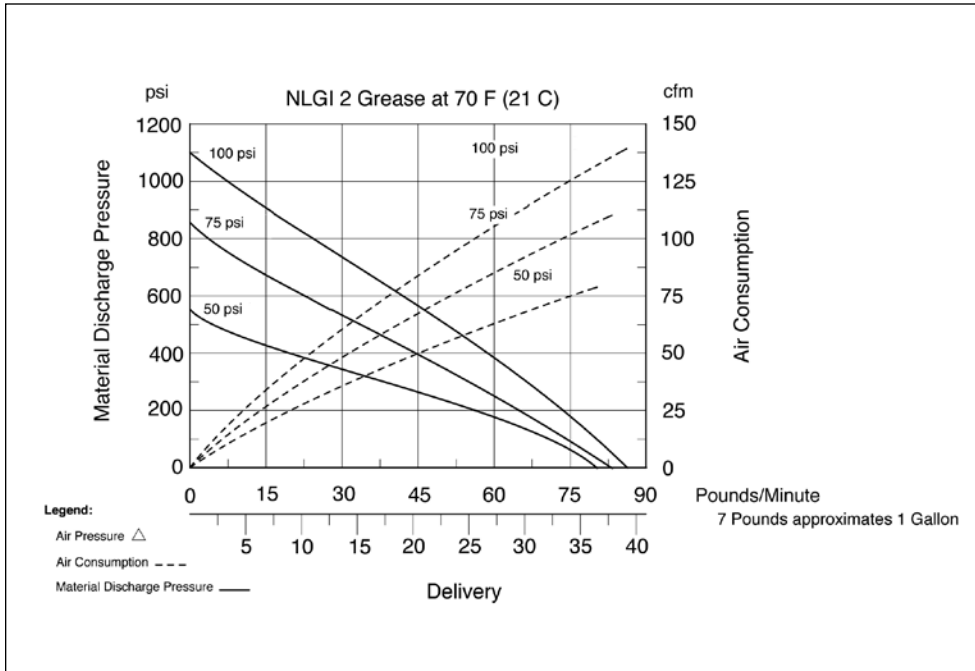
### 7735 series



# PUMP PERFORMANCE CHARTS

## PUMP PERFORMANCE CURVES

### 7736 series



### 7783 series

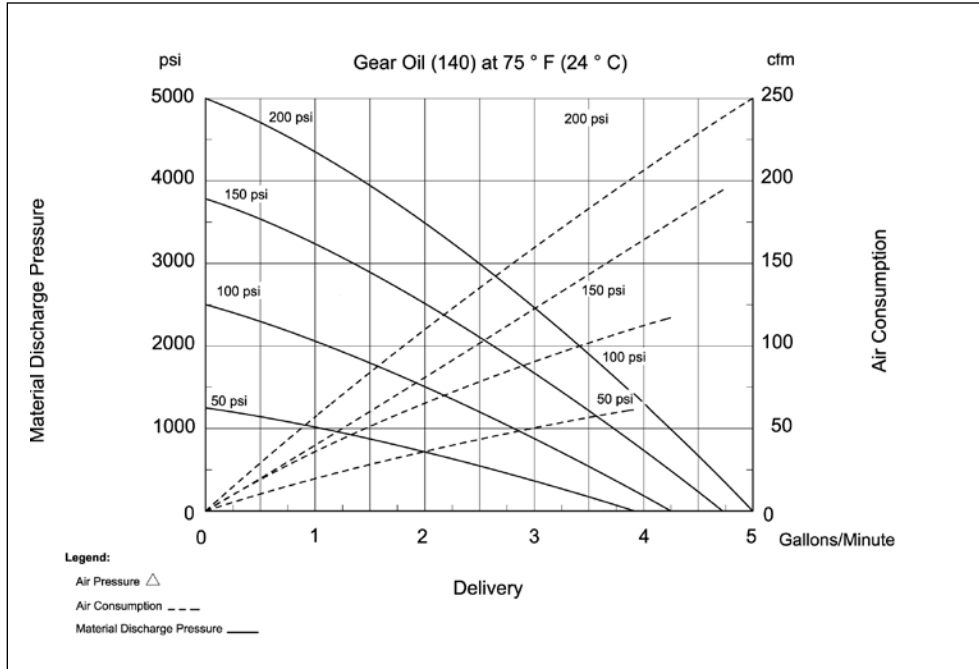




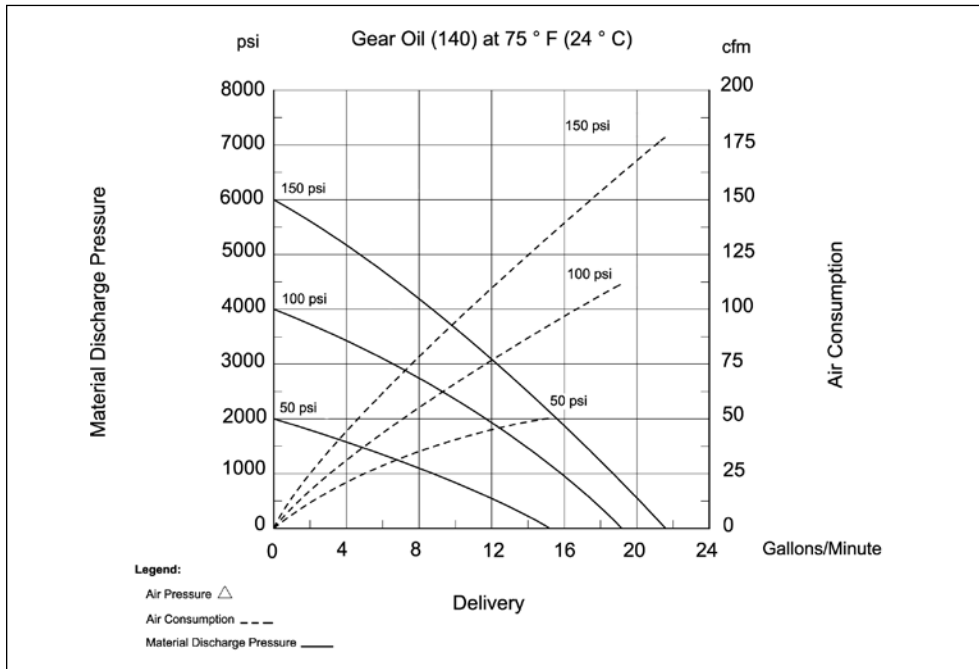
# SECTION FOURTEEN PUMP PERFORMANCE CHARTS

## PUMP PERFORMANCE CURVES

### 7784 series



### 7785 series

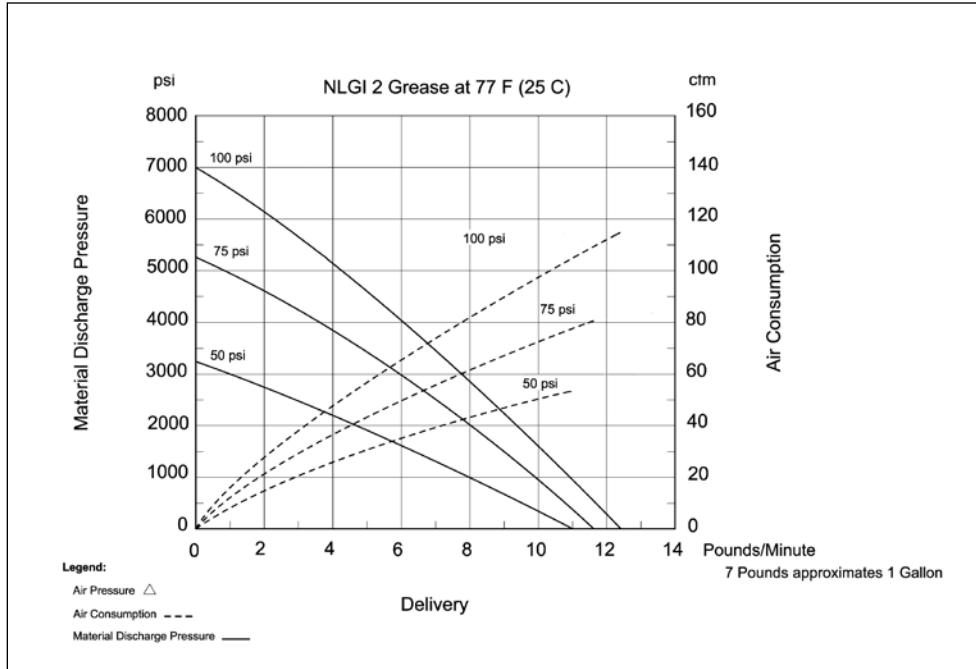




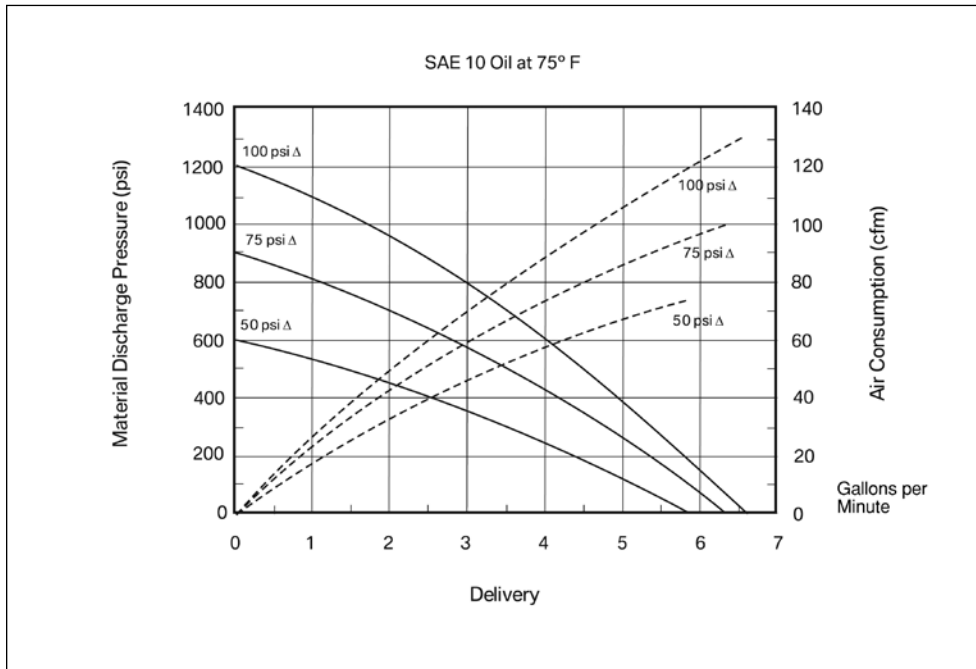
# SECTION FOURTEEN PUMP PERFORMANCE CHARTS

## PUMP PERFORMANCE CURVES

### 7730, 7786 series



### 7793

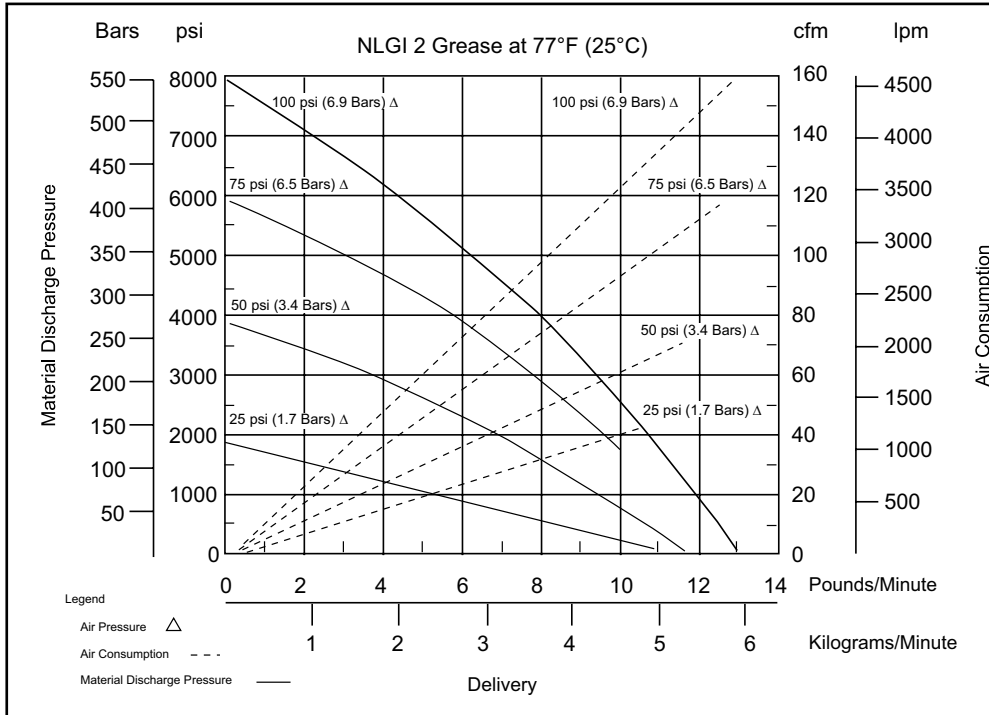




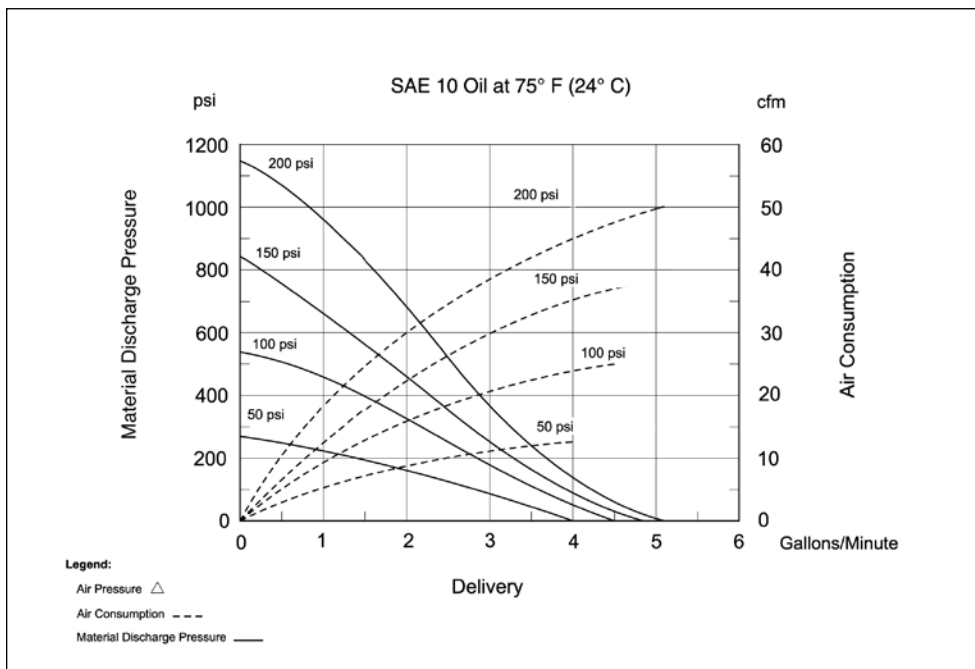
# SECTION FOURTEEN PUMP PERFORMANCE CHARTS

## PUMP PERFORMANCE CURVES

### 7795 series



### 7835 series

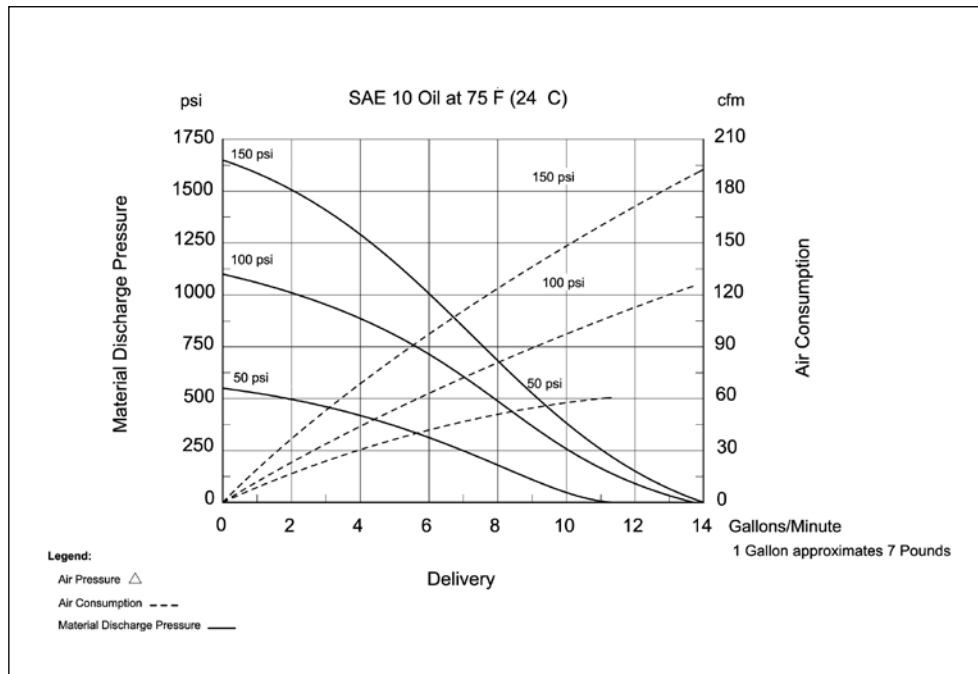




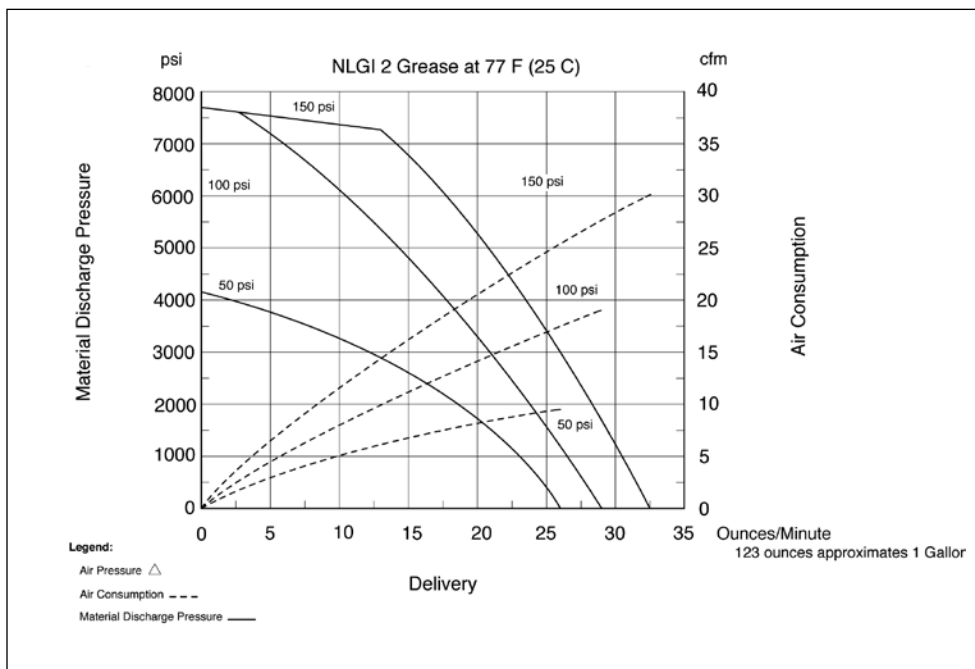
# SECTION FOURTEEN PUMP PERFORMANCE CHARTS

## PUMP PERFORMANCE CURVES

### 7886 series



### 8540, 8541, 8549 series

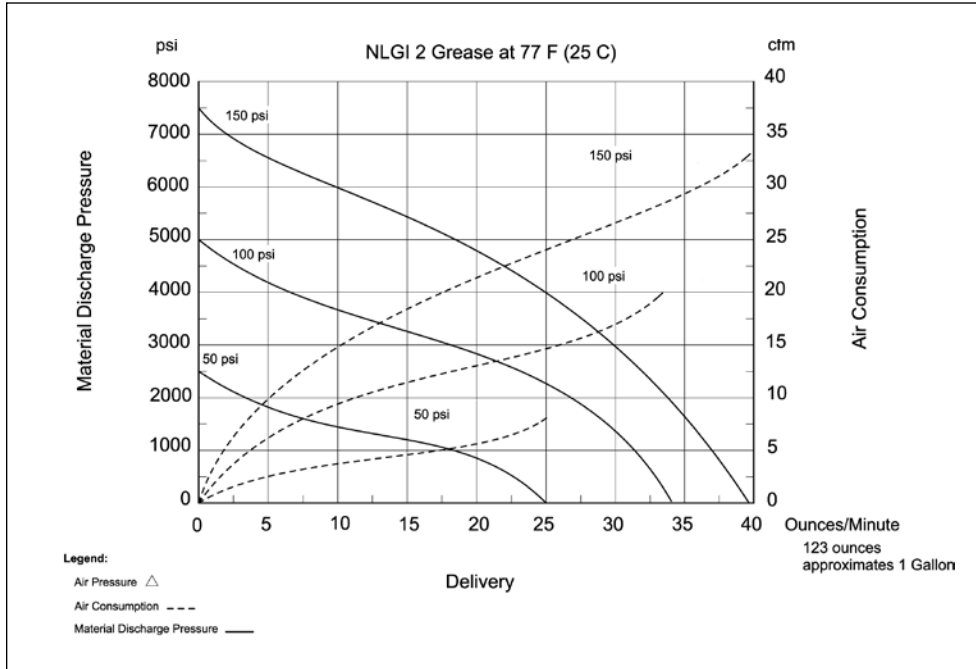




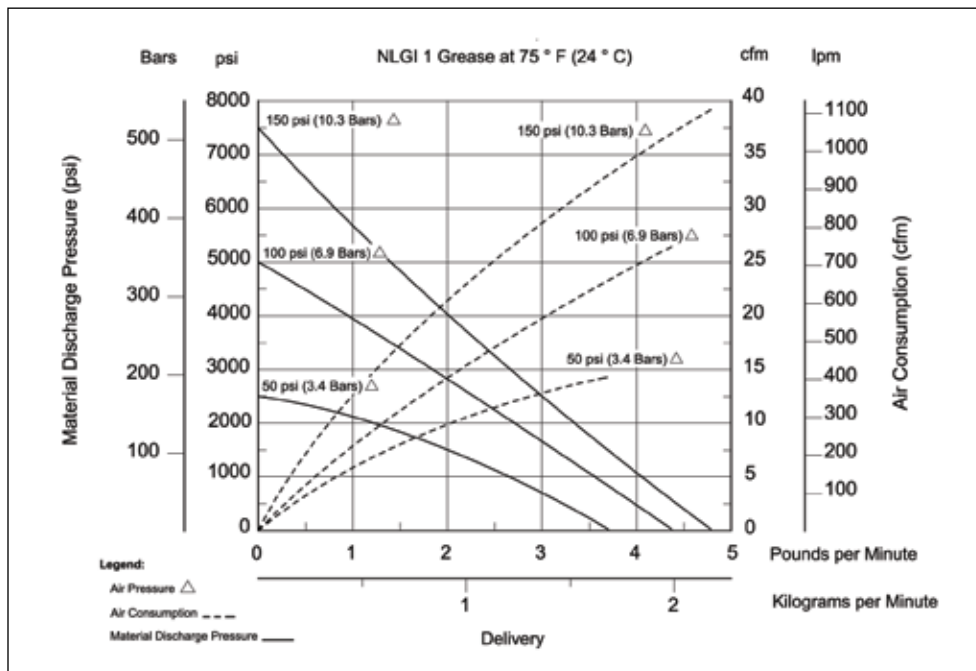
# PUMP PERFORMANCE CHARTS

## PUMP PERFORMANCE CURVES

### 8550, 8559 series



### 9911-1, 9930, 9951-1, 9979

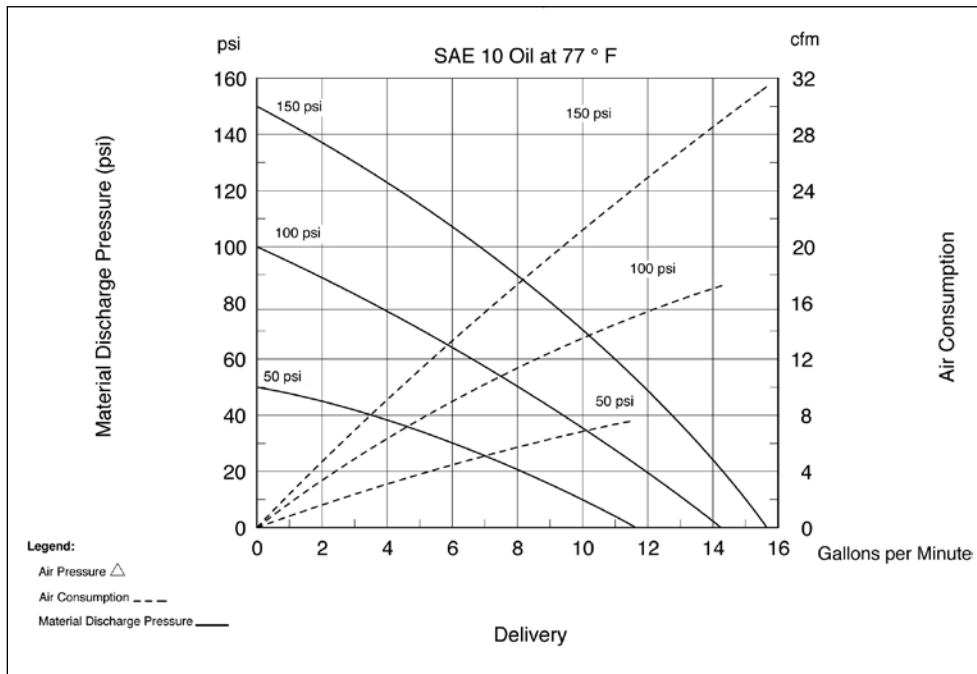




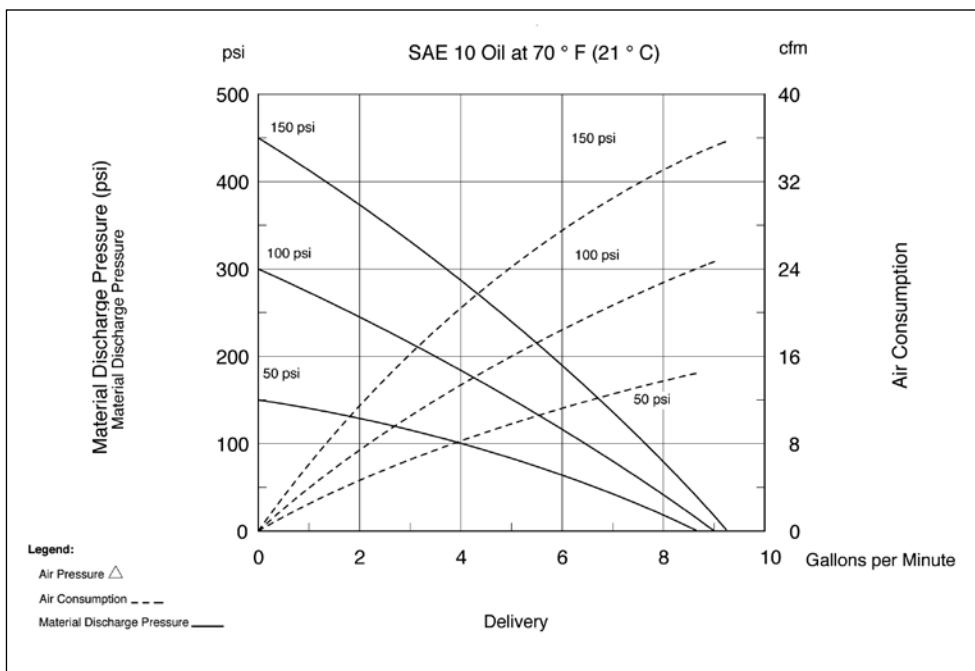
# PUMP PERFORMANCE CHARTS

## PUMP PERFORMANCE CURVES

### 9916-A1



### 9918-A



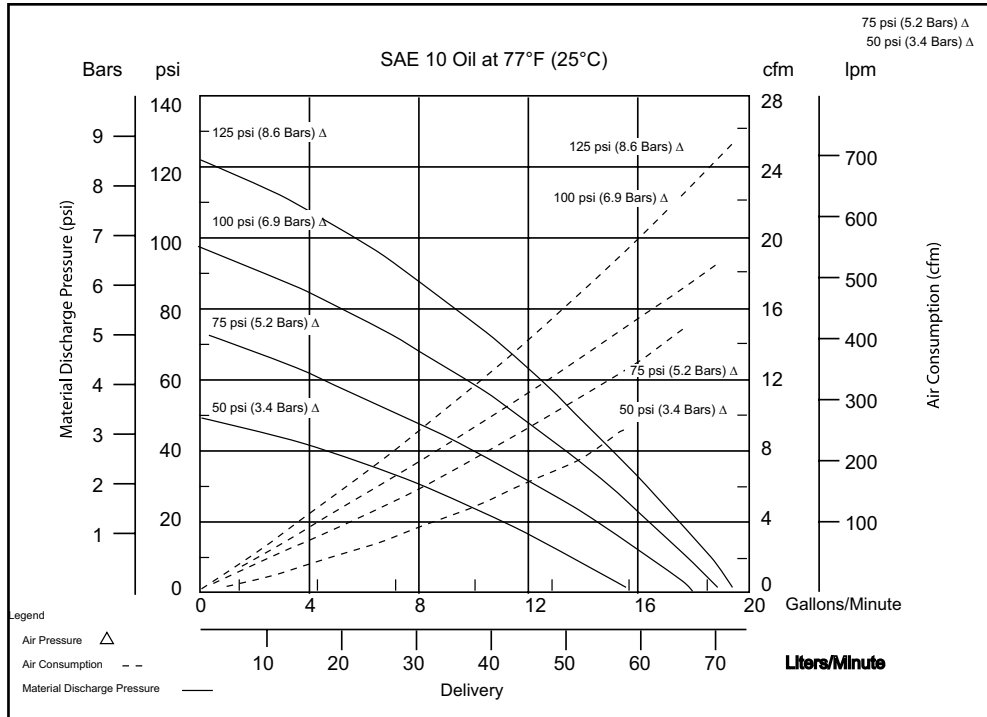




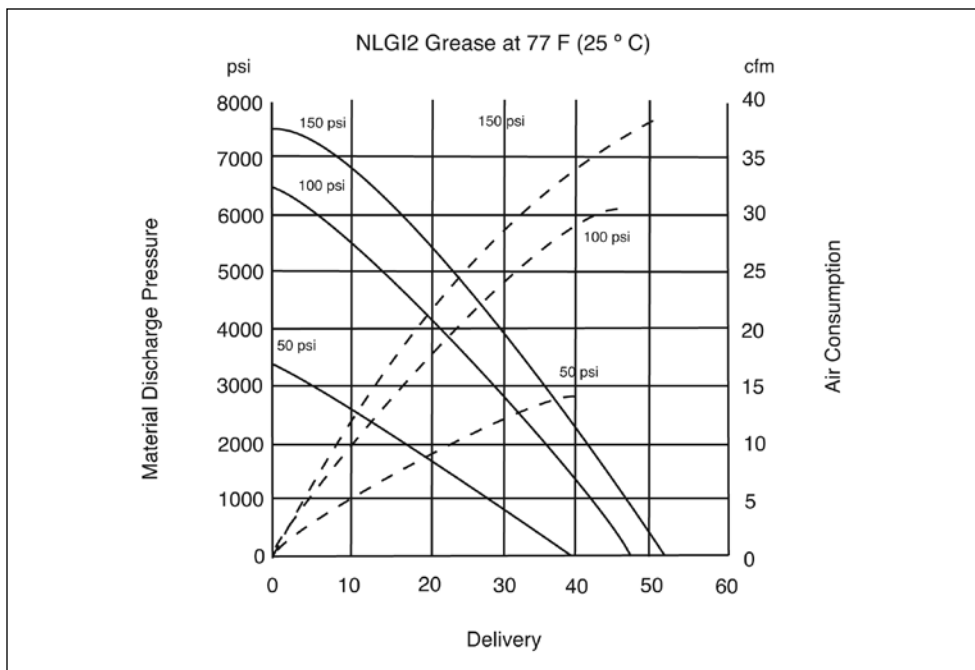
# SECTION FOURTEEN PUMP PERFORMANCE CHARTS

## PUMP PERFORMANCE CURVES

9920



9940, 9941, 9949

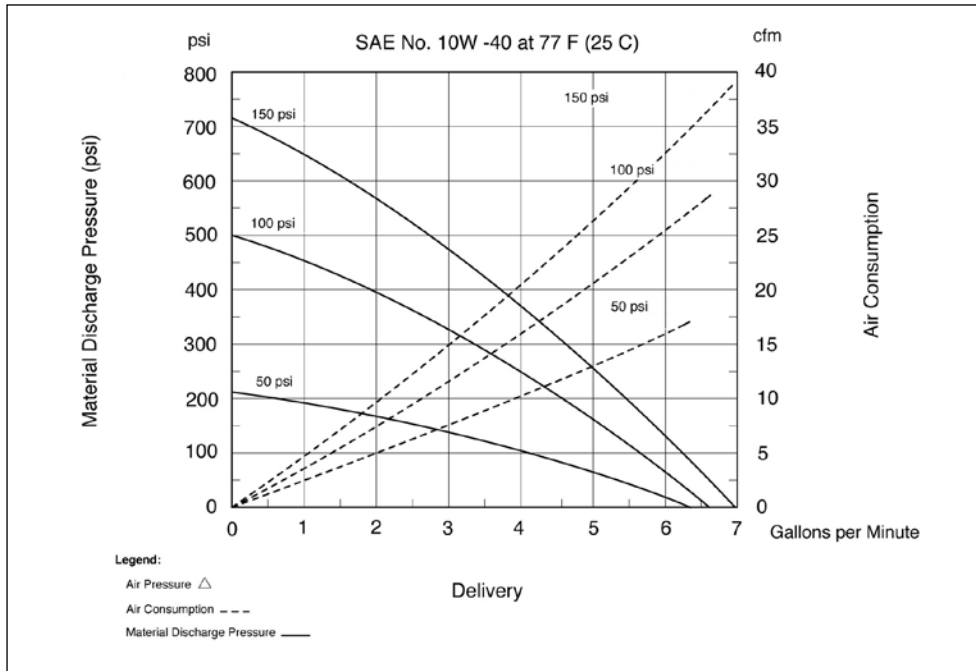




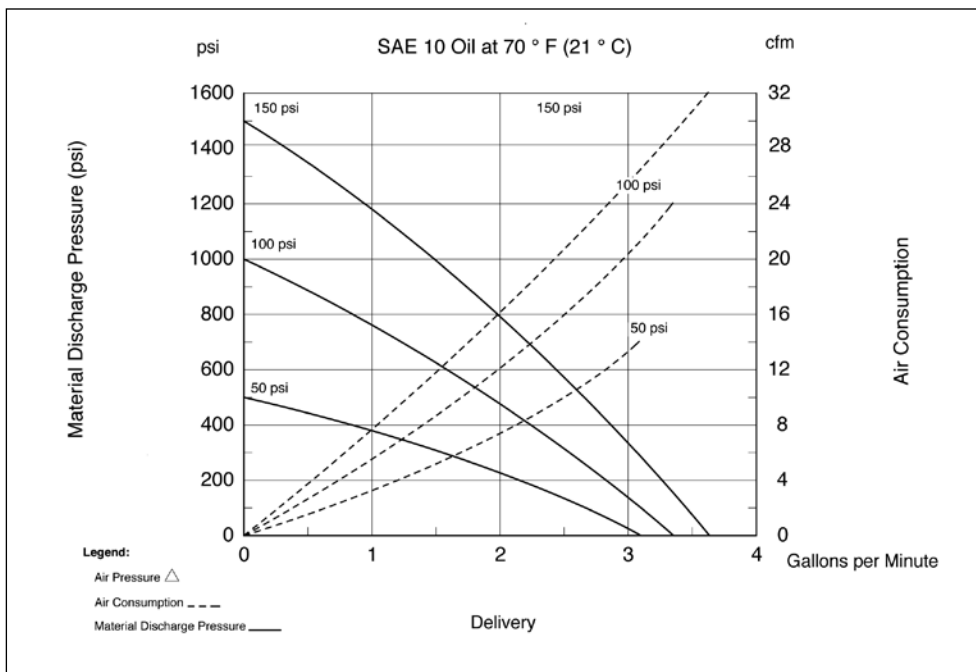
# SECTION FOURTEEN PUMP PERFORMANCE CHARTS

## PUMP PERFORMANCE CURVES

### 9960, 9968, 9969 series



### 9970 series

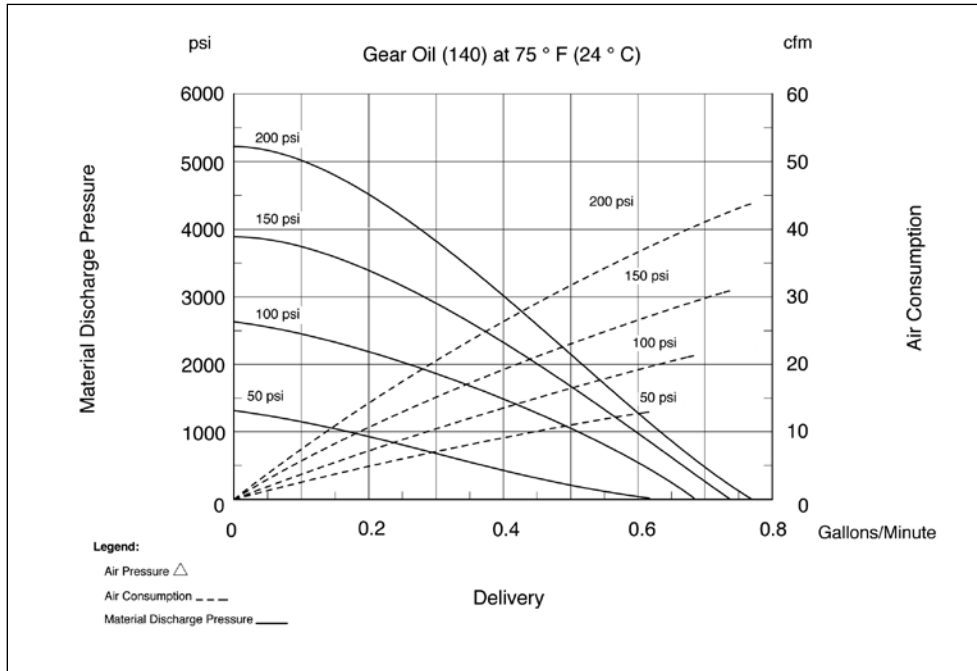




# SECTION FOURTEEN PUMP PERFORMANCE CHARTS

## PUMP PERFORMANCE CURVES

### 331571 series





## MOTOR TUBE CHEMICAL COMBINATIONS

**Motor** ODP/TEFC**Down Tube** PP**Suitable Chemicals**

Acetic acid (10 to 80%)  
Acetic acid, glacial (to 100°F, 38°C)  
Aluminum chloride  
Aluminum fluoride  
Aluminum hydroxide  
Aluminum nitrate  
Aluminum potassium nitrate  
Aluminum sulfate  
Ammonium bifluoride (to 70°F, 21°C)  
Ammonium carbonate  
Ammonium chloride  
Ammonium fluoride (25%)  
Ammonium hydroxide  
Ammonium nitrate  
Ammonium nitrite (to 70°F, 21°C)  
Ammonium oxalate  
Ammonium persulfate  
Ammonium phosphate (monobasic, dibasic, tribasic)  
Ammonium sulfate  
Arsenic acid  
Barium carbonate  
Barium chloride  
Barium hydroxide  
Barium sulfate  
Barium sulfide  
Bismuth carbonate  
Black liquors  
Boric acid  
Bromic acid  
Butyric acid  
Calcium bisulfide  
Calcium bisulfite  
Calcium chlorate  
Calcium chloride  
Calcium hydroxide  
Calcium hypochlorite (to 70°F, 21°C)  
Calcium nitrate  
Calcium sulfate  
Calcium sulfite  
Carbonic acid  
Cellosolve®  
Chromic acid, 10%  
Chromic acid, 50%  
Citric acid  
Citric oils  
Copper chloride  
Copper cyanide  
Copper nitrate  
Ethylene glycol  
Fatty acids  
Ferric chloride  
Ferric nitrate  
Ferric sulfate  
Ferrous chloride  
Ferrous sulfate  
Fluoboric acid  
Fluosilicic acid  
Formaldehyde  
Formic acid  
Gallic acid  
Glycerin  
Hydrobromic acid  
Hydrochloric acid, 20%  
Hydrochloric acid, 37% (cold)  
Hydrofluoric acid, 20%  
Hydrofluosilicic acid, 20%

Hydrogen fluoride  
Iodine<sup>2</sup>  
Lactic acid  
Lead acetate  
Lead sulfamate  
Magnesium carbonate  
Magnesium chloride  
Magnesium hydroxide  
Magnesium sulfate  
Maleic acid  
Mercuric chloride, dilute solution  
Mercuric cyanide  
Milk  
Muriatic acid, 20%  
Muriatic acid, 37% (cold)  
Nickel chloride  
Nickel sulfate  
Nitric acid, 20%  
Nitrobenzene  
Oleic acid  
Oxalic acid  
Phenol (carbolic acid)  
Phosphoric acid, <20%  
Phosphoric acid, 20 to 40%  
Phosphoric acid, 20 to 45%  
Photographic solutions  
Plating solutions, chrome 40  
Plating solutions, copper  
Plating solutions, gold  
Plating solutions, iron  
Plating solutions, lead  
Plating solutions, nickel  
Plating solutions, silver  
Plating solutions, tin  
Plating solutions, zinc  
Potassium bicarbonate  
Potassium bromide  
Potassium carbonate  
Potassium chlorate  
Potassium chloride  
Potassium chromate  
Potassium dichromate  
Potassium hydroxide  
Potassium nitrate  
Potassium permanganate  
Potassium sulfate  
Silicone oil  
Silver nitrate  
Soap solutions  
Sodium bicarbonate  
Sodium bisulfate  
Sodium bisulfite  
Sodium bromide  
Sodium carbonate  
Sodium chlorate, 50%  
Sodium chloride  
Sodium cyanide  
Sodium hydroxide, 20%  
Sodium hydroxide, 50%  
Sodium hydroxide, 80%  
Sodium hypochlorite, <20%  
Sodium nitrate  
Sodium perborate  
Sodium phosphate  
Sodium silicate  
Sodium sulfate  
Sodium sulfide  
Sodium thiosulfate  
Stannic chloride  
Sulfate liquors  
Sulfur

Sulfuric acid, <10%  
Sulfuric acid, 10 to 75%  
Sulfurous acid  
Tannic acid  
Transformer oil

**Motor** XPRF**Down Tube** SS**Suitable Chemicals**

Acetaldehyde  
Acetate solvents  
Acetone  
Acetyl chloride  
Acetylene  
Alcohols  
Ammonia, aqua (10%)  
Ammonia, aqueous  
Ammonia, concentrated  
Amyl acetate  
Amyl chloride  
Barium nitrate  
Butane  
Butyl acetate  
Butylene  
Carbon disulfide  
Cetyl alcohol  
Chlorobenzene  
Copper sulfate  
Cyclohexane  
Cyclohexanol  
Cyclohexanone  
Diethyl ether  
Diisobutylene  
Epichlorohydrin  
Ethanolamine  
Ether  
Ethyl acetate  
Ethyl chloride  
Ethyl ether  
Ethylene chloride  
Ethylene dichloride  
Heptane  
Hexane  
Hydrogen peroxide  
Hydrogen sulfide (cold)  
Hydrogen sulfide (hot)  
Isopropyl ether  
Jet fuel (JP3, JP4, JP5)  
Lacquer solvents  
Ligroin  
Methyl acetone  
Methyl ethyl ketone  
Methyl isobutyl ketone  
Monoethanolamine  
Naphtha  
Naphthalene  
Tartaric acid  
Titanium tetrachloride  
Wood oil  
Xylene

**Motor** ODP/TEFC**Down Tube** PVDF**Suitable Chemicals**

Acetamide (below 75°F, 24°C)  
Acetic acid  
Acetic acid, glacial (to 120°F, 49°C)  
Aluminum chloride  
Aluminum fluoride  
Aluminum hydroxide  
Aluminum nitrate  
Aluminum potassium nitrate  
Aluminum sulfate  
Ammonium bifluoride  
Ammonium carbonate  
Ammonium chloride  
Ammonium fluoride (10-25%)  
Ammonium hydroxide  
Ammonium nitrate  
Ammonium persulfate  
Ammonium phosphate (monobasic, dibasic, tribasic)  
Ammonium sulfate  
Ammonium sulfide (to 120°F, 49°C)  
Ammonium thiocyanate  
Ammonium thiosulfate  
Aniline (to 75°F, 24°C)  
Aniline hydrochloride (to 75°F, 24°C)  
Aqua regia, 80% (to 75°F, 24°C)  
Arsenic acid  
Barium carbonate  
Barium chloride  
Barium hydroxide  
Barium sulfate  
Barium sulfide  
Benzaldehyde (to 75°F, 24°C)  
Benzene sulfonic acid (to 75°F, 24°C)  
Benzoic acid  
Bismuth carbonate  
Black liquors  
Boric acid  
Brine acid  
Bromic acid  
Bromine, liquid (to 150°F, 66°C)  
Bromine water  
Butyric acid  
Calcium bisulfide  
Calcium bisulfite  
Calcium chlorate  
Calcium chloride  
Calcium hydroxide  
Calcium hypochlorite (to 70°F, 21°C)  
Calcium nitrate  
Calcium sulfate  
Carbonic acid  
Carbon tetrachloride  
Cellosolve®  
Chlorine, liquid  
Chlorobenzyl chloride (to 125°F, 52°C)  
Chloroform (to 125°F, 52°C)  
Chromic acid, 10% (to 120°F, 49°C)  
Chromic acid, 50% (to 120°F, 49°C)  
Citric acid



# MOTOR TUBE CHEMICAL COMBINATIONS

## SECTION FIFTEEN

### Motor ODP/TEFC Down Tube PVDF Suitable Chemicals Continued

Copper chloride  
Copper cyanide  
Copper nitrate  
Cresylic acid (to 150°F, 66°C)  
Diesel fuels  
Ethylene glycol  
Fatty acids  
Ferric chloride  
Ferric nitrate  
Ferric sulfate  
Ferrous sulfate  
Fluoboric acid (to 140°F, 60°C)  
Fluosilicic acid  
Formaldehyde (to 120°F, 49°C)  
Formic acid  
Furfural  
Gallic acid (to 75°F, 24°C)  
Gelatin  
Glue, PVA  
Glycerin  
Glycols  
Hydrobromic acid  
Hydrochloric acid, 20%  
Hydrochloric acid, 37% (cold)  
Hydrochloric acid, 37% (hot)  
Hydrofluoric acid, 20%  
Hydrofluoric acid, 50%  
Hydrofluoric acid, 75%  
Hydrofluoric acid, conc. (cold)  
Hydrofluosilicic acid, 20%  
Hypochlorous acid  
Iodine (to 150°F, 66°C)  
Lactic acid (to 120°F, 49°C)  
Lead acetate  
Magnesium carbonate  
Magnesium chloride  
Magnesium hydroxide  
Magnesium sulfate  
Maleic acid  
Mercuric chloride, dilute solution  
Mercuric cyanide  
Methyl chloride  
Milk  
Muriatic acid, 20%  
Muriatic acid, 37% (cold)  
Muriatic acid, 37% (hot)  
Nickel chloride  
Nickel sulfate  
Nitric acid, 20%  
Nitric acid, conc. (to 120°F, 49°C)  
Nitrobenzene (to 75°F, 24°C)  
Oleic acid  
Oxalic acid (to 125°F, 52°C)  
Palmitic acid  
Perchloric acid+C131  
Perchloroethylene  
Petrolatum  
Phenol (carbolic acid)  
Phosphoric acid, <20%  
Phosphoric acid, 20 to 40%  
Phosphoric acid, 20 to 45%  
Plating solutions, chrome 40  
Plating solutions, copper  
Plating solutions, iron  
Plating solutions, lead  
Plating solutions, nickel

Plating solutions, silver  
Plating solutions, tin  
Plating solutions, zinc  
Potassium bicarbonate  
Potassium bromide  
Potassium carbonate  
Potassium chlorate  
Potassium chloride  
Potassium chromate  
Potassium dichromate  
Potassium hydroxide (to 150°F, 66°C)  
Potassium nitrate  
Potassium permanganate  
Potassium sulfate  
Propionic acid C159  
Silicone oil  
Silver nitrate  
Soap solutions  
Sodium bicarbonate  
Sodium bisulfate  
Sodium bisulfite  
Sodium borate  
Sodium bromide  
Sodium carbonate  
Sodium chlorate, 50%  
Sodium chloride  
Sodium cyanide  
Sodium hydroxide, 20%  
Sodium nitrate  
Sodium phosphate  
Sodium silicate  
Sodium sulfate  
Sodium sulfide  
Sodium thiosulfate  
Stannic chloride  
Stearic acid  
Sulfur  
Sulfur chloride (to 75°F, 24°C)  
Sulfur dioxide  
Sulfuric acid, <10%  
Sulfuric acid, 10 to 75%  
Sulfuric acid, 66° Baume  
(to 120°F, 49°C)  
Sulfurous acid  
Tannic acid  
Trichloroacetic acid (to 75°F, 24°C)  
Trichloroethylene  
Triethylamine (to 125°F, 52°C)  
Zinc hydrosulfite

### Motor ODP/TEFC Down Tube SS Suitable Chemicals

Acetamide (above 75°F, 24°C)  
Acetic anhydride  
Amines  
Ammonium bifluoride  
Ammonium carbonate  
Ammonium hydroxide  
Ammonium nitrate  
Ammonium oxalate  
Ammonium persulfate  
Ammonium phosphate (monobasic, dibasic, tribasic)  
Ammonium sulfate

Ammonium thiosulfate  
Aniline  
Aniline dyes  
Anisole  
Arsenic acid  
Barium carbonate  
Barium chloride  
Barium hydroxide  
Barium sulfate  
Barium sulfide  
Benzaldehyde  
Benzene  
Benzol  
Benzene sulfonic acid\*  
Benzoic acid  
Boric acid  
Bromine water  
Butyric acid  
Calcium bisulfide  
Calcium bisulfite  
Calcium chlorate  
Calcium chloride  
Calcium hydroxide  
Calcium hypochlorite  
Calcium nitrate  
Calcium sulfate  
Calcium sulfite  
Carbonic acid  
Carbon tetrachloride  
Cellosolve®  
Chloroform  
Chromic acid, 10%  
Chromic acid, 50%\*  
Citric acid  
Citric oils  
Copper cyanide  
Copper nitrate  
Cresylic acid  
Diacetone alcohol  
Diesel fuels  
Dimethyl formamide  
Diocetyl phthalate  
Dyes  
Ethylene glycol  
Fatty acids  
Ferric chloride  
Ferric nitrate  
Ferric sulfate  
Ferrous sulfate  
Fluoboric acid  
Formaldehyde  
Formic acid  
Furfural  
Gallic acid  
Gelatin  
Glue, PVA  
Glycerin  
Glycols  
Hydrogen fluoride  
Lactic acid  
Lead acetate  
Magnesium carbonate  
Magnesium chloride  
Magnesium hydroxide  
Magnesium sulfate  
Maleic acid  
Mercuric cyanide  
Methyl chloride  
Methylene chloride  
Milk  
Muriatic acid, 20%  
Muriatic acid, 37% (cold)  
Nickel chloride

Nickel sulfate  
Nitric acid, 20%  
Nitric acid, red fuming  
Nitrobenzene  
Oleic acid  
Oleum  
Oxalic acid  
Palmitic acid  
Perchloroethylene  
Petrolatum  
Phenol (carbolic acid)  
Phosphoric acid, <20%  
Phosphoric acid, 20 to 40%  
Phosphoric acid, 20 to 45%  
Phosphorus, red  
Phosphorus, yellow  
Photographic solutions  
Plating solutions, chrome 40  
Plating solutions, copper  
Plating solutions, gold  
Plating solutions, iron  
Plating solutions, silver  
Plating solutions, tin  
Plating solutions, zinc  
Potassium bicarbonate  
Potassium bromide  
Potassium carbonate  
Potassium chlorate  
Potassium chloride  
Potassium chromate  
Potassium dichromate  
Potassium hydroxide  
Potassium nitrate  
Potassium permanganate  
Potassium sulfate  
Propionic acid  
Silicone oil  
Silver nitrate  
Soap solutions  
Sodium acetate  
Sodium bicarbonate  
Sodium bisulfate  
Sodium bisulfite  
Sodium borate  
Sodium bromide  
Sodium carbonate  
Sodium chlorate, 50%  
Sodium chloride  
Sodium cyanide  
Sodium hydroxide, 20%  
Sodium hydroxide, 50%  
Sodium metaphosphate  
Sodium nitrate  
Sodium phosphate\*  
Sodium silicate  
Sodium sulfate  
Sodium sulfide  
Sodium thiosulfate  
Stearic acid  
Sulfur  
Sulfur dioxide  
Sulfuric acid, <10%  
Sulfuric acid, 10 to 75%  
Sulfuric acid, 66° Baume  
Sulfurous acid  
Tannic acid  
Tetrahydrofuran  
Tetralin  
Toluene  
Transformer oil  
Trichloroethylene  
Tricresyl phosphate  
Zinc hydrosulfite



500.....	8	1634-B.....	94	1952-A.....	86	3670-BL.....	68
500-E.....	8	1637-BI.....	77	1958.....	79	3671.....	68
500-L.....	8	1638-B.....	79	1961-B.....	84	3671-A.....	68
555.....	9	1641-B.....	77	1961-S.....	85	3671-B.....	68
555-E.....	9	1644-B.....	79	1962-B.....	84	3671-BL.....	68
575-AI.....	6	1646-BI.....	87	1966-B.....	84	3672.....	68
575-BI.....	6	1648-BI.....	98	1966-S.....	85	3672-B.....	68
575-CI.....	6	1649-B.....	79	1968-S.....	85	3672-BL.....	68
575-DI.....	6	1650.....	94	1969-B.....	84	3673.....	68
585-AI.....	6	1652-B.....	77	1969-S.....	85	3673-L.....	68
585-BI.....	6, 140	1666.....	86	1992-BI.....	87	3674-C.....	68
585-CI.....	6	1669-B.....	79	2103.....	88	3674-CL.....	68
585-DI.....	6	1675-B.....	99	2105.....	88	3679.....	68
585-EI.....	6	1680-B.....	77	2106.....	88	3685-A.....	71
585-FI.....	6	1684-B.....	79	2107.....	88	3685-B.....	71
1000-44.....	104, 140	1688-B.....	79	2108.....	88	3685-F.....	71
1000-46.....	104	1692.....	94	2109.....	88	3685-G.....	71
1000-64.....	104	1693.....	94	2364-I.....	101	3685-M.....	71
1000-66.....	104	1698-B.....	77	2365-I.....	101	3686-B.....	71
1000-88.....	104	1711-B.....	98	2371.....	102	3690-C.....	71
1000-812.....	104	1720-B.....	82	2398-I.....	101	3691-C.....	71
1000-1212.....	104	1723-B.....	82	2741-4.....	45	3692-C.....	71
1000-1612.....	104	1724-B.....	82	2742-4.....	45	3693-C.....	71
1000-1616.....	104	1728-B.....	86	3005.....	86	3696-C.....	71
1001-44.....	105	1728-S.....	85	3006.....	86	3705-C.....	128
1001-66.....	105	1736-A.....	86	3009.....	86	3706-C.....	128
1001-86.....	105	1743-B.....	86	3010-BI.....	77	3707-C.....	128
1001-88.....	105	1744-BI.....	87	3014-B.....	77	3720-A6.....	129
1012-88.....	104	1745-20GROO1.....	143	3016.....	98	3720-B6.....	129
1056-LE4.....	10	1746-15I.....	144	3018.....	98	3721-A6.....	129
1056-S4.....	10	1746-15IX.....	144	3019.....	86	3721-B6.....	129
1056-SE4.....	10	1770-BI.....	78	3036.....	93	3722-A6.....	129
1452.....	92	1792-B.....	78	3038-B.....	82	3722-B6.....	129
1480.....	105	1795-B.....	100	3053-B.....	82	3725-A6.....	129
1606-B.....	79	1814.....	93	3054-B.....	82	3726-A6.....	129
1607-B.....	79	1815.....	92	3530.....	7, 70	3726-B6.....	129
1608-B.....	86	1820-I.....	90	3530-A.....	70	3730-BW6.....	129
1610-BL.....	79	1822-AI.....	90	3530-B.....	70	3730-RW6.....	129
1611-B.....	79	1823-I.....	90	3530-C.....	70	3731-BW6.....	129
1612-B.....	79	1851.....	92	3570-A.....	72	3731-RW6.....	129
1613-B.....	79	1877.....	93	3570-B.....	72	3732-BW6.....	129
1618-B.....	79	1885.....	93	3571-A.....	72	3732-RW6.....	129
1620-B.....	79	1911-BI.....	77	3571-B.....	72	3736-BW6.....	129
1623-B.....	79	1921-B.....	84	3579.....	72	3736-RW6.....	129
1627-B.....	81	1921-S.....	85	3640-2.....	69	3922-A.....	127
1629-B.....	81	1922-B.....	84	3641-2.....	69	3922-AC.....	127
1630-BI.....	87	1922-S.....	85	3643-2.....	69	3922-B.....	127
1631-B.....	98	1923-B.....	84	3644-C2.....	69	3922-BC.....	127
1633.....	86	1923-S.....	85	3670.....	68	3922-BD.....	127
1634.....	94	1940-B.....	100	3670-B.....	68	3942-BC.....	128



3942-BD.....	128	6617-G.....	46	7346.....	56	7886-A5.....	38
3942-CB.....	128	6617-K.....	46	7350.....	60	7886-S5.....	38
3942-CC.....	128	6638-B.....	16	7370.....	54	7936.....	123
3942-DD.....	128	6654-A.....	17	7371.....	53	8051-I.....	60
3943-B.....	128	6679-J3.....	11	7372.....	54	8071-A.....	59
3943-BC.....	128	6679-J3E.....	11	7373.....	54	8071-B.....	59
3943-BD.....	128	6703-B.....	17	7492.....	74	8071-D.....	59
3943-CB.....	128	6704-A.....	17	7498.....	74	8078-A.....	50
3943-CC.....	128	6704-B.....	17	7498-A.....	74	8078-B.....	50
3943-DD.....	128	6709-A4.....	42	7498-C.....	74	8078-C.....	49
4015-A4.....	9	6709-B4.....	42	7504.....	123	8078-D.....	49
4015-B4.....	9	6713-4.....	32	7506.....	123	8078-E.....	50
4035.....	14	6777-5.....	150	7508.....	123	8078-F.....	50
4221.....	139	6778.....	18	7531-4.....	32, 140	8078-G.....	51
4221-S.....	139	6796.....	35	7531-A4.....	32	8078-H.....	51
4251.....	139	6799.....	36	7533-4.....	34	8078-J.....	52
4251-S.....	139	7089.....	17	7534-4.....	34	8078-K.....	52
4261.....	139	7117-I.....	34	7535-4.....	34	8078-M.....	50
4261-S.....	139	7118-I.....	33	7537-4.....	33	8078-N.....	51
5253-1.....	86	7149-4.....	32	7538-4.....	33	8078-P.....	51
5253-3.....	86	7149-A4.....	32	7539-4.....	33	8078-R.....	52
5253.....	86	7149-E4.....	32	7584.....	14	8078-T.....	50
5254-1.....	87	7149-T.....	32	7584-F.....	14	8079-A.....	57
5604-2.....	124	7175-R4.....	29	7584-Z.....	14	8079-B.....	57
5606-2.....	124	7181-4.....	32	7604-I.....	122	8079-C.....	57
5608-2.....	124	7181-K.....	32	7604-B.....	122	8079-D.....	57
5612-2.....	124	7216-4.....	37	7606-I.....	122	8079-E.....	58
5616-2.....	124	7216-A4.....	37	7606-B.....	122	8079-F.....	58
5644-1.....	124	7216-B.....	37	7608-I.....	122	8080-A.....	55
5904-2.....	124	7216-S3.....	37	7608-B.....	122	8080-B.....	55
5906-2.....	124	7222-B4.....	37	7612-B.....	122	8080-C.....	56
5908-2.....	124	7260.....	60	7616-B.....	122	8080-D.....	56
5912-2.....	124	7261.....	60	7624-A.....	122	8080-E.....	56
5916-2.....	124	7331.....	58	7730.....	28	8080-F.....	56
6135.....	103	7334-B.....	50	7736.....	28	8080-G.....	56
6136.....	103	7334-C.....	51	7783-A4.....	23	8080-H.....	55
6243-J3.....	11	7334-D.....	57	7783-C4.....	23	8080-J.....	56
6243-J3E.....	11	7335-B.....	49	7784-A4.....	28	8081-A.....	54
6248-1.....	18	7335-C.....	51	7785-A5.....	28	8081-B.....	54
6268-2.....	12	7335-D.....	57	7785-B5.....	28	8081-C.....	53
6279.....	16	7336-B.....	50	7786-A5.....	28	8081-D.....	53
6304-B.....	106	7336-C.....	52	7786-C.....	28	8081-E.....	54
6304-C.....	106	7336-D.....	58	7793-A1.....	23	8081-F.....	54
6320-3.....	73	7337-C.....	52	7793-C.....	23	8081-G.....	54
6438.....	73	7338-B.....	59	7795-A5.....	28	8081-J.....	54
6509-D.....	106	7338-C.....	59	7795-B5.....	28	8081-K.....	54
6509-E.....	106	7340.....	55	7818-F5.....	45	8301.....	40
6598-B.....	42	7341.....	55	7835-SDTRI.....	38	8322.....	40
6615-G.....	46	7342.....	56	7836-C1.....	74	8322-A.....	40
6616-G.....	46	7345.....	56	7880-C1.....	37	8322-B.....	40



8322-C.....	40	9951-T1.....	25	131586.....	106	317869-50.....	63
8322-D.....	40	9960.....	21	170008.....	105	317870-50.....	62
8323.....	40	9960-A (1) (2).....	21	300805.....	96	317870-70.....	62
8324.....	40	9961-I.....	22	301198.....	104	317870-80.....	62
8325.....	40	9968.....	21	304300.....	107	317874-30.....	62
8327.....	40	9968-A.....	21	304300-A.....	107	317874-50.....	62
8329.....	40	9969-B (2).....	21	304301.....	107	317875-7.....	62
8340.....	40	9970.....	21	304810.....	96	317875-10.....	62
8540-A1.....	26	9979.....	24	305859.....	104	317875-14.....	62
8540-B.....	26	9979-A.....	24	306722.....	108, 140	317875-20.....	62
8541-5.....	27	17831.....	105	307111.....	125	317875-25.....	62
8549-B1.....	26	40996.....	106	307112.....	125	317875-30.....	62
8549-C.....	26	41729.....	104	307115.....	125	317875-40.....	62
8550-A1.....	26	42030.....	107	307116.....	125	317875-50.....	62
8553-2.....	27, 39	42030-A.....	107	307925.....	104	317875-1F.....	62
8559-B.....	26	42031-A.....	107	308730.....	7, 106	317876-5.....	62
8568-A4.....	22	42159.....	104	308730-A.....	106	317878-50.....	62
8570-5.....	34	43379.....	104	310912.....	105	317882-7.....	62
8571-5.....	34	43570-A2.....	146	313650.....	97	318040-4.....	43
8700-A.....	30	43706.....	108, 140	314150.....	107	319702.....	107
8700-A1.....	30	43716.....	108, 140	314898.....	43	320353.....	106
8700-B.....	30	43718.....	108	316315-5.....	149	320354.....	106
8700-B1.....	30	43748.....	108, 140	317400.....	91	320356.....	106
8700-C.....	30	43760.....	104	317400-E.....	83	321340.....	149
8700-C1.....	30	43761.....	103	317803-3.....	63	321620.....	97
8702-A.....	30	43762.....	103	317803-7.....	63	321839.....	91
8702-A1.....	30	44701.....	108	317803-25.....	63	322120.....	106
8702-B.....	30	44734.....	104	317803-30.....	63	322434.....	46
8702-B1.....	30	45120.....	106	317803-40.....	63	323060.....	91
8702-C.....	30	47100.....	91	317803-50.....	63	323449-4.....	123
8702-C1.....	30	47100-E.....	83	317807-5F.....	63	323800-4.....	42
9911-A1*.....	25	47200.....	91	317809-5F.....	63	323847-4.....	42
9911-C1.....	25	47200-E.....	83	317811-5.....	63	324792-4.....	42
9911-H1.....	25	47640.....	91	317811-15.....	63	324793-4.....	42
9911-HB1.....	25	47703.....	104	317811-50.....	63	324831.....	149
9911-HC1.....	25	50491.....	107	317811-80.....	63	324970.....	96
9911-J.....	25	50500.....	91	317813-2.....	62	325540-1.....	12
9911-Z1.....	25	50610.....	104	317813-5.....	62	325540-2.....	12
9916-A1.....	21	51185.....	107	317813-7.....	62	325749.....	46
9918-A.....	21	51642.....	106	317813-12.....	62	326314.....	92
9930.....	24	51888.....	104	317813-15.....	62	326370-1.....	131
9940.....	24	51891.....	106	317813-25.....	62	326370-2.....	131
9941.....	25	51942.....	104	317813-50.....	62	326370-3.....	131
9949.....	24	51943.....	105	317813-5F.....	62	326370-4.....	131
9950-I.....	24	52797.....	104	317850-2.....	16	326370-5.....	131
9950-A1.....	24	54269.....	16	317850-3.....	16	326370-6.....	131
9950-C1.....	24	54730.....	61	317850-1F.....	16	326370-7.....	131
9950-D1.....	24	54732.....	61	317853-5.....	46	326370-8.....	131
9951-I.....	25	130552.....	104	317854.....	46	326370-9.....	131
9951-S1.....	25	131000-T.....	96	317854-5F.....	46	326370-10.....	131





326432.....	44	338862.....	122	339602.....	147	340338.....	7
326463-B1.....	44	338911.....	43	339603.....	147	340341.....	150
326750.....	44	338912.....	43	339630-RD.....	105	340369.....	140
326750-B1.....	44	338923.....	43	339630-WH.....	105	340376.....	116
326750-E1.....	44	338958.....	150	339672-1.....	116	340558.....	30
327033.....	104	338977.....	43	339683.....	44	340911.....	7
327240.....	96	338978.....	116	339684-15.....	62	340912.....	7
328030.....	125	338981.....	42	339684-18.....	62	340913.....	7
328031.....	125	338982.....	42	339705.....	140	340914.....	7
328032.....	125	338983.....	42	339706.....	140	340915.....	7
328033.....	125	338984.....	42	339707.....	140	340916.....	7
328034.....	125	338991.....	43	339724.....	140	340989.....	30
328036.....	125	338992.....	43	339734-025.....	141	340992.....	30
328037.....	125	338993.....	43	339734-050.....	141	340993.....	30
328190-B4.....	46	339000-PC.....	115	339734-075.....	141	340994.....	30
328207.....	106	339001-1.....	115	339734-100.....	141	340997.....	30
328224.....	105	339003-1.....	116	339738.....	140	340998.....	30
328303-42.....	103	339004-2.....	116	339760.....	140	340999.....	30
328435.....	105	339005.....	116	339762-50.....	140	343000-1.....	114
330766.....	96	339006.....	116	339762-150.....	140	343000.....	114
331378-E1.....	26	339007.....	116	339763.....	140	343025.....	116
331378-F1.....	26	339010.....	116	339764.....	140	343027.....	116
331378-H1.....	26	339012.....	116	339765.....	140	343030-25.....	116
331380-E1.....	26	339084.....	75	339768-100.....	141	343030-50.....	116
331380-M1.....	26	339100.....	74	339768-200.....	141	343030-100.....	116
331571-A5.....	39, 135, 137	339276.....	116	339768-300.....	141	343030-250.....	116
331571-B5.....	135, 137	339277-1.....	116	339768-400.....	141	343030-500.....	116
331571-C5.....	39, 135, 137	339277-2.....	116	339777.....	140	369518.....	97
332912.....	61	339318.....	116	339781.....	140	369528.....	97
334850.....	149	339359-A1.....	135	339782.....	140	369533.....	95
336551.....	103	339359-C1.....	135	339783.....	140	369568.....	97
336575-B1.....	149	339368.....	58	339784.....	140	369574.....	79
336842.....	104	339371.....	58	339812.....	7, 140	369577.....	86
336843.....	104	339389-1.....	61	339813.....	140	369582.....	82
336899.....	149	339389-2.....	61	339841.....	108	369586.....	108
337437.....	61	339389.....	61	339948.....	123	369591.....	86
337665.....	43	339538.....	61	339981.....	140	369593.....	91
338145.....	42	339539-50.....	63	339982.....	140	369594.....	108
338163.....	42	339588.....	147	339983.....	140	369599.....	79
338166.....	42	339589.....	147	339984.....	140	369604.....	86
338315.....	116	339590.....	147	340004.....	108	369608.....	79
338371.....	42	339591.....	147	340011.....	41	369609.....	78
338382.....	91	339592.....	147	340012.....	41	369616.....	98
338552.....	106	339593.....	147	340057.....	7	380372-A1.....	44
338801.....	43	339594.....	147	340067.....	7	380372-B1.....	44
338802.....	43	339596.....	147	340080.....	116	380791-2.....	129
338803.....	43	339597.....	147	340084.....	75	380791-4.....	129
338804.....	43	339598.....	147	340090.....	138	380791-6.....	129
338825.....	43	339599.....	147	340098.....	134, 138	380791-10.....	129
338860.....	122	339600.....	147	340176.....	137	380791-16.....	129



381281-1.....	130	384280-8.....	131	715030.....	137	B2103.....	101
381281-2.....	130	384280-9.....	131	715040.....	137	B2105.....	101
381281-3.....	130	384280-10.....	131	715050.....	137	B2106.....	101
381281-4.....	130	385787.....	133	715060.....	137	B2108.....	101
381281-5.....	130	385789.....	133	715070.....	137	B2109.....	101
381281-06.....	130	387275.....	133	715080.....	137	B315790.....	108
381282-1.....	130	387386.....	133	715090.....	137	B315791.....	108
381282-2.....	130	387388.....	133	715100.....	137	B317850-1.....	16
381282-3.....	130	387390.....	147	715180.....	137	B321320.....	61
381282-4.....	130	387391.....	147	715185.....	137	B328030.....	125
381282-5.....	130	387449.....	133, 138	715501-A1.....	134	B330070.....	106
381283-1.....	130	387449-1.....	133, 138	715501-A2.....	134	B330604.....	125
381283-2.....	130	387449-2.....	134, 138	715501-A3.....	134	B330605.....	125
381283-3.....	130	387449-3.....	134, 138	715501-A4.....	134	B331107.....	61
381283-5.....	130	387780.....	134	715501-A5.....	134	B336770.....	18
381283-8.....	130	387782.....	137	715501-A6.....	134	B337595-A1.....	16
381288-1.....	130	387784.....	137	715501-KM.....	134	B337595-B1.....	16
381288-2.....	130	387785.....	137	715501-KS.....	134	B339800.....	75
381288-3.....	130	387786.....	137	715518.....	137	B411.....	18
381288-5.....	130	387787.....	137	715576.....	138	B412.....	42
381288-8.....	130	393750.....	140	715577.....	138	B52750.....	61
381290-2.....	129	710150.....	138	715579.....	138	B52751.....	61
381290-4.....	129	710200.....	138	715584.....	138	B52752.....	61
381290-6.....	129	710300.....	138	715599.....	134	B6238.....	18
381290-10.....	129	712051.....	136	369583*.....	97	B6239.....	18
381290-16.....	129	712052.....	136	9920 (2).....	21	B6278.....	18
381301-8.....	130	712101.....	136	A112.....	106	B6638.....	16
381303-4.....	129	712102.....	136	A113.....	106	B6638-A.....	16
381303-6.....	129	712151.....	136	A1184.....	89	B6652-A.....	17
381303-10.....	129	712152.....	136	A1186.....	89	B6703-A.....	17
381303-16.....	129	712201.....	136	A1188.....	89	B6783.....	18
382600.....	134	712202.....	136	A1190.....	89	C600.....	13
383588-1.....	131	712203.....	136	A336.....	99	C69.....	89
383588-2.....	131	712204.....	136	A359.....	99	F100.....	13
383588-3.....	131	712251.....	136	B154.....	106	F101.....	15
383588-4.....	131	712252.....	136	B1610-BL.....	101	F103.....	15
383588-5.....	131	712253.....	136	B1611-B.....	101	F104.....	15
383588-6.....	131	712254.....	136	B1613-B.....	101	F105.....	13
383588-7.....	131	712301.....	136	B1627-B.....	101	F106.....	15
383617-10.....	131	712302.....	136	B1629-B.....	101	F401.....	35
383617-11.....	131	712303.....	136	B1637-B1.....	101	F406.....	35
383617-12.....	131	712304.....	136	B1641-B.....	101	M1184.....	89
383617-14.....	131	712351.....	136	B1688-B.....	101	M336.....	99
383647-1.....	133	712352.....	136	B1741-A.....	145	VB942.....	107
383808-A4.....	132	712353.....	136	B1911-B1.....	101	Z737.....	107
384280-1.....	131	712354.....	136	B200.....	18	Z741-A.....	92
384280-2.....	131	712401.....	136	B201.....	18		
384280-4.....	131	712402.....	136	B202.....	18		
384280-5.....	131	712403.....	136	B203.....	18		
384280-6.....	131	712404.....	136	B205.....	18		





**Corporate Headquarters:**

1057 521 Corporate Center Drive  
Suite 100

Fort Mill, SC 29707

Toll Free U.S.: 866-4-Alemite

Toll Free Canada: 800-267-8022

International: 803-802-0001

Fax U.S.: 800-648-3917

Fax Canada: 800-267-2880

Fax International: 803-802-0192

**[www.alemite.com](http://www.alemite.com)**