

# Electronic Preset Counter with 1 or 2 Presets



## NE131



### Features

Models	LCD-preset counter with 1 or 2 presets Totalizer, 6-digit
Connection	Switch contact for voltage impulses 12...260 VAC/VDC One-channel, digital sensors
Functions	Actual value and preset value are displayed at the same time Scaling factor programmable 0.0001...9999.9 Keylock input for keypad (with two presets)

### Order designation

Order no.	Preset
1	With one preset
2	With two presets
Supply voltage	
2	85...265 VAC
3	10...30 VAC/VDC

NE131.0   AX01

### Mechanical data

Display	LCD-display with 2 rows of digits Display backlighting 6-digit real value, 7 mm high 6-digit preset value, 4 mm high Programmable decimal point Display suppression of preceding zeroes Measurement units can be progr. in m, dm, cm, mm, l, h, min, s
Operation, keypad	Front membrane with short-stroke keys
Front dimensions	DIN housing 48 x 48 mm
Mounting	Front panel with clip frame
Weight	Approx. 140 g
Connection	Plug-in screw terminals Grid 5.08 mm
Core cross-section	Max. 1.5 mm <sup>2</sup>
Housing material	Macrolon 6485 (PC) black, UL 94V-0
Keypad membrane material	Polyester

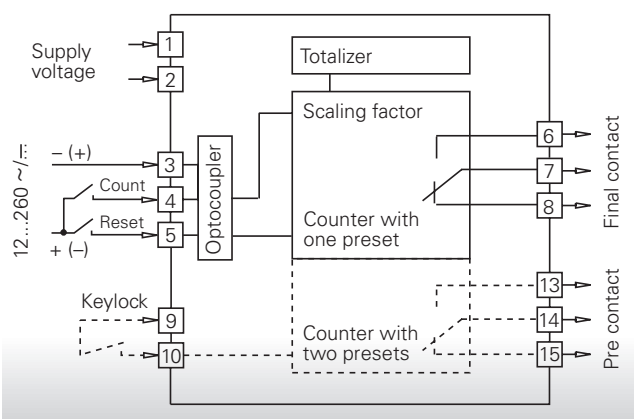
### Accessories

Order no.	
Z 118.033	Adapter plate for screw mounting
Z 118.034	Adapter plate for clips mounting
Z 118.035	Adapter plate for clips mounting with big front panel

### Ambient conditions

Ambient temperature	0...+50 °C
Storage temperature	-20...+70 °C
Relative humidity	Max. relative humidity 80 %, at 25 °C, non-condensing
Protection	Front IP 65 to DIN 40050
General rating	EN 61010 Part 1 - Protection standard II - Overvolt. protection categ. II - Contamination factor 2
Interference immunity	EN 61000-6-2
Emitted interference	EN 50081-2

## Block diagram

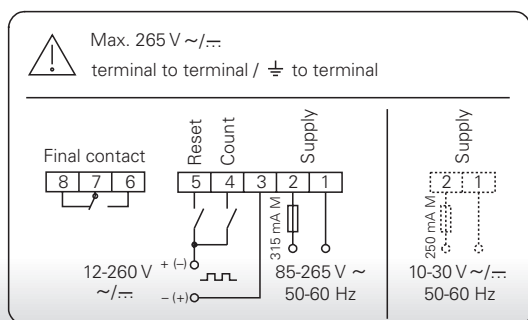


## Electrical data

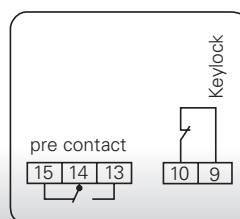
Supply voltage	85...265 VAC (50 / 60 Hz) 10...30 VAC/VDC (50 / 60 Hz)
Power consumption	1.5 VA (2 W)
Signal inputs	12...260 VAC/VDC
Counting rate	25 Hz, (1 kHz for DC triggering)
Signal outputs	Programmable as momentary or permanent signals; Impulse time can be programmed 0.01...99.99 s
Relay signal outputs	1 or 2 floating relays to be programmed as normally open or normally closed contact Max. switching voltage 260 VAC Max. switch. power 1 A Max. swit. capacity 150 VA / 30 W Response time ca. 5 ms
Reset	Manually, electrically or automatically
Data storage	> 10 years via EEPROM
Operation modes	To be programmed as adding or subtracting

3

## Pin assignment



## Pin assignment (Supplement for 2 presets)



## Dimensions

