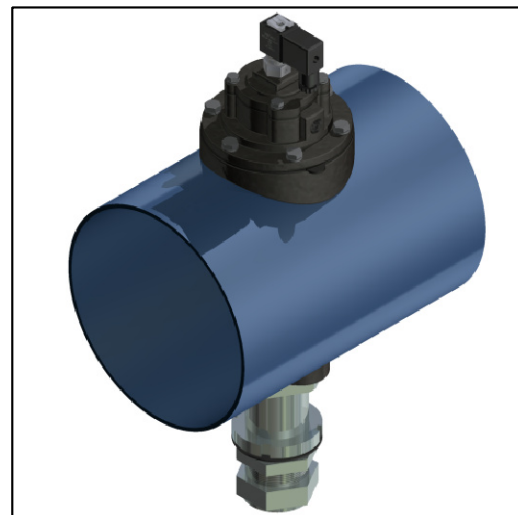


HEADER TANK PED* CHARACTERISTICS

PARAMETERS	VALUES	NOTE	
WORKING PRESSURE	Max 8 Bar		
ENVIRONMENT TEMPERATURE (T)	- 40°C + 100°C	STAINLESS STEEL	
	- 20°C + 70°C	CARBON STEEL	
CAPACITY	35 l/m		
COLOUR	RAL 5012	FOR CARBON STEEL	
AIR QUALITY CLASSES in according to ISO 8573-1	SOLID	2	
	WATER	4	For T > +3°C
		3	For -20°C < T < +3°C
		2	For -40°C < T < -20°C
OIL	1		
PROTECTION LEVEL	IP65		

VT14K4



VALVE CHARACTERISTICS

PARAMETERS	VALUES	NOTE
WORKING PRESSURE	1.5 - 8 Bar	
TEMPERATURE RANGE	- 40°C + 100°C	STANDARD DIAPHRAGM
	- 20°C + 200°C	VITON DIAPHRAGM
KV	62	
WEIGHT	2.8 - 3 Kg	

MECHANICAL DETAILS

No	DESCRIPTION	STANDARD MATERIAL	PORT OPTION	HI TEMP MATERIALS	KIT CODE STANDARD	KIT CODE HI TEMP	
1	BLOW PIPE 1 1/2"	CARBON STEEL or SS AISI 304 304L 316 316L	N/A	AS STANDARD	-	-	
2	HEADER TANK 8"	CARBON STEEL or SS AISI 304 304L 316 316L	N/A	AS STANDARD	-	-	
3	BODY 1 1/2" INTEGRATED	ALUMINIUM DIE CAST	N/A	AS STANDARD	VL1500T04	VL1500T04HT	
4	DIAPHRAGM 1 1/2"	NBR 70SH	N/A	VITON			
5	SPRING	304 STAINLESS STEEL	N/A	AS STANDARD			
6	COVER 1 1/2"	ALUMINIUM DIE CAST	N/A	AS STANDARD	VL00AT18AN	-	
7	SCREWS M8 + WASHER	304 STAINLESS STEEL	N/A	AS STANDARD	-	-	
8	DIAPHRAGM 3/4"	NBR 70SH	N/A	VITON	VL1500T04	VL1500T04HT	
9	SPRING	304 STAINLESS STEEL	N/A	AS STANDARD			
10	COVER 3/4"	ALUMINIUM DIE CAST	N/A	AS STANDARD	VL00AT08AN	-	
11	SCREWS M6 + WASHER	304 STAINLESS STEEL	N/A	AS STANDARD	-	-	
12	STANDARD	PILOT	BRASS + 304 STAINLESS STEEL	STD 1/4" G	AS STANDARD	PPTPXVB	-
13		CONNECTOR	NYLON	STD PG9 OPT M20X1.5	AS STANDARD	-	-
14		COIL	130° RATED NYLON ENCAPSULATION	-	AS STANDARD	SEE COIL DETAILS	-
15		CLIP	CARBON STEEL GALVANIZED	-	AS STANDARD	-	-
16	NUT	CARBON STEEL	-	AS STANDARD	-	-	
17	RUBBER SLEVE	CARBON STEEL	-	AS STANDARD	-	-	
18	HEXAGONAL NUT	CARBON STEEL	-	AS STANDARD	-	-	
19	RUBBER WASHER	CARBON STEEL	-	AS STANDARD	-	-	
20	ROUND NUT	CARBON STEEL	-	AS STANDARD	-	-	

ACCESSORIES DETAILS

KIT CODE	EQUIPMENT
SO (Standard Optional)	1/4" Pressure Gauge 1/4" Drain Cock 1/4" Plug 1" Plug
FO (Full Optional)	Standard Optional + Safety Valve

COIL DETAILS

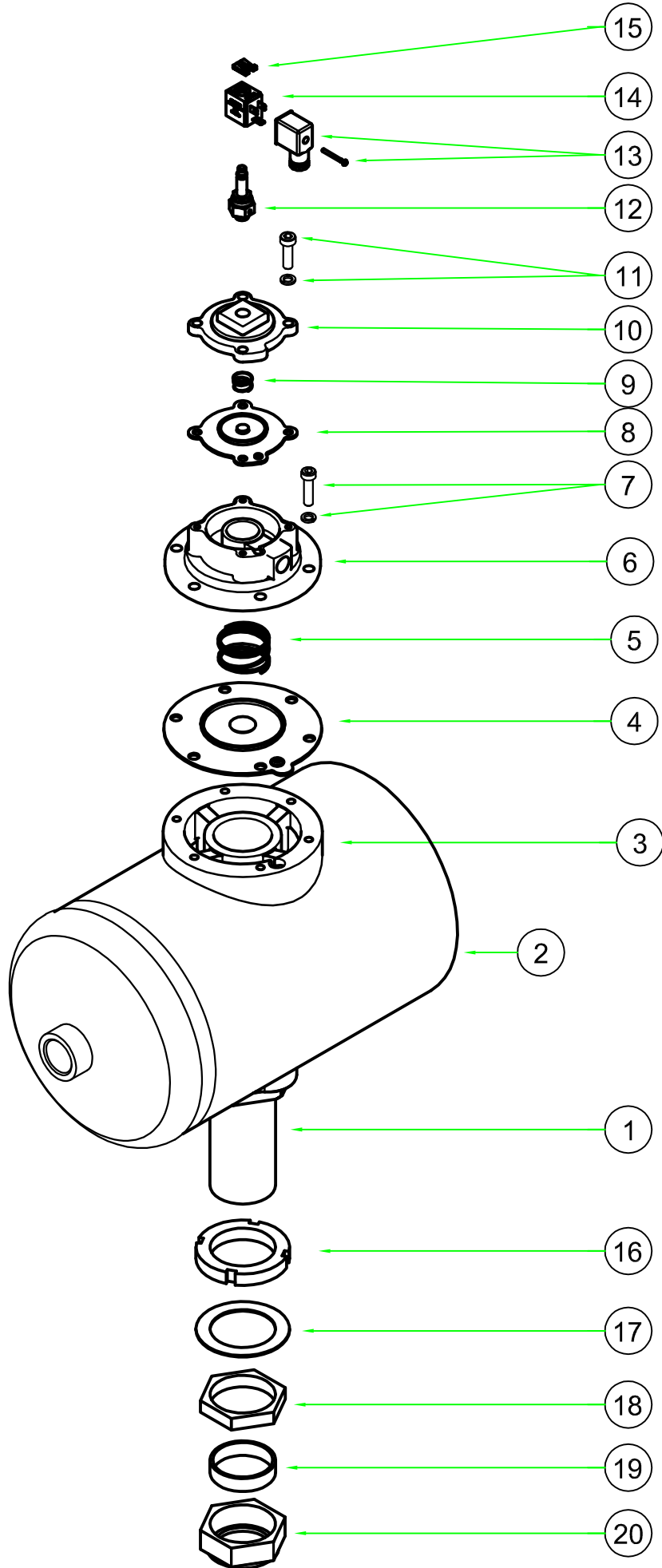
KIT CODE	VOLTAGE
BB-24/DC	DC24V
BB-24/50	AC24V / 50 Hz
	AC26V / 60 Hz
BB-110/50	AC115V / 50-60 Hz
BB-220/50	AC230V / 50-60 Hz
Power Absorption at 20°C	20 VA AC / 20 W DC
Isolation Class	F (155°C) and H (180°/200°C) according to VDE regulation

TIGHTENING TORQUE

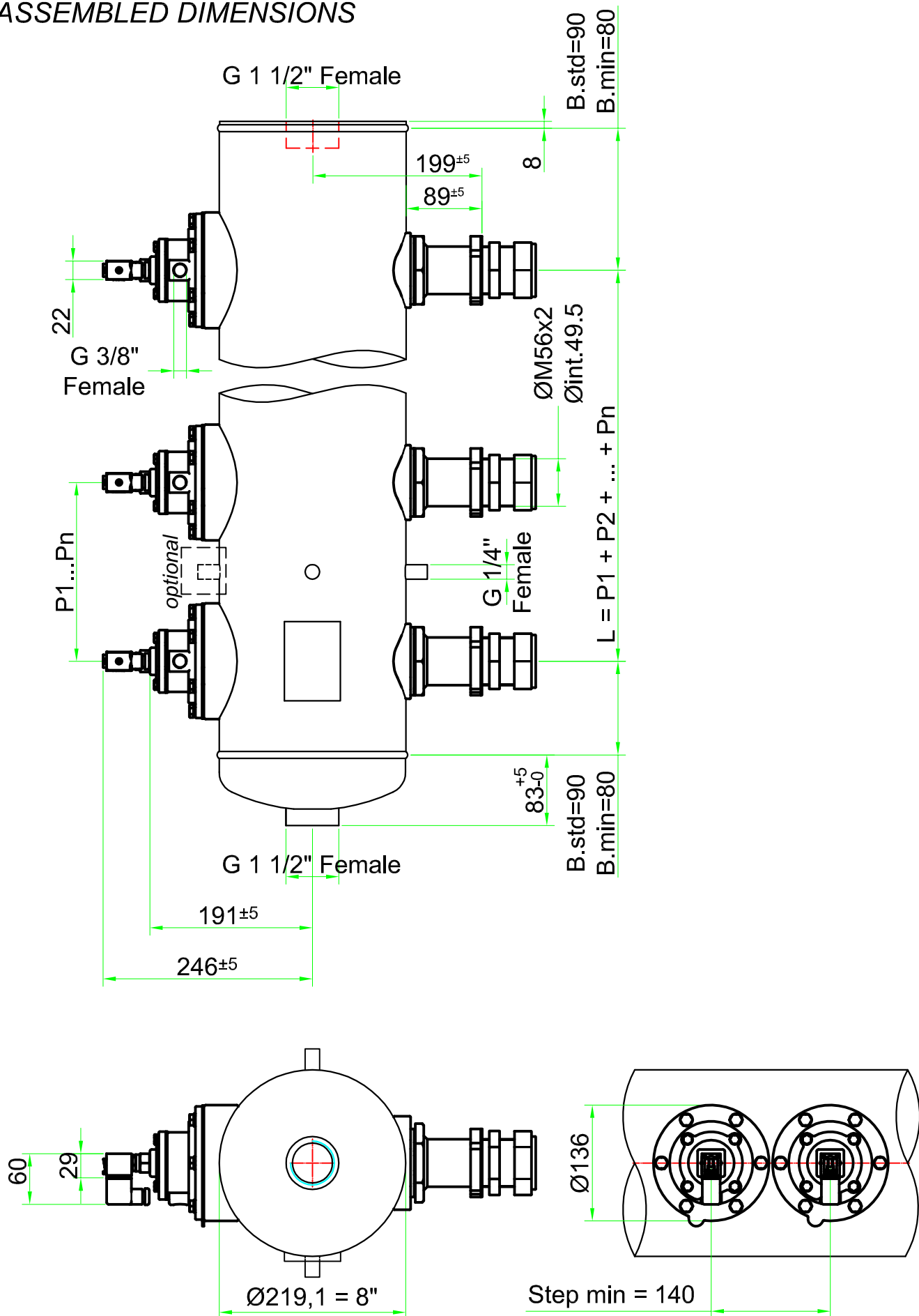
No	DESCRIPTION	VALUES
6	SCREWS M8	20 Nm ± 2
9	SCREWS M6	14 Nm ± 1.4
10	PILOT	10 Nm ± 1
11	CABLE GLAND	5 Nm ± 1
	SCREW M3	2 Nm ± 1

STANDARD CERTIFICATION	AVAILABLE ON DEMAND CERTIFICATIONS
PED	ASME GOST ATEX

EXPLODED



ASSEMBLED DIMENSIONS



CONSUMPTION GRAPHS

