



DUCATI energia

POWER ELECTRONIC CAPACITORS



ESTABLISHED IN 1926

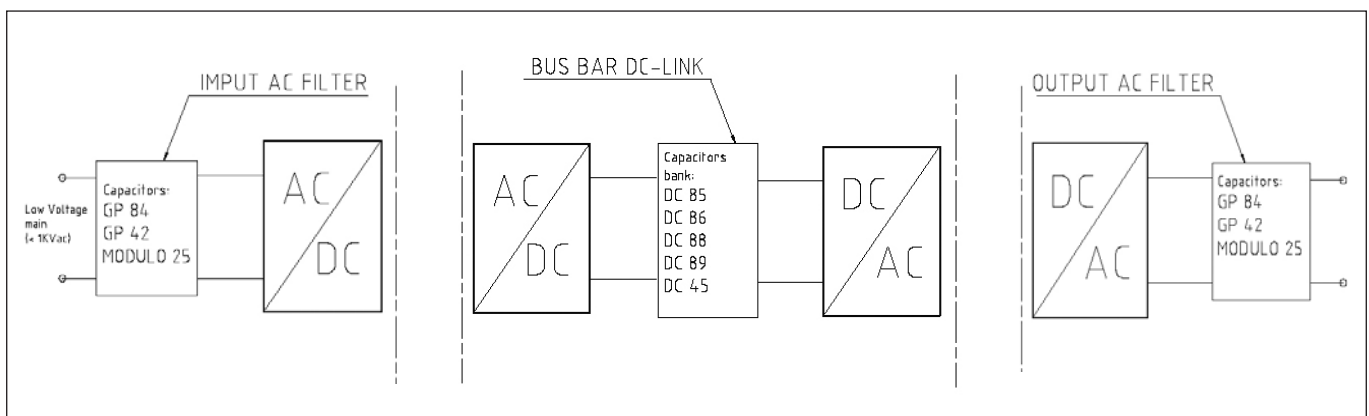




POWER ELECTRONICS CAPACITORS

MAIN TYPES OF CAPACITORS:

CAPACITOR TYPE	SERIES	APPLICATIONS
GENERAL PURPOSE	GP 42 - 416.42	switching, high performance lighting, UPS filter, AC-link, resonant circuit, PFC with high harmonics, DC-link, filter
	GP 84 - 416.84	
DEDICATED DC APPLICATIONS	DC 85 - 416.85	filtering and storage
	DC 86 P - 416.86	
	DC 89 HC - 416.89	
	DC 88 M - 416.88	
	DC 45 - 415.45	
3-PHASE AC FILTERING	Modulo XD - 416.46	3-phase filter/PFC for wind generator / AC filters



POWER ELECTRONICS CAPACITORS

CROSS REFERENCE TABLE

Rated DC / AC voltage (V) versus Capacitance (μF)

	DC rated voltage U_n [V]	400 - 800	800 - 1400	1400 - 2000	2000 - 2500	2500 - 3000	3000 - 4000	4000 - 6000
	AC rated voltage U_{rms} [V]	250 - 550	690 - 1000	-	-	-	-	-
CAPACITANCE C_n [μF]	0 - 50	GP42 GP84	DC89 HC GP42 GP84	DC89 HC		DC85 B	DC85 B	DC85 B
	50 - 100	DC89 HC GP42 GP84	DC89 HC GP84	DC85 C		DC85 B	DC85 B	DC86 P
	100 - 150	DC89 HC GP84	DC89 HC DC85 C GP84	DC85 C	DC85 B	DC85 B		DC86 P
	150 - 200	DC89 HC GP84	DC89 HC DC85 C GP84	DC85 C	DC85 B	DC85 B	DC86 P	DC86 P
	200 - 250	DC89 HC GP84		DC85 C	DC85 B		DC86 P	DC86 P
	250 - 300	GP84	DC85 C	DC85 C			DC86 P	
	300 - 400	DC85 C GP84	DC85 C	DC85 C			DC86 P	
	400 - 500	DC85 C GP84	DC85 C	DC85 C		DC86 P	DC86 P	
	500 - 600	DC85 C GP84	DC85 C	DC85 C		DC86 P		DC45
	600 - 1000	DC85 C	DC85 C DC85 B	DC85 C DC86 P	DC86 P	DC86 P	DC45	
	1000 - 2000	DC85 C DC85 B	DC85 C DC85 B DC86 P	DC86 P	DC86 P	DC88 M DC45		
	2000 - 3000	DC85 C DC85 B	DC85 C DC85 B DC86 P	DC86 P	DC88 M DC45			
	3000 - 6000	DC85 C DC85 B DC86 P	DC85 C DC86 P	DC88 M DC45				
	6000 - 10000	DC86 P	DC86 P DC88 M DC45					
	10000 - 20000	DC86 P DC88 M DC45	DC88 M DC45					

DC series: - DC Application: expressly designed for operation with DC voltage
 GP series: - General purpose application: designed for operation both AC and DC voltage

POWER ELECTRONICS CAPACITORS

CONTENTS:

<u>CONTENTS</u>	4
<u>INTRODUCTION</u>	5
Technologies	5
Terms and definitions	5
Safety	7
Mounting and Operating Instructions	7
Disposal	7
<u>GENERAL PURPOSE CAPACITORS</u>	8
GP Series	8
GP 42 Series	9
GP 84 Series	13
<u>DC CAPACITORS</u>	17
DC Series	17
DC 85 C Series	18
DC 85 B Series	22
DC 86 P Series	25
DC 89 HC Series	28
DC 88 M Series	31
DC 45 Series	33
<u>3-PHASE AC FILTER CAPACITORS</u>	35
Modulo XD	35
<u>INQUIRY FORM</u>	37
<u>NOTES</u>	39

POWER ELECTRONICS CAPACITORS

INTRODUCTION:

Ducati was founded in 1926 and was the first company in Italy, and among the first in the world, to introduce capacitors for the radiobroadcasting equipment produced by Guglielmo Marconi.

Building upon this tradition, which has always seen Ducati in the forefront of capacitor technology, the company has developed the **innovative PPMh (AC applications) and PPMd films (DC applications)**.

Superior performance and reduced dimensions compared to the by now obsolete paper and oil and gas solutions make these capacitors the new standard of reference for industrial power electronics systems.

However, the present range also includes traditional PPM versions for applications where the capacitor is not subjected to severe working conditions.

All the capacitors manufactured by Ducati Energia feature a protection device conforming to standards IEC 61071-1/2. This protection has been achieved by means of a special engineering technology: if a fault occurs the connections will be broken due to overpressure, leaving the insulation of the case intact and preventing the capacitor from exploding or burning.

The device has been designed and dimensioned to ensure more efficient, prompt operation with both low and high short circuit currents (up to 10,000 A).

TECHNOLOGIES

PPM / MKP TECHNOLOGY

Metallized polypropylene technology (PPM – MKP) utilizes a vacuum evaporation technique to deposit an extremely thin layer of metal on one side of the polypropylene film.

The capacitor elements built using this technology are obtained by winding two polypropylene films. The capacitor plates consist in the metallized surface of the two films and the dielectric is the propylene film itself.

The main advantage of capacitors with metallized plates is their self-healing capacity. This means that they are capable of restoring their electrical properties following the occurrence of a short circuit between the plates.

Due to the reduced thickness of the plates, the short circuit current generated in the area of a fault is capable of vaporizing the metal coating; the short circuit is thereby automatically extinguished without an appreciable reduction in capacitance or expenditure of energy.

- STANDARD LIFE (SL) SERIES - PPM capacitors

In these capacitors the impregnating agent is a special type of resin. Ducati Energia has developed an ecofriendly resin composition displaying high dielectric stability, which completely eliminates every possible risk of air and water molecules being present inside the capacitor. This category includes the capacitors belonging to the families:

- SEGMENTATION

Self-healing DC capacitors without tear-off fuses can be manufactured with a segmented metallized polypropylene film. Various segmental designs are available which are applied in accordance with the mode of application and the specification. All segmented metallizations being applied are produced in accordance with the Vishay specification.

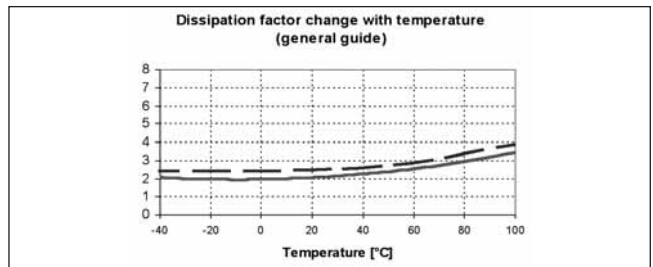
TECHNOLOGY PPMh/MKPh and PPMd/MKPd

The continuous research conducted in Ducati Energia laboratories has led to the development of a polypropylene film with a special metallization, whose purpose is to increase gradient of voltage without decreasing lifetime.

Thanks to this innovative metallization treatment, the capacitor has a significantly dimension reduction and maintains its dielectric properties and performance in terms of both current and voltage.

- PPMh is film designed for AC voltage, can support also DC applications, agree with technical data.

- PPMd is designed for DC voltage, with high superimposed ripple



Tolerance on capacitance

The maximum admitted deviation from the rated value of capacitance, measured at ambient temperature (20 ±5°C) and at the rated voltage.

Rated AC Voltage (Un AC)

The maximum operating peak recurrent voltage of either polarity of a reversing type wave form, for which the capacitor has been designed.

Rated DC Voltage (Un DC)

The maximum operating peak voltage of either polarity but of a non-reversing type wave form, for which the capacitor has been designed.

Rated Rms voltage (Urms)

Root mean square of the maximum permissible value of A.C. voltage, in continuous operation. In case of sinusoidal wave form voltage, the following relationship could be considered:

$$U_N = U_{rms} \cdot \sqrt{2}$$

Non-recurrent surge voltage (Us)

A peak voltage inducted by switching or any other faults or disturbance of the system, which is allowed for a maximum of 500 times and for a durations shorter than 100 msec.

Ripple voltage (Ur)

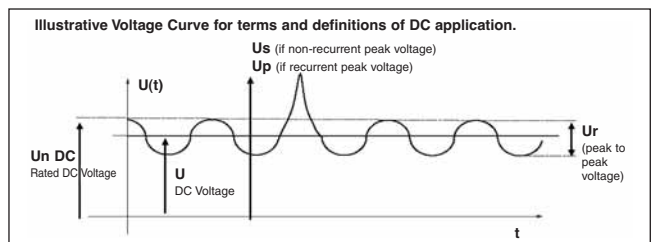
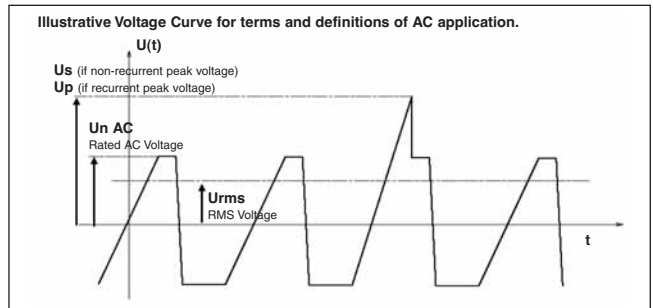
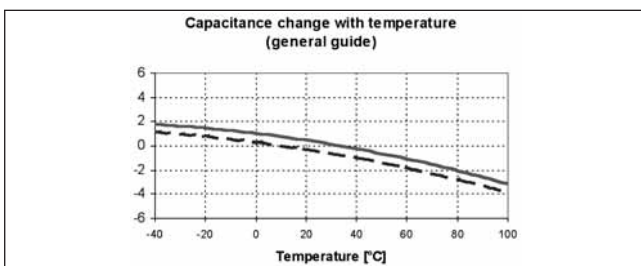
The peak-to-peak alternating component of the unidirectional voltage.

TERMS AND DEFINITIONS

(According to IEC 61071)

Rated capacitance (Cn)

Capacitance value rated at ambient temperature (20 ±5°C) and at the rated voltage. For capacitors made with metallized polypropylene dielectric film, the capacitance and dissipation factor change versus temperature. Typical graphs of these deviations are shown in the below diagrams.



POWER ELECTRONICS CAPACITORS

Maximum current (Imax)

The maximum rms value of permissible current in continuous operation. This value is related to the maximum power dissipation at the highest permitted temperature of the case (θ_{max}) at which the capacitor may be operated.

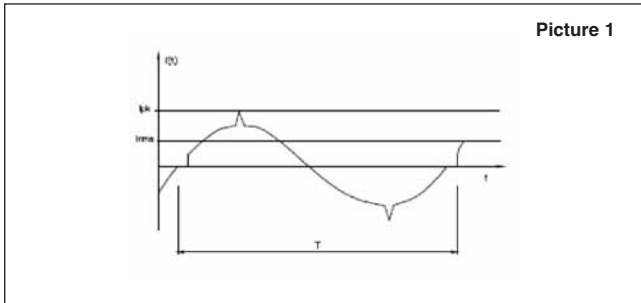
Operating at the maximum r.m.s current (Imax), the capacitor produces a case temperature rise of about 10 – 15 °C over the ambient, according to the capacitor type (please see RTHC for each models) and the application.

To avoid thermal instability on the capacitor the case temperature of the capacitor must not exceed the maximum operating temperature (θ_{max}), so it could be necessary to reduce the ambient temperature with a cooling air system or to reduce the Imax current.

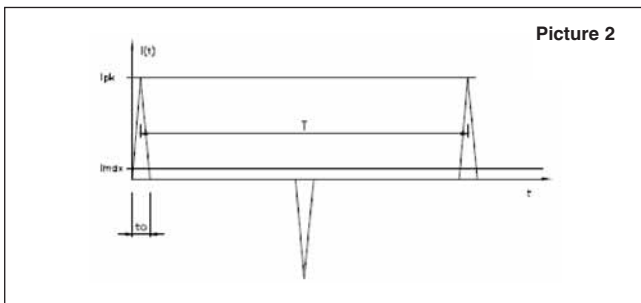
Maximum peak current (Ipk)

The maximum current amplitude which occurs instantaneously during continuous operation. For some capacitors series and according to the typical application (high or low distortion), it's possible to describe two different maximum peak current:

Ipk Cw (continuous waveform): for linear or low distortion current waveform - picture 1



Ipk Iw (Impulsive waveform): for high distortion current waveform, typical when the $t_o/T < 0,1\%$ - picture 2



Rate of voltage rise (du/dt)

Maximum permitted repetitive rate of voltage rise of the operational voltage

Peak surge current (Is)

The admissible peak current inducted by switching or any other faults or disturbance of the system, which is allowed for a maximum of 500 times and for a durations shorter than 100 msec.

Equivalent series resistance (RESR)

An effective resistance which, if connected in series with an ideal capacitor with the same value capacitance, would have a power loss equal to the active power dissipated in the capacitor under specified operating conditions. Normally, for frequency lower than the resonanting one, the following relationship could be considered:

$$R_{ESR} = R_s + \left(\frac{\tan \delta_0}{2\pi f C} \right)$$

Series resistance (Rs)

It is the resistance produced by the current heat losses ($I_{RMS}^2 \cdot R_s$) in the capacitor.

Equivalent series inductance (LESR)

The value of equivalent inductance that the capacitors has due to the internal connections, terminals, winding characteristics and physical dimensions.

Thermal resistance (RTHC)

It is the thermal resistance (°C/W) between the hottest point on the case of the capacitor in thermal equilibrium and the natural cooling environment, with the temperature measured approximately at 0,1 meter away from the capacitor container and at two-third of the height from its base. The following relationship could be considered:

$$P_{max} = \frac{1}{R_{THC}} \cdot (\theta_c - \theta_{max})$$

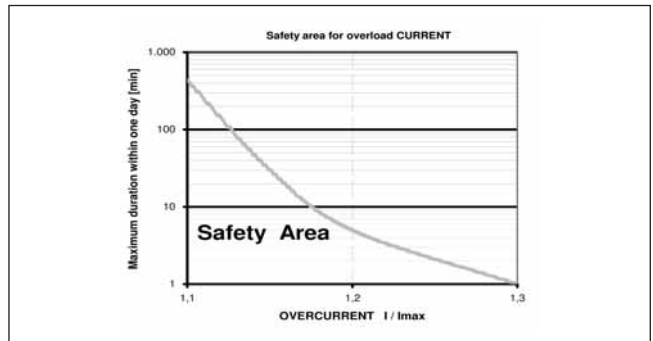
Maximum dissipation factor (tanδ max)

Maximum tangent of the loss angle, expressed as the ratio between the equivalent series resistance and the capacitive reactance of the capacitor at 50Hz sinusoidal frequency. The nominal value (tanδ) is calculated as follows:

$$\tan \delta = 2\pi f C R_{ESR} = \tan \delta_0 + 2\pi f C R_s$$

Safety area

The following charts shown the maximum permissible voltage or current in case of an overload operation. The amplitude of overvoltages or overcurrents may be tolerated without significant reduction in the life time of capacitor, if the case temperature of the capacitor is within the operating temperature.



Voltage test between terminals (Utt)

Routine test of all capacitors conducted at room temperature, prior to delivery. The capacitor shall be subjected for 10 s to a test voltage applied between the terminals. During the test, neither puncture nor flashover shall occur, self-healing breakdowns are permitted. For more details regarding the value of test voltage, please see the data sheet for each single capacitor model.

Voltage test between terminals and case (Utc)

Routine test of all capacitors conducted at room temperature, prior to delivery. The capacitor having all terminals insulated from the container shall be subjected for 10 s to a AC test voltage applied between terminals (joined together) and the container. During the test, neither puncture nor flashover shall occur. For more details regarding the value of test voltage, please see the data sheet for each single capacitor model.

Lowest operating temperature (θmin)

Lowest permissible case temperature, in thermal equilibrium, at which the capacitor may be used.

Maximum operating temperature (θmax)

Highest permissible case temperature, in thermal equilibrium, at which the capacitor may be used.

Climatic categories

F class:

- maximum relative humidity 75% - annual means,
- permitted maximum 95% for 30 days/year,
- condensation not permitted

POWER ELECTRONICS CAPACITORS

SAFETY

Capacitor Protection:

- Against accidental contact

In accordance with IEC 61071, all capacitors are checked by 100% routine test (voltage test between terminations and case). Accessible capacitors must be earthed at the bottom stud or with an additional earthing clamp.

- Overload and failure at the end of service life

All described capacitors are "self-healing": in the event of a voltage breakdown the metal layers around the breakdown channel are evaporated by the temperature of the electric arc between the electrodes, and create small overpressure. An insulation area is formed which is reliably resistive and voltage proof for all operating requirements of the capacitor. The capacitor remains fully functional during and after the breakdown.

In the event of overvoltage or at the end capacitor service life, an increasing number of selfhealing breakdowns may cause rising pressure inside the capacitor and brake the can. To prevent it, the capacitor is fitted with an obligatory "overpressure mechanism".

This safety mechanism is based on an attenuated spot at one of the connecting wires inside the capacitor.

When the rising pressure, the casing begins to expand, and disconnects the attenuated spot wire and the current path is interrupted irreversibly. It has to be noted that this safety system can act properly only within the permitted limits of loads and overloads.

The capacitors in rectangular case are provided with an overpressure switch that would signalize a rising pressure inside the case. A corresponding external safety circuit which disconnects the capacitor immediately in such event has to be provided by the user.

- Overvoltages and Short Circuits

As shown above, the capacitors are self-healing and regenerate themselves after breakdowns of the dielectric. For voltages within the permitted testing and operating maximum the capacitors are overvoltage-proof.

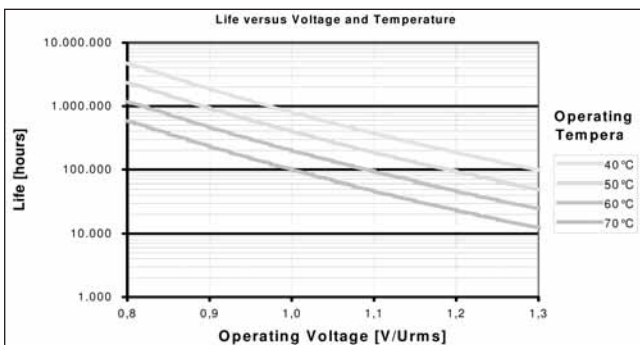
They are also proof against external short circuits as far as the resulting surge discharges do not exceed the specified current limits (IS).

Operating life

The capacitors have been designed for an average service life of 100,000 hrs (permitted failure rate 3%).

Above all, the operating life of the capacitors depends on the temperature inside during operation, and the field strength in its dielectric.

The following diagram demonstrates the correlation between service life, temperature, and operating voltage.



MOUNTING AND OPERATING INSTRUCTIONS

Connection

Connection at threaded studs have to be made between two nuts. During connection the lower nut shall be backed up to avoid any transmission of the torque at isolator. It is not recommended to solder cables to the terminals. Permitted torque for screw connections.

M6: < 3 Nm
M10: < 7 Nm
M12: < 12 Nm
Screw terminal type M6: 3 - 4 Nm

Capacitors overpressure device:

All the AC capacitors with overpressure device shall be connected with sufficiently flexible leads to permit the functioning of the mechanism, and

sufficient space for expansion of the capacitor case must be left above the terminals.

Depending on the specific dimensions of the capacitors the case could expand between 15 mm and 30 mm.

Mounting Location

As mentioned, the useful life of a capacitor may be reduced dramatically if exposed to excessive heat. To avoid overheating the capacitors must be allowed to emit their heat losses unhindered and shall be shielded from external heat sources. If attenuating circumstances give cause for doubt, special tests should be conducted to ensure that the permitted maximum temperature of the capacitor is not exceeded even under the most critical ambient circumstances. It should be noted that the internal heat balance of large capacitors is only reached after a couple of hours.

Mounting position

Capacitors with liquid or viscous filling shall be installed upright with terminals facing upwards. Please consult our technical department if different mounting position is required. Capacitors with hard resin filling can be mounted in any position without restrictions.

Earthing

Capacitors with a metal case must be earthed at the mounting stud or by means of a separate metal strap or clamp.

Discharge

If there is no discharge of the capacitors provided by external circuits, the capacitors should be provided with discharge resistors. In any event, the poles of the capacitors must be short-circuited before being touched.

Note that capacitors with nominal voltages above 750 V in particular may regenerate new voltage at their terminals after having been short-circuited just for short periods.

This condition results from the internal series connection of the capacitor elements and will be avoided by storing them permanently short-circuited.

DISPOSAL

Our capacitors do not contain PCB, solvents, or any other toxic or banned materials. The impregnants and filling materials contain vegetable oil or polyurethane mixtures. The capacitors are not rated as hazardous goods in transit and do not have to be marked under the Regulations for Hazardous Goods. They are rated WGK 0 (water risk category 0 "no general threat to water").

We recommend disposing of the capacitors through professional recycling centres for electric/electronic waste. The capacitors can be disposed of as follows:

- Capacitors: acc. to European Waste Catalogue (EWC) No. 160216 ("Components taken from discarded equipment")
- Liquid filling materials: acc. to EWC No. 080402 ("Waste adhesives and sealants free of halogenated solvents")
- Hardened filling materials: acc. to EWC No. 080404 ("Hardened adhesives and sealants").

Caution: When touching or wasting capacitors with activated break-action mechanism, please consider that even after days and weeks these capacitors may still be charged with high voltages !

Capacitors are hermetic sealed, to maintain a long operating life and for the correct functioning of the break action mechanism, please pay special attention not to damage any parts of the can, cover or isolators.

NOTE:

Capacitors of the DC series are not provided with an internal safety mechanism which would separate them in a controlled and reliable manner from the energy supply in case of malfunctioning.

These capacitors consist mainly of polypropylene (up to 90%), i.e. their energy content is comparably high. Capacitors may rupture and ignite as a result of internal faults or external overload (e.g. temperature, overvoltage, harmonic distortion). It must therefore be ensured by proper measures that they not perform any hazard for their environment in the event of failure.

Energy content in case of fire: approx. 40 MJ/kg.



Power Electronics Capacitors

GENERAL PURPOSE CAPACITORS

GP SERIES

Metallized Polypropylene AC and DC capacitors for power electronics application with high current and harmonics distortion with long expected life.


FEATURES

- Cylindrical aluminum case
- Over pressure device
- Dry resin
- Double/single tags or screw type bolts terminals
- Self healing PPM/PPMh dielectric
- AC / DC voltage applications

TYPICAL APPLICATIONS

- Inverter
- Filtering
- Switching
- High power lighting



<i>GENERAL CHARACTERISTICS</i>	
RMS voltage	250 - 1000V (*)
Rated Voltage DC	420 - 2100V (*)
Rate Capacitance	0,1÷600 µF
Test voltage between terminals	1,5Un 10s
Test voltage between terminals and case	3kV 50Hz 10s
Terminals	Single or double tag 6.3 x 0.8 mm (GP 42 series) 2 x M6 or 2 x M10 screw-type bolts (GP 84 series)
Working temperature	-40 / +70°C
Storage temperature	-40 / +85°C
Protection degree	IP 00
Filling	Dry polyurethane resin
Dielectric	Self-healing metallized polypropylene film
Case	Aluminum
Protection	Over pressure device
Maximum altitude	2000m a.s.l.
Installation	Vertical / horizontal
Reference standard	IEC 1071-1/2; UL 810
Approvals	UL-CSA c  US (**)

(*) Standard values, other values on request

(**) For GP84 series

Power Electronics Capacitors

GENERAL PURPOSE CAPACITORS



GP 42 Series

Rated AC Voltage	250÷930V
Rated capacitance	0,1÷100 μF
Capacitance tolerance	±5% / ±10%
Max. rms current	10 A / 16 A
Maximum working frequency	10 kHz
Thermal resistance natural cooling (R _{THC})	< 12 °C/W
Series resistance (R _s)	< 5 mΩ
Terminals	Single or double tag 6,3x0,8 mm.
Working temperature	-40 / + 70 °C
Storage temperature	-40 / + 85 °C
Test voltage	U _{tc} = 3 kVac / 6kVac @50Hz 10s U _{tt} = 1,5 x U _n dc 10s
Filling	Dry polyurethane resin
Dielectric	Metallized PPM film
Cylindrical case	Aluminum
Life expectancy	80.000 h (*)
Failure quota	300/10E9
Reference standard	IEC 1071-1/2; UL 810
Integrated overpressure protection	
M8 Threaded fixing bolt	5 Nm
M12 Threaded fixing bolt	10 Nm

(*) Life Derating at operating voltage (according to the chart on page 4)

Life expectancy	4.16.42.1xxx Series	4.16.42.2xxx Series	4.16.42.3xxx Series	4.16.42.4xxx Series	4.16.42.6xxx Series	4.16.42.9xxx Series
80.000 h (rated)	250 V	330 V	450 V	550 V	690 V	930 V
40.000 h	275 V	360 V	500 V	575 V	760 V	1025 V
20.000 h	300 V	400 V	540 V	630 V	830 V	1120 V
10.000 h	330 V	450 V	600 V	690 V	930 V	1250 V

Power Electronics Capacitors

GENERAL PURPOSE CAPACITORS

GP 42 Series

Cn [μF]	I _{MAX} [A]	I _{PK} C _w [A]	I _s [kA]	dV/dT _{max} [V/μs]	R _{THC} natural cooling [°C/W]	Tanδ _{MAX} @50Hz [10 ⁻⁴]	Ø [mm]	H [mm]	Weight [g]	Part n. 416.42.	Pcs. X box	Box type
Urms = 250V			Un AC = 350V			Un DC = 490V		Us = 840V				
2	5,0	8	0,1	50	11,7	3,5	25	60	40	1.05.x	250	6
5	6,5	10	0,3	50	9,4	4,0	30	60	50	1.23.x	200	6
10	7,5	11	0,5	45	6,8	4,5	35	72	80	1.42.x	100	7
15	8,0	12	0,7	45	5,8	5,0	40	72	100	1.55.x	100	6
20	8,5	13	0,7	30	4,5	5,5	40	98	140	1.63.x	50	7
25	8,5	13	0,8	30	4,5	5,5	40	98	150	1.68.x	50	7
30	9,0	14	1,0	30	3,9	5,5	40	98	170	1.69.x	50	7
40	10,0	15	0,9	20	3,3	6,0	45	122	220	1.82.x	25	7
50	10,0	15	1,1	20	3,3	6,0	45	122	230	1.89.x	25	7
60	10,0	15	1,3	20	2,9	6,0	50	122	270	1.92.x	25	7
70	10,0	15	1,5	20	2,6	6,5	55	122	320	1.95.x	25	6
80	10,0	15	1,5	20	2,6	6,5	55	122	330	1.97.x	25	6
100	10,0	15	1,7	15	2,1	7,0	60	137	420	1.99.x	25	6
Urms = 330V			Un AC = 470V			Un DC = 600V		Us = 1120V				
1	5,0	8	0,1	50	11,7	3,5	25	60	40	2.03.x	250	6
2	6,0	9	0,2	70	10,4	3,5	30	53	50	2.12.x	200	7
5	7,0	11	0,3	50	7,8	4,5	35	60	80	2.39.x	125	6
10	8,0	12	0,5	45	5,8	5,0	40	72	100	2.49.x	100	6
15	8,5	13	0,5	30	4,5	5,5	40	98	140	2.58.x	50	7
20	9,0	14	0,7	30	3,9	5,5	45	98	180	2.68.x	50	6
25	10,0	15	0,6	20	3,3	6,0	45	122	220	2.75.x	25	7
35	10,0	15	0,8	20	2,9	6,5	50	122	270	2.88.x	25	7
50	10,0	15	0,8	15	2,4	6,5	55	132	350	2.94.x	25	6
60	10,0	15	1,0	15	2,1	7,0	60	137	430	2.98.x	25	6
Urms = 450V			Un AC = 640V			Un DC = 890V		Us = 1400V				
1	5,0	8	0,1	50	11,7	3,5	25	60	40	3.08.x	250	6
2	6,5	10	0,1	50	9,4	4,0	30	60	50	3.29.x	200	6
5	8,0	12	0,2	45	5,8	5,0	40	72	100	3.47.x	100	6
10	8,5	13	0,3	30	4,5	5,5	40	98	140	3.58.x	50	7
15	10,0	15	0,3	20	3,3	6,0	45	122	220	3.77.x	25	7
20	10,0	15	0,4	20	2,9	6,5	50	122	270	3.88.x	25	7
25	10,0	15	0,4	15	2,4	6,5	55	132	350	3.92.x	25	6
30	10,0	15	0,5	15	2,4	6,5	55	132	360	3.95.x	25	6
35	10,0	15	0,6	15	2,1	7,0	60	137	430	3.97.x	25	6
40	10,0	15	0,7	15	2,1	7,0	60	137	440	3.99.x	25	6

Power Electronics Capacitors

GENERAL PURPOSE CAPACITORS

GP 42 Series

Cn [μF]	I _{MAX} [A]	I _{PK} C _w [A]	I _s [kA]	dV/dT _{max} [V/μs]	R _{THC} natural cooling [°C/W]	Tanδ _{MAX} @50Hz [10 ⁻⁴]	Ø [mm]	H [mm]	Weight [g]	Part. n. 416.42.	Pcs. X box	Box type
Urms = 550V				Un AC = 780V			Un DC = 940V		Us = 1680V			
1	7,0	11	0,1	60	6,3	3,0	30	98	70	4.10.x	125	6
2	7,0	11	0,1	60	5,2	3,0	30	98	80	4.15.x	125	6
5	8,5	13	0,3	60	4,5	3,5	40	98	140	4.33.x	50	7
10	9,5	14	0,7	60	3,5	4,0	50	98	220	4.58.x	25	7
15	10,0	15	0,7	40	2,4	4,5	55	132	360	4.63.x	25	6
20	10,0	15	0,9	40	2,4	4,5	55	132	370	4.68.x	25	6
25	10,0	15	1,1	40	2,1	5,0	60	137	420	4.78.x	25	6
35	10,0	15	1,0	25	1,7	5,5	60	181	560	4.88.x	25	6
Urms = 690V				Un AC = 990V			Un DC = 1350V		Us = 2240V			
0,68	7,0	11	0,1	60	6,3	3,0	30	98	80	6.12.x	125	6
1	7,0	11	0,1	60	6,3	3,0	30	98	90	6.15.x	125	6
2	8,0	12	0,1	60	5,2	3,0	35	98	110	6.23.x	50	7
5	9,5	14	0,3	60	3,5	4,0	50	98	220	6.51.x	25	7
8	10,0	15	0,4	40	2,4	4,5	55	132	360	6.62.x	25	6
10	10,0	15	0,4	40	2,4	4,5	55	132	370	6.68.x	25	6
12	10,0	15	0,7	40	2,1	5,0	60	137	420	6.74.x	25	6
20	10,0	15	0,6	25	1,7	5,5	60	181	560	6.88.x	25	6
Urms = 930V				Un AC = 1300V			Un DC = 1700V		Us = 2800V			
0,68	8,5	13	0,1	60	3,9	3,0	40	115	160	9.10.4	50	7
1	8,5	13	0,1	60	3,9	3,0	40	115	170	9.14.4	50	7
2	8,5	13	0,1	60	3,9	3,0	40	115	190	9.18.4	50	7
5	10,5	16	0,3	60	2,7	4,0	55	115	300	9.49.4	25	6
8	12,0	18	0,4	40	2,0	4,5	60	150	470	9.61.4	25	6
10	14,0	21	0,4	40	1,8	5,0	65	150	550	9.75.4	20	6
12	16,0	24	0,5	35	1,7	5,5	65	165	600	9.85.4	15	6
14	16,0	24	0,5	35	1,7	5,5	65	165	620	9.89.4	15	6

(Cn) standard values, other values on request.

Code "x" : according to the mechanical configuration, see figures at page 11 (only for A solution).

Box TYPE	Standard box dimensions
6	mm 195 x 390 x 250
7	mm 195 x 390 x 200

STUD	Capacitor diameter
M8	Ø 25 - 30 - 40 - 45 - 50
M12	Ø 55 - 60

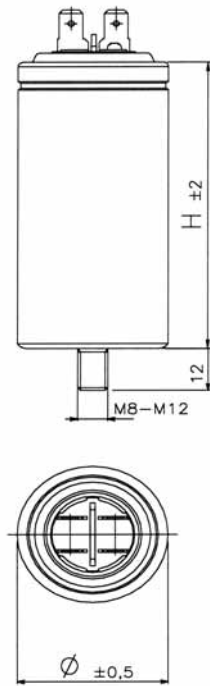
Power Electronics Capacitors

GENERAL PURPOSE CAPACITORS

GP 42 Series

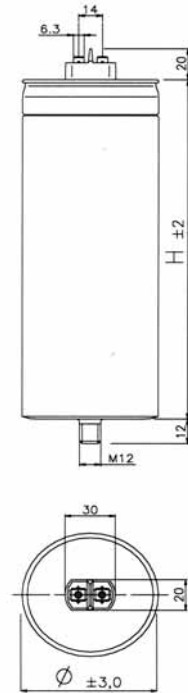
Mechanical Solutions

A solution
 $U_{rms} \leq 690V$



X = according to table 1

B solution
 $U_{rms} = 930V$

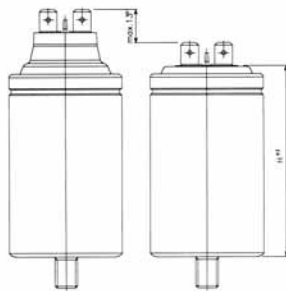


X = 4

Over pressure safety device

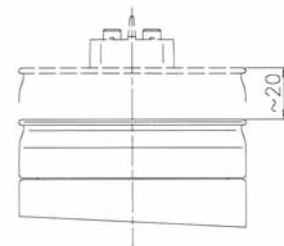
A solution
Overpressure safety device

In order to ensure proper device operation, when the capacitor is installed, a clearance of at least 10mm must be left above terminals.

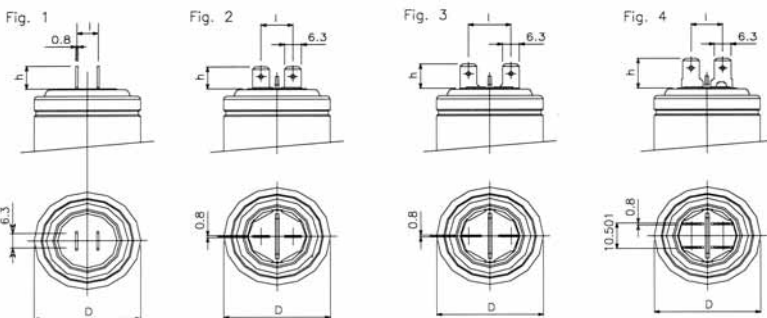


B solution
Overpressure safety device

In order to ensure proper device operation, when the capacitor is installed, a clearance of at least 20mm must be left above terminals.



Plastic cover configurations - only for A solutions



CODE .x. = 1

CODE .x. = 2

CODE .x. = 3

CODE .x. = 4

Table 1

øD Cap.	Fig.1		Fig.2		Fig.3		Fig.4	
	h (mm)	l (mm)	h (mm)	l (mm)	h (mm)	l (mm)	h (mm)	l (mm)
25	10.9	8						
30			9	12				
35			9	12			12.2	12
40			9	12	10	16	12.2	12
45			9	12	10	16	12.2	12
50			9	12	10	16	12.2	12
55			9	12	10	16	12.2	12
60			8.9	15.5			12	20.5

Power Electronics Capacitors

GENERAL PURPOSE CAPACITORS



GP 84 Series

Rated AC Voltage	250÷1000V
Range capacitance	10÷600 μ F
Capacitance tolerance	\pm 5% / \pm 10%
Max. rms current	80 A
Series resistance (R_s)	< 8 m Ω
Thermal resistance natural cooling (R_{THc})	< 3,0 $^{\circ}$ C/W
Max. voltage raise of rise (dV/dT)	\leq 100 V/ μ s
Terminals	M6 or M10 screw-type bolts or double tag 6,3 x 0,8 mm.
Working temperature	-40 / + 70 $^{\circ}$ C
Storage temperature	-40 / + 85 $^{\circ}$ C
Test voltage	U_{tc} = 3 kVac / 6kVac @50Hz 10s U_{tt} = 1,5 x U_n dc 10s
Filling	Dry polyurethane resin
Dielectric	Metallized PPMh film
Cylindrical case	Aluminum
Life expectancy	100.000h (*)
Failure quota	300/10E9
Reference standard	IEC 1071-1/2; UL 810
UL-CSA approved (c us) -10 kA AFC	File n. E102953 (**)
Integrated overpressure protection	
M12 Theaded fixing bolt	10 Nm
Maximum fixing torque for M6 terminals	3 Nm
Maximum fixing torque for M10 terminals	6 Nm (***)

(*) Life Derating at operating voltage (according to the chart on page 4)

Life expectancy	4.16.84.2xxx Series	4.16.84.3xxx Series	4.16.84.4xxx Series	4.16.84.5xxx Series	4.16.84.6xxx Series	4.16.84.9xxx Series
100.000 h (rated)	250 V	330 V	450 V	550 V	690 V	930 V
50.000 h	275 V	360 V	500 V	575 V	760 V	1025 V
25.000 h	300 V	400 V	540 V	630 V	830 V	1120 V
12.500 h	330 V	450 V	600 V	690 V	930 V	1250 V

(**) UL Approved for A, B and C solution (excepted series 690V - 930V solution A). F solution in progress (expected end 2010).

(***) To avoid breaking, complete the tighten of the nuts using two wrenches.

Power Electronics Capacitors

GENERAL PURPOSE CAPACITORS

GP 84 Series

Cn [μF]	Imax* [A]	IpK Cw [A]	IpK Iw [kA]	Is [kA]	RthC [°C/W]	LESr [nH]	TanδMAX @50Hz [10 ⁻⁴]	Ø [mm]	H [mm]	Weight [g]	Mechanical solution	Part. n. 416.84.	Pcs. X box	Box type
Urms = 250V				Un ac = 350V				Un dc =490V		Us=950V				
60	22	33	1,7	9	2,7	130	5,0	55	115	300	A / C	2.1x.y	28	1
80	22	33	1,7	9	2,7	130	5,0	55	115	340	A / C	2.1x.y	28	1
100	25	38	1,9	11	2,2	160	5,0	55	150	370	A / C	2.2x.y	21	1
120	25	38	1,9	11	2,2	160	5,0	55	150	390	A / C	2.2x.y	21	1
150	32	48	2,4	13	2,0	160	5,5	60	150	450	A / C	2.3x.y	18	1
175	36	54	2,7	16	1,8	170	6,0	65	150	520	A / C	2.4x.y	16	1
200	38	57	2,9	12	1,7	180	6,5	65	165	580	A / C	2.5x.y	16	1
230	40	60	3,0	20	1,3	200	7,0	75	180	820	F	2.6x.7	6	2
250	40	60	3,0	20	1,3	200	7,0	75	180	830	F	2.6x.7	6	2
300	40	60	3,0	20	1,3	200	7,0	75	180	860	F	2.6x.7	6	2
350	45	68	3,4	20	1,1	210	7,5	85	180	980	F	2.7x.7	6	2
400	45	68	3,4	20	1,1	210	7,5	85	180	1050	F	2.7x.7	6	2
500	78	117	5,9	20	0,9	230	8,5	90	210	1400	F	2.9x.7	6	3
600	80	120	6,0	18	0,8	300	9,0	85	280	1700	F	2.9x.7	6	4
Urms = 330V				Un ac = 470V				Un dc =600V		Us=1150V				
50	22	33	1,7	7	2,7	160	5,0	55	115	320	A / C	3.1x.y	28	1
80	26	39	2,0	8	2,2	160	6,0	55	150	390	A / C	3.2x.y	21	1
100	26	39	2,0	8	2,2	160	6,0	55	150	400	A / C	3.2x.y	21	1
120	30	45	2,3	10	2,0	160	6,0	60	150	460	A / C	3.3x.y	18	1
150	34	51	2,6	13	1,8	170	6,5	65	150	540	A / C	3.4x.y	16	1
175	38	57	2,9	10	1,7	180	7,0	65	165	600	A / C	3.5x.y	16	1
200	40	60	3,0	14	1,3	200	7,5	75	180	860	F	3.6x.7	6	2
250	40	60	3,0	14	1,3	200	7,5	75	180	860	F	3.6x.7	6	2
300	45	68	3,4	18	1,1	210	7,5	85	180	1100	F	3.7x.7	6	2
350	70	105	5,3	16	1,0	230	8,0	85	210	1350	F	3.8x.7	6	3
400	75	113	5,6	18	0,9	230	8,5	90	210	1450	F	3.9x.7	6	3
450	80	120	6,0	13	0,8	300	9,0	85	280	1750	F	3.9x.7	6	4
Urms = 450V				Un ac = 630V				Un dc =825V		Us=1600V				
20	20	30	1,5	4	2,7	130	5,0	55	115	250	A / C	4.0x.y	28	1
30	20	30	1,5	4	2,7	130	5,0	55	115	300	A / C	4.0x.y	28	1
40	24	36	1,8	4,5	2,2	160	6,0	55	150	370	A / C	4.1x.y	21	1
50	24	36	1,8	4,5	2,2	160	6,0	55	150	400	A / C	4.1x.y	21	1
70	28	42	2,1	6,8	1,8	170	6,5	65	150	530	A / C	4.3x.y	16	1
80	28	42	2,1	6,8	1,8	170	6,5	65	150	550	A / C	4.3x.y	16	1
90	32	48	2,4	5,2	1,7	180	7,0	65	165	590	A / C	4.4x.y	16	1
100	38	57	2,9	7,4	1,3	200	7,5	75	180	860	F	4.5x.7	6	2
150	42	63	3,2	9,9	1,1	210	8,0	85	180	1100	F	4.6x.7	6	2
200	70	105	5,3	9,7	0,9	230	8,5	90	210	1450	F	4.8x.7	6	3
250	75	113	5,6	7,9	0,8	300	9,0	85	280	1710	F	4.9x.7	6	4
300	78	117	5,9	9,1	0,7	300	9,0	90	280	1920	F	4.9x.7	6	4

Power Electronics Capacitors

GENERAL PURPOSE CAPACITORS

GP 84 Series

Cn [μF]	Imax* [A]	Ipk Cw [A]	Ipk Iw [kA]	Is [kA]	Rthc [°C/W]	LESr [nH]	TanδMAX @50Hz [10 ⁻⁴]	Ø [mm]	H [mm]	Weight [g]	Technical solution	Part. n. 416.84.	Pcs. X box	Box type
Urms = 550V				Un ac = 790V				Un dc =940V		Us=1800V				
20	18	27	1,4	2,9	2,7	130	5,0	55	115	300	A / C	5.0x.y	28	1
30	20	30	1,5	3,3	2,2	160	5,5	55	150	350	A / C	5.1x.y	21	1
40	20	30	1,5	3,3	2,2	160	5,5	55	150	390	A / C	5.1x.y	21	1
50	22	33	1,7	4,1	2,0	160	6,0	60	150	460	A / C	5.2x.y	18	1
70	26	39	2,0	3,9	1,7	180	7,0	65	165	590	A / C	5.4x.y	16	1
80	34	51	2,6	5,3	1,3	200	7,5	75	180	820	F	5.5x.7	6	2
100	38	57	2,9	7,2	1,1	210	8,0	85	180	950	F	5.6x.7	6	2
125	38	57	2,9	7,2	1,1	210	8,0	85	180	1050	F	5.6x.7	6	2
150	70	105	5,3	5,7	0,8	300	8,5	85	280	1550	F	5.8x.7	6	4
200	70	105	5,3	5,7	0,8	300	8,5	85	280	1700	F	5.8x.7	6	4
250	76	114	5,7	8,3	0,6	320	9,0	100	280	2100	F	5.9x.7	6	5
300	76	114	5,7	8,3	0,6	320	9,0	100	280	2400	F	5.9x.7	6	5
Urms = 690V				Un ac = 990V				Un dc =1350V		Us=2600V				
10	20	30	1,0	1,8	2,2	160	5,0	55	150	310	A / C	6.0x.y	21	1
15	20	30	1,0	1,8	2,2	160	5,0	55	150	350	A / C	6.0x.y	21	1
20	22	33	1,1	2,8	1,8	170	5,0	65	150	500	A / C	6.1x.y	16	1
30	26	39	1,3	2,9	1,7	180	5,0	65	165	560	A / C	6.2x.y	16	1
40	30	45	1,5	4,0	1,3	200	5,5	75	180	780	F	6.3x.7	6	2
50	30	45	1,5	4,0	1,3	200	5,5	75	180	850	F	6.3x.7	6	2
70	34	51	1,7	4,9	1,0	210	6,0	85	210	1150	F	6.5x.7	6	3
85	36	54	1,8	5,5	0,9	220	6,5	90	210	1400	F	6.6x.7	6	3
100	38	57	1,9	7,1	0,8	220	7,0	100	210	1680	F	6.7x.7	6	5
125	40	60	2,0	4,2	0,7	300	7,5	90	280	1860	F	6.8x.7	6	4
150	45	68	2,3	5,3	0,6	300	8,0	100	280	2150	F	6.9x.7	6	5
175	45	68	2,3	5,3	0,6	300	8,0	100	280	2360	F	6.9x.7	6	5
Urms = 930V				Un ac = 1300V				Un dc =1700V		Us=3250V				
10	18	27	0,9	1,2	2,2	160	4,5	55	150	360	A / C	9.0x.y	21	1
15	20	30	1,0	1,8	1,8	170	4,7	65	150	480	A / C	9.1x.y	16	1
20	22	33	1,1	1,8	1,7	180	5,0	65	165	550	A / C	9.2x.y	16	1
30	24	36	1,2	2,6	1,3	200	5,3	75	180	840	F	9.3x.7	6	2
35	28	42	1,4	2,3	1,1	210	5,5	75	210	980	F	9.4x.7	6	3
40	30	45	1,5	3,1	1,0	210	5,5	85	210	1150	F	9.5x.7	6	3
45	30	45	1,5	3,1	1,0	210	5,5	85	210	1220	F	9.5x.7	6	3
50	30	45	1,5	3,1	1,0	210	5,5	85	210	1280	F	9.5x.7	6	3
55	34	51	1,7	3,5	0,9	220	5,7	90	210	1380	F	9.6x.7	6	3
70	38	57	1,9	4,5	0,8	220	5,7	100	210	1720	F	9.7x.7	6	5
85	42	63	2,1	2,7	0,7	300	6,0	90	280	1840	F	9.8x.7	6	4
100	45	68	2,3	3,4	0,6	300	6,5	100	280	2250	F	9.9x.7	6	5

(Cn) standard values, other values on request.

Code "x": internal reference. Code "y": mechanical solution.

(*) The maximum rms current is referring to A or F solutions. Imax ≤ 16A for C solution.

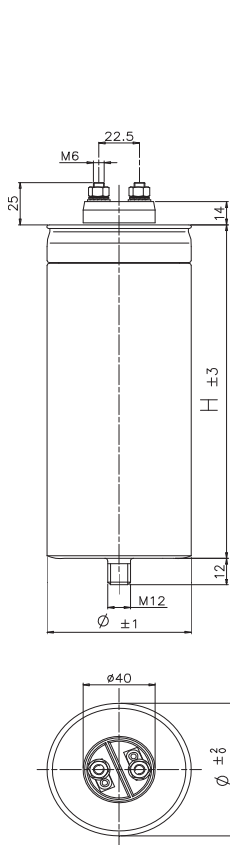
Box TYPE	Standard box dimensions
1	mm 250 x 386 x 190
2	mm 190 x 285 x 265
3	mm 190 x 285 x 325
4	mm 190 x 285 x 375
5	mm 335 x 220 x 375

Power Electronics Capacitors

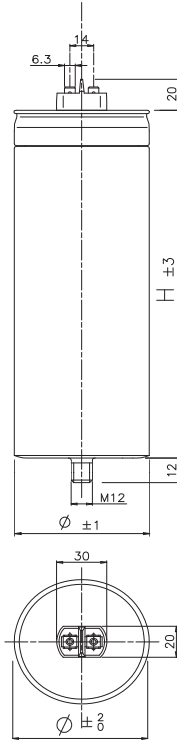
GENERAL PURPOSE CAPACITORS

GP 84 Series

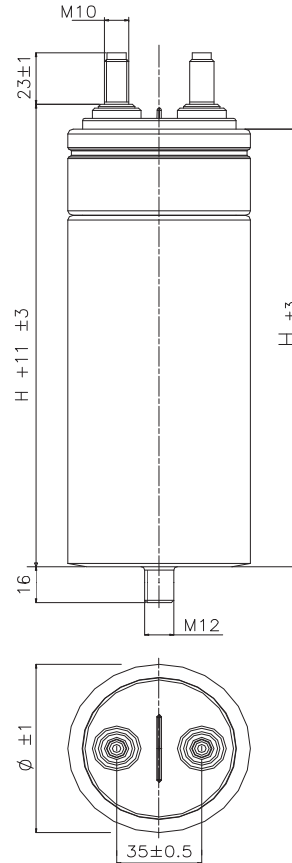
Mechanical Configurations



A solution
M6 Screw-type bolts
CODE: 41684.xxx.0
Code "y" = 0



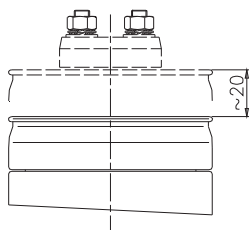
C solution
Double tag 6,3x0,8 mm
CODE: 41684.xxx.2
Code "y" = 2



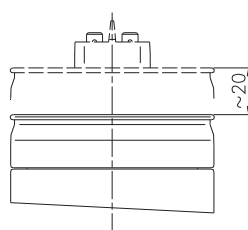
F solution
M10 Screw-type bolts
CODE: 41684.xxx.7

Overpressure safety device

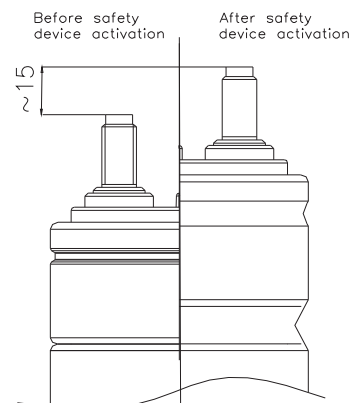
In order to ensure proper device operation, when the capacitor is installed, a clearance of at least the values given on drawing below must be left above terminals.



Dimension with overpressure device activated



Dimension with overpressure device activated



Dimension with overpressure device activated



Power Electronics Capacitors

DC CAPACITORS

DC SERIES - DC-link capacitor

Capacitors for power inverter in railway, welding and special applications by energy storage and filtering.

FEATURES

- Plastic, steel and aluminium case/can
- Dry type
- Internal thread or screw type bolts terminals
- DC voltage

TYPICAL APPLICATIONS

- Traction and railway filtering
- DC filtering
- Welding
- Special inverter




<i>GENERAL CHARACTERISTICS</i>	
Rated DC voltage	DC 500÷6800V (*)
Capacitance range	60÷15000 μ F (*)
Capacitance tolerance	+0% - 15%
Test voltage between terminals	1,5xUn 10s
Test voltage between terminals and case	3KVac 50Hz - 10s
Terminals	2 x M6 internal threads or 2 x M10 screw-type bolts
Operating Temperature	-25 / +75 °C
Protection degree	IP 00
Filling	Self-extinguishing (V0) polyurethane resin
Dielectric	Self healing MKP dielectric with high performances (PPMd)
Case	Cylindrical aluminum case, self-extinguishing (V0) plastic box or stainless steel case
Life expectancy	100.000h
Installation	Vertical / horizontal
Reference standard	Standards IEC 1071-1/2; IEC 1881; UL 810
Approvals	UL-CSA

(*) Standard values, other values on request

DC CAPACITORS



DC 85 C SERIES: **Dc - Link Capacitors in cylindrical can**

Maximum rated DC Voltage	1800 V
Maximum ripple voltage	1150 V
Maximum ripple current	100 A
Capacitance range	Up to 4450 µF
Capacitance Tolerance	+0 -15%
Series resistance (Rs)	< 4,5 mΩ
Maximum Voltage rate of rise (dV/dT)	≤ 40 V/µs
Terminals	M6 internal threads M8 screw types bolts
Voltage test	U _{tc} = 3,5 kVac @50Hz 10s U _{tt} = 1,5 x Un dc 10s
Climatic Ambient Temperature	-25 / + 45 °C
Operating temperature (θ _{MIN} – θ _{MAX})	-25 / + 75 °C
Storage temperature	-25 / + 85 °C
Filling	Dry polyurethane resin
Dielectric	Self healing PPMd film
Cylindrical case	Aluminum
Failure quota	300/10E9
Life expectancy	100.000h
Maximum altitude	2000m a.s.l.
Reference standard	IEC 1071-1/2 IEC 1881 UL 810
Approvals	UL-CSA c  US
Driving torque for M6 Internal thread terminals	3 Nm
Driving torque for M8 screw type bolts terminals	6 Nm
Driving torque for M12 fixing bolt	12 Nm

Safety system: This capacitors are designed with a particular type of polypropylene metalized film (PPMd film) that assures an open circuit at the end of life, if the operation is within the specification.

Power Electronics Capacitors

DC CAPACITORS

DC 85 C Series

Capacitance Cn [uF]	Diameter Ø [mm]	Height H [mm]	Max. RMS Current I _{MAX} [A]	Repet. Peak Current Ip [A]	Surge Current Is [kA]	Series Resistance Rs [mΩ]	Thermal Resistance R _{THC} [°C/W]	Series Inductance Lesr [nH]	Weight [Kg]	Pcs. X Box Box type	Part. number 416.85.
Un [V] = 550Vdc			Ur [V] = 230V			Up [V] = 850V			Us [V] = 1160V		
500	75	105	25	1500	5,0	3,8	5,4	< 45	0,6	12 - A	L09.x
760	75	140	30	2200	6,5	3,6	4,8	< 50	0,8	6 - B	L19.x
870	75	155	35	2200	7,0	3,0	4,6	< 60	0,9	6 - B	L29.x
1.000	85	140	35	3000	7,5	2,9	4,2	< 50	1,0	6 - B	L39.x
1.150	85	155	40	3000	9,0	2,7	3,6	< 60	1,1	6 - B	L49.x
1.850	100	185	65	3700	11,0	1,6	2,6	< 60	1,8	6 - C	L55.x
2.550	116	185	70	4000	12,0	1,4	2,3	< 60	2,3	4 - G	L59.X
2.800	100	255	70	4200	13,0	1,2	2,3	< 75	2,4	6 - D	L69.x
3.900	116	255	75	5800	15,0	1,0	2,1	< 75	3,2	4 - G	L79.x
4.450	116	285	80	6700	18,0	0,8	1,7	< 80	3,6	4 - G	L89.x
Un [V] = 700VDC			Ur [V] = 320V			Up [V] = 1050V			Us [V] = 1470V		
370	75	105	28	2200	6,6	3,9	5,4	< 45	0,6	12 - A	009.x
560	75	140	30	2800	8,4	3,7	4,8	< 50	0,8	6 - B	019.x
640	75	155	35	3200	9,6	3,2	4,6	< 60	0,9	6 - B	029.x
740	85	140	35	3300	10,0	3,1	4,2	< 50	1,0	6 - B	039.x
850	85	155	40	3800	11,5	2,9	3,6	< 60	1,1	6 - B	049.x
1.350	100	185	65	5400	16,0	1,8	2,6	< 60	1,8	6 - C	055.x
1.900	116	185	70	6600	20,0	1,7	2,3	< 60	2,3	4 - G	059.x
2.350	100	255	70	7000	21,0	1,6	2,3	< 75	2,4	6 - D	069.x
2.850	116	255	75	7100	21,0	1,3	2,1	< 75	3,2	4 - G	079.x
3.300	116	285	85	8200	24,5	1,2	1,7	< 80	3,5	4 - G	089.x
Un [V] = 900VDC			Ur [V] = 550V			Up [V] = 1350V			Us [V] = 1900V		
280	75	105	30	2200	6,7	4,1	5,4	< 45	0,7	12 - A	119.x
430	75	140	35	2400	7,1	3,8	4,8	< 50	0,8	6 - B	139.x
570	85	140	35	3400	10,3	3,6	4,2	< 50	1,0	6 - B	149.x
650	85	155	40	3900	11,7	3,5	3,6	< 60	1,1	6 - B	169.x
1.050	100	185	65	5300	15,8	2,2	2,6	< 70	1,8	6 - C	179.x
1.450	116	185	70	7300	21,8	2,0	2,3	< 70	2,3	4 - G	185.x
1.550	100	255	70	7800	23,3	1,9	2,3	< 75	2,4	6 - D	189.x
1.800	100	285	75	8100	24,3	1,8	2,2	< 80	2,6	6 - E	191.x
2.200	116	255	75	9900	29,7	1,4	2,1	< 75	3,1	4 - G	193.x
2.350	100	373	100	10500	31,7	1,2	1,8	< 90	3,4	6 - F	195.x
2.500	116	285	85	10000	30,0	1,5	1,7	< 80	3,5	4 - G	197.x
3.300	116	373	100	11550	30,0	1,1	1,6	< 90	4,6	4 - H	199.x
Un [V] = 1100VDC			Ur [V] = 700V			Up [V] = 1650V			Us [V] = 2300V		
180	75	105	30	2160	6,5	4,2	5,4	< 45	0,6	12 - A	219.X
270	75	140	35	3240	9,7	3,9	4,8	< 50	0,8	6 - B	229.X
370	85	140	35	3960	11,9	3,7	4,2	< 50	1,0	6 - B	239.X
420	85	155	40	4200	12,6	3,6	3,6	< 60	1,1	6 - B	250.X
650	100	185	65	5850	17,6	2,3	2,6	< 70	1,8	6 - C	260.X
900	116	185	70	8100	24,3	2,1	2,3	< 70	2,3	4 - G	265.X
1.000	100	255	70	8500	25,5	2,0	2,3	< 75	2,4	6 - D	270.X
1.200	100	285	75	9200	27,6	1,9	2,2	< 80	2,6	6 - E	280.X
1.400	116	255	75	11900	30,0	1,7	2,1	< 75	3,2	4 - G	285.X
1.500	100	373	100	13500	32,0	1,3	1,8	< 90	3,4	6 - F	289.X
1.600	116	285	85	12800	32,0	1,7	1,7	< 80	3,5	4 - G	293.X
2.400	116	373	100	14400	32,0	1,3	1,6	< 90	4,4	4 - H	298.X

Power Electronics Capacitors

DC CAPACITORS

DC 85 C Series

Capacitance Cn [uF]	Diameter Ø [mm]	Height H [mm]	Max. RMS Current I _{MAX} [A]	Repet. Peak Current Ip [A]	Surge Current Is [kA]	Series Resistance Rs [mΩ]	Thermal Resistance R _{THC} [°C/W]	Series Inductance Lesr [nH]	Weight [Kg]	Pcs. X Box Box type	Part. number 416.85.
Un [V] = 1300VDC			Ur [V] = 850V			Up [V] = 1950V		Us [V] = 2700V			
120	75	105	30	2160	6,5	4,3	5,4	< 45	0,6	12 - A	319.x
180	75	140	35	3240	9,7	4,0	4,8	< 50	0,8	6 - B	320.x
250	85	140	35	4000	12,0	3,9	4,2	< 50	1,0	6 - B	330.x
300	85	155	40	4480	13,5	3,7	3,6	< 60	1,1	6 - B	340.x
470	100	185	65	7200	21,6	2,3	2,6	< 70	1,8	6 - C	350.x
650	116	185	70	9750	29,5	2,2	2,3	< 70	2,3	4 - G	355.x
700	100	255	70	9800	30,0	2,1	2,3	< 75	2,4	6 - D	360.x
800	100	285	75	11200	32,0	2,0	2,2	< 80	3,1	6 - E	370.x
980	116	255	75	12740	32,0	1,8	2,1	< 75	3,2	4 - G	375.x
1.000	100	373	100	12600	32,0	1,3	1,8	< 90	3,5	6 - F	399.x
1.150	116	285	85	13800	32,0	1,8	1,7	< 80	3,6	4 - G	385.x
1.450	116	373	100	14500	32,0	1,4	1,6	< 90	4,6	4 - H	388.x
Un [V] = 1550VDC			Ur [V] = 990V			Up [V] = 2300V		Us [V] = 3000V			
90	75	105	30	2250	6,5	4,4	5,4	< 45	0,6	12 - A	419.x
140	75	140	35	2940	9,7	4,1	4,8	< 50	0,8	6 - B	420.x
180	85	140	35	3600	12,0	4,0	4,2	< 50	1,0	6 - B	430.x
200	85	155	40	4200	13,5	3,8	3,6	< 60	1,1	6 - B	440.x
350	100	185	65	7000	21,6	2,3	2,6	< 70	2,2	6 - C	450.x
470	116	185	70	8460	29,5	2,3	2,3	< 70	2,3	4 - G	455.x
500	100	255	70	9000	30,0	2,2	2,3	< 75	2,4	6 - D	460.x
600	100	285	75	9600	32,0	2,0	2,2	< 80	2,6	6 - E	470.x
700	116	255	75	11200	32,0	1,9	2,1	< 75	3,2	4 - G	475.x
750	100	373	100	12000	32,0	1,4	1,8	< 90	3,3	6 - F	480.x
820	116	285	85	13120	32,0	1,9	1,7	< 80	3,7	4 - G	485.x
1.050	116	373	100	14700	32,0	1,4	1,6	< 90	4,6	4 - H	498.x
Un [V] = 1800VDC			Ur [V] = 1150V			Up [V] = 2700V		Us [V] = 3000V			
60	75	105	30	2100	6,5	4,5	5,4	< 45	0,6	12 - A	510.x
100	75	140	35	3000	9,7	4,2	4,8	< 50	0,8	6 - B	520.x
135	85	140	35	3375	12,0	4,1	4,2	< 50	1,0	6 - B	530.x
150	85	155	40	3450	13,5	3,9	3,6	< 60	1,1	6 - B	540.x
240	100	185	65	4800	21,6	2,3	2,6	< 70	1,8	6 - C	550.x
340	116	185	70	6800	29,5	2,2	2,3	< 70	2,2	4 - G	555.x
370	100	255	70	7400	30,0	2,1	2,3	< 75	2,3	6 - D	560.x
430	100	285	75	9600	32,0	2,0	2,2	< 80	2,6	6 - E	570.x
530	116	255	75	10750	32,0	2,0	2,1	< 75	3,3	4 - G	575.x
560	100	373	100	11500	32,0	1,4	1,8	< 90	3,5	6 - F	580.x
610	116	285	85	12500	32,0	1,9	1,7	< 80	3,6	4 - G	585.x
800	116	373	100	14400	32,0	1,5	1,6	< 90	4,6	4 - H	598.x

(Cn) Tolerance standard value: -15 .. +0%. Other tolerance values on request.

(Cn) - (Un) Capacitance and rated voltage standard values, other values on request.

(Ur) Maximum peak to peak alternating voltage component on the DC working voltage

(Rs) Related to 1KHz.

(R_{THC}) Thermal resistance CASE TO AMBIENT in natural cooling environment.

(Imax) Maximum RMS current, referred to ambient temperature of 50°C (natural cooling) and a working frequency of 1KHz.

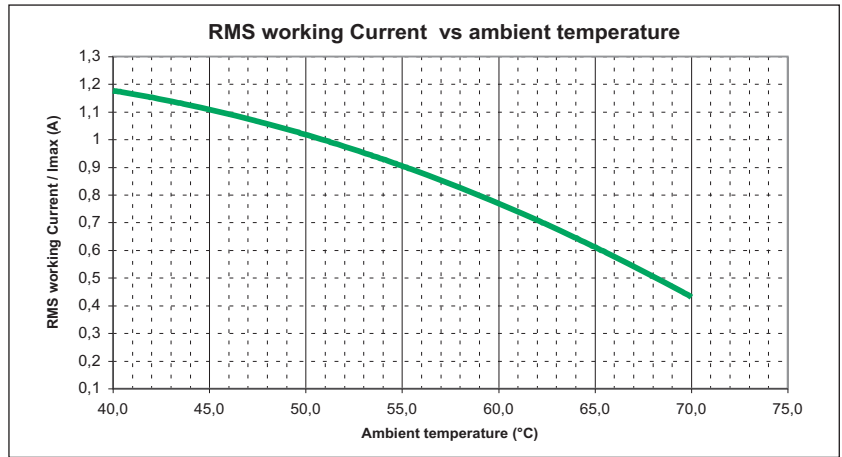
In case of different temperature, see diagram below.

(x code) According to the terminal type: x = 0 → A SOLUTION (internal thread M6) / x = 1 → B SOLUTION (M8 screw type bolts).

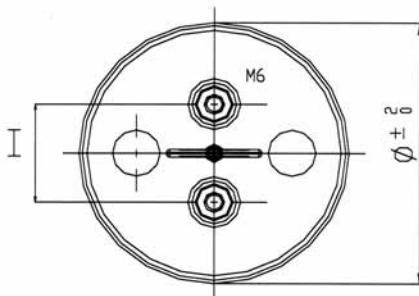
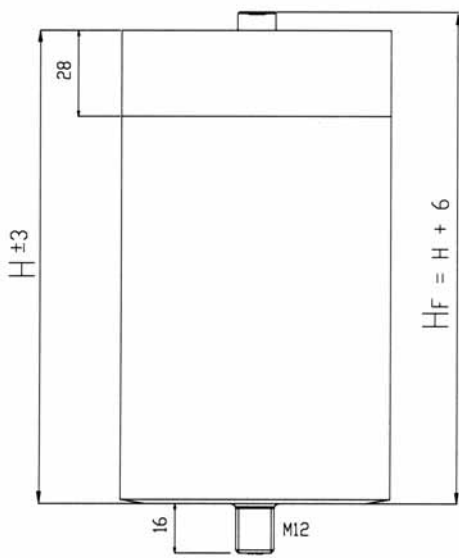
DC CAPACITORS

DC 85 C Series

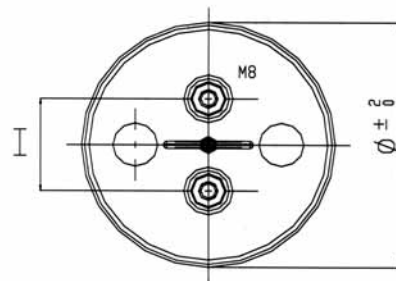
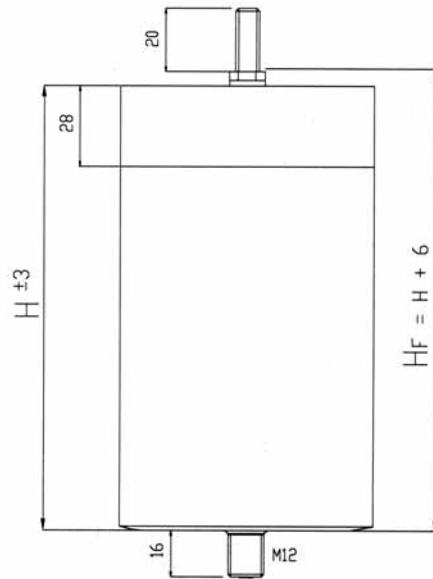
Box Type	Box Type Dimensions
A	mm 190 x 285 x 280
B	mm 190 x 285 x 200
C	mm 220 x 335 x 265
D	mm 220 x 335 x 325
E	mm 220 x 335 x 375
F	mm 220 x 335 x 450
G	mm 270 x 270 x 380
H	mm 270 x 270 x 450



Mechanical Configurations



A solution
Internal Thread M6
Code "x" = 0

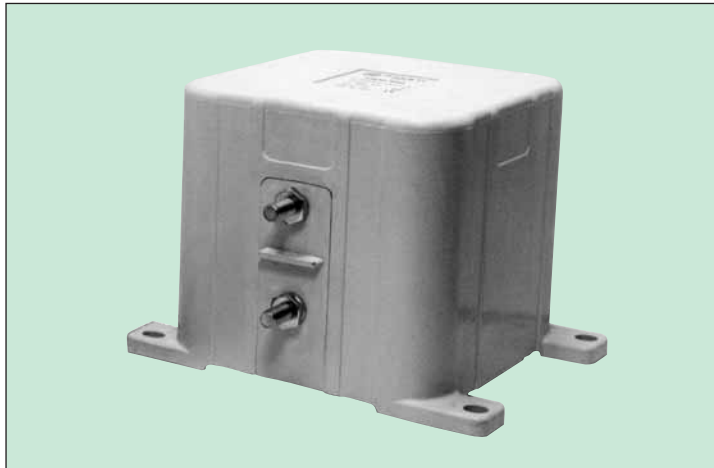


B solution
M8 Screw-type bolts
Code "x" = 1


	Ø CAP. [mm]	l [mm]
	75 ÷ 100	32 ± 0,5
	116	50 ± 0,5

Power Electronics Capacitors

DC CAPACITORS



DC 85 B SERIES: Dc - Link Capacitors on cubic box

Maximum rated DC Voltage	6000 V
Maximum ripple current	120 A
Capacitance range	Up to 3800 μ F
Capacitance tolerance	+0 -15%
Series resistance (RS)	< 5 m Ω
Thermal resistance natural cooling (R _{THC})	2,0 °C/W
Equivalent series inductance (L _{ESR})	< 30 nH
Terminals	M10 screw-type bolts
Test voltage	U _{tt} = 1,5 x U _n dc 10s
Climatic Ambient Temperature	-25 / + 45 °C
Operating temperature (θ_{MIN} – θ_{MAX})	-25 / + 75 °C
Storage temperature	-25 / + 85 °C
Filling	Self-extinguishing (UL94 V0) polyurethane resin
Dielectric	Self healing PPMd film
Container	Self-extinguishing (UL94 V0) plastic box
Failure quota	300/10E9
Life expectancy	100.000h
Maximum altitude	2000m a.s.l.
Reference standard	IEC 1071-1/2 IEC 1881 UL 810
Approvals	UL-CSA 
Driving torque for M10 screw-type bolts	10 Nm
Driving torque for fixing bolt	11 Nm

Safety system: This capacitors are designed with a particular type of polypropylene metalized film (PPMd film) that assures an open circuit at the end of life, if the operation is within the specification.

Power Electronics Capacitors

DC CAPACITORS

DC 85 B Series

Capacitance Cn [uF]	Rated DC Voltage Un [V]	Repet. Peak Voltage Up [KV]	Surge Voltage Us [KV]	Max. RMS Current Imax [A]	Repet. Peak Current Ip [A]	Surge Current Is [kA]	Series Resistance Rs [mΩ]	Thermal Resistance RTHC [°C/W]	Weight [kg]	Terminal solution A / B	Part number 416.85.
3.800	550	0,8	1,2	120	9800	25	< 0,80	1,65	< 5,0	A / B	001.X
2.800	650	1,0	1,4	120	9300	25	< 0,80	1,65	< 5,0	A / B	005.X
2.250	750	1,1	1,6	120	9500	25	< 0,80	1,65	< 5,0	A / B	090.X
1.500	900	1,4	1,9	120	9500	25	< 0,80	1,65	< 5,0	A / B	190.X
1.200	1100	1,7	2,3	120	9600	25	< 0,80	1,65	< 5,0	A / B	290.X
1.000	1250	1,9	2,6	120	9000	20	< 0,85	1,65	< 5,0	A / B	390.X
800	1350	2,0	2,9	100	8800	20	< 1,20	1,65	< 5,0	A / B	405.X
750	1450	2,2	3,0	100	8500	20	< 1,20	1,65	< 5,0	A / B	490.X
420	1800	2,7	3,8	100	8200	15	< 1,20	1,65	< 5,0	A / B	590.X
280	2200	3,3	4,6	80	7000	15	< 1,80	1,65	< 5,0	A / B	690.X
180	2800	4,2	5,8	80	6300	15	< 1,90	1,65	< 5,0	A / B	790.X
80	4000	6,0	8,5	60	4000	10	< 3,20	1,65	< 5,0	A / B	890.X
50	5000	7,5	10,0	50	3500	10	< 4,60	1,65	< 5,0	A / B	990.X
40	5500	8,3	10,0	40	3200	8	< 7,50	1,65	< 5,0	A / B	A90.X
30	6000	9,0	10,0	35	2700	8	< 8,20	1,65	< 5,0	A / B	B90.X

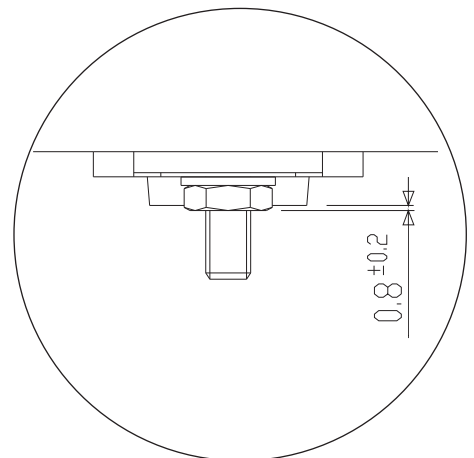
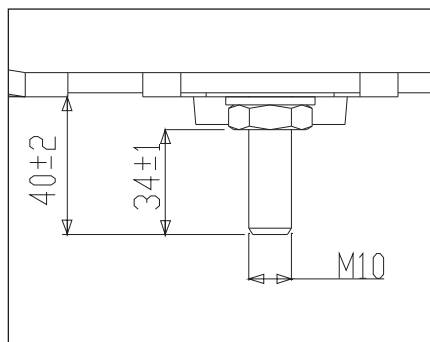
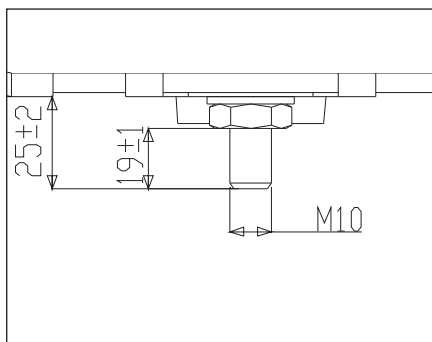
- (Cn) Tolerance standard value: -15 + 0%. Other tolerance values on request.
 (Cn) - (Un) Capacitance and rated voltage standard values, other values on request.
 (Rs) Related to 1KHz.
 (RTHC) Thermal resistance CASE TO AMBIENT in natural cooling environment
 (A/B solut.) .X = "5" for A solution (M10 terminals on surface without handles) / .X = "6" for B solution (M10 terminals on handle surface)"

Box TYPE	
Standard box dimensions	mm 450 x 470 x 220
No. pieces x box:	4

TERMINAL TYPES

Standard length value for M10 terminals:

- 19 mm
- 34 mm



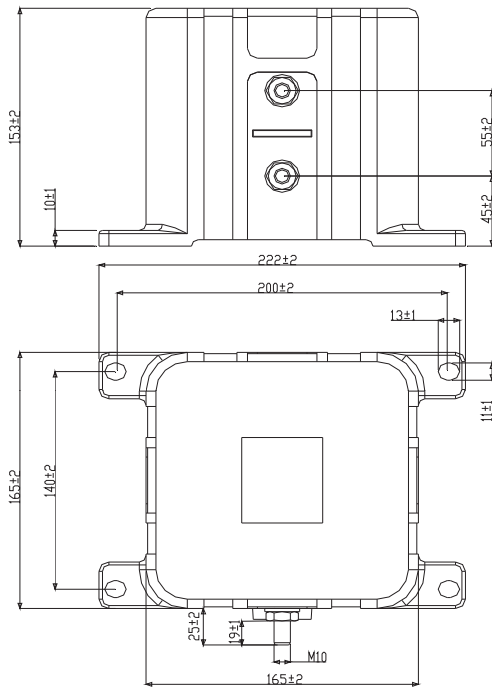
DC CAPACITORS

DC 85 B Series

TERMINAL SOLUTIONS:

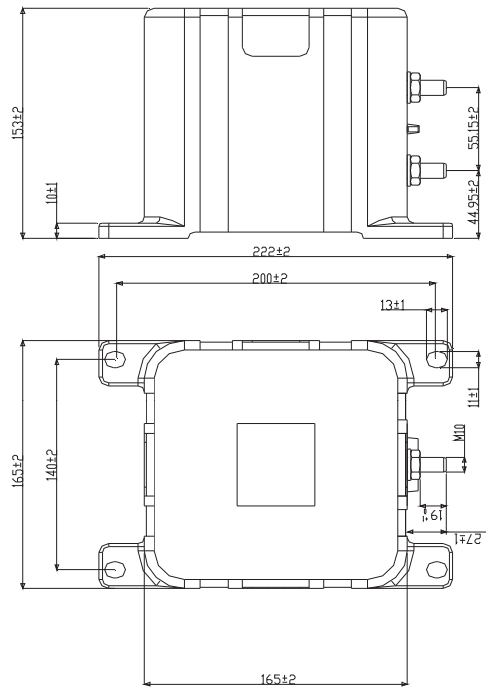
A SOLUTION:
41685.xxx.5

M10 terminals on surface without handles

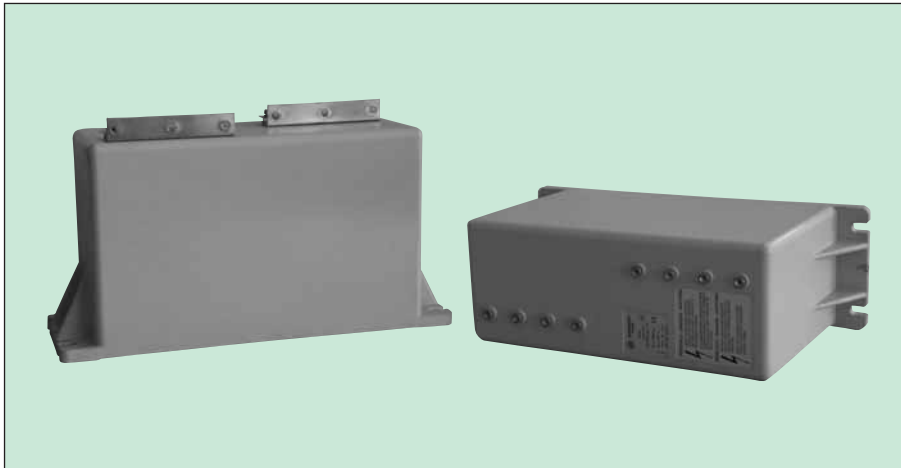


B SOLUTION:
41685.xxx.6


M10 terminals on handle surface



DC CAPACITORS



DC 86 P SERIES: **Dc - Link Capacitors in prismatic box**

Maximum rated DC Voltage	6800 V
Maximum ripple current	300 A
Capacitance range	Up to 15000 μ F
Capacitance tolerance	+0 -15%
Thermal resistance natural cooling (R_{THC})	0,52 $^{\circ}$ C/W
Equivalent series inductance (L_{ESR})	< 45 nH
Terminals	4 x M6 internal threads per pole or bus-bars
Test voltage	U_{tc} = 12 kVac @50Hz 60s U_{tt} = 1,5 x U_n dc 10s
Climatic Ambient Temperature	-25 / + 45 $^{\circ}$ C
Operating temperature (θ_{MIN} – θ_{MAX})	-25 / + 75 $^{\circ}$ C
Storage temperature	-25 / + 85 $^{\circ}$ C
Filling	Self-extinguishing (UL94 V0) polyurethane resin
Dielectric	Self healing PPMd film
Container	Self-extinguishing (UL94 V0) plastic box
Failure quota	300/10E9
Life expectancy	100.000h
Maximum altitude	2000m a.s.l.
Reference standard	IEC 1071-1/2 IEC 1881 UL 810
Approvals	UL-CSA  [®] _{US}
Driving torque for A / B solutions	4 Nm / 2,5 Nm
Driving torque on handle slot	10 Nm

Safety system: This capacitors are designed with a particular type of polypropylene metalized film (PPMd film) that assures an open circuit at the end of life, if the operation is within the specification.

Power Electronics Capacitors

DC CAPACITORS

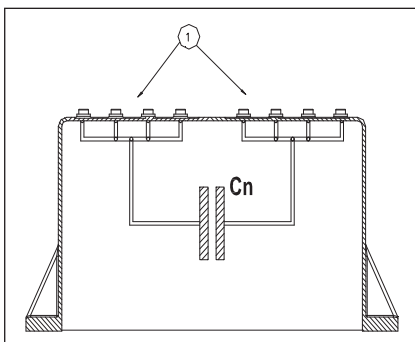
DC 86 P Series

Capacitance Cn [uF]	Rated DC Voltage Un [V]	Repet. Peak Voltage Up [KV]	Surge Voltage Us [KV]	Max. RMS Current Imax [A]	Repet. Peak Current Ip [A]	Surge Current Is [kA]	Series Resistance Rs [mΩ]	Thermal Resistance R _{THC} [°C/W]	Weight [kg]	Terminal solution A / B	Part number 416.85.
15.000	550	0,8	1,3	300	34500	45	< 0,30	0,52	< 19,0	A / B	009.X
11.000	650	1,0	1,5	300	30800	45	< 0,30	0,52	< 19,0	A / B	109.X
8.500	800	1,2	1,8	300	28050	45	< 0,30	0,52	< 19,0	A / B	159.X
5.600	1000	1,5	2,3	250	26880	40	< 0,45	0,52	< 19,0	A / B	209.X
3.800	1200	1,8	2,8	250	22800	40	< 0,50	0,52	< 19,0	A / B	259.X
2.800	1350	2,0	3,1	250	22400	40	< 0,50	0,52	< 19,0	A / B	309.X
2.100	1600	2,4	3,7	200	21000	40	< 0,65	0,52	< 19,0	A / B	359.X
1.700	1800	2,7	4,1	200	20400	40	< 0,70	0,52	< 19,0	A / B	409.X
1.050	2100	3,1	4,8	200	19950	40	< 0,70	0,52	< 19,0	A / B	459.X
650	2700	4,0	6,2	200	19500	35	< 0,75	0,52	< 19,0	A / B	508.X
500	3200	4,8	7,4	200	17500	35	< 0,75	0,52	< 19,0	A / B	559.X
300	3800	5,7	8,7	200	13500	35	< 0,75	0,52	< 19,0	A / B	609.X
200	4500	6,7	10,0	150	13000	30	< 1,20	0,52	< 19,0	A	659.0
160	5200	7,8	10,0	150	11200	30	< 1,20	0,52	< 19,0	A	709.0
120	6000	9,0	10,0	150	10800	25	< 1,40	0,52	< 19,0	A	759.0
80	6800	10,0	10,0	120	9600	20	< 1,50	0,52	< 19,0	A	809.0

- (Cn) Tolerance standard value: -15 + 0%. Other tolerance values on request.
 (Cn) - (Un) Capacitance and rated voltage standard values, other values on request.
 (Rs) Related to 1KHz.
 (R_{THC}) Thermal resistance CASE TO AMBIENT in natural cooling environment.
 (A/B solut.) Due to the clearance distance, B solution (X code = 1) is available only up to Un = 3800V (Rated Voltage).
 (X Code) According to terminal type: A solution X = 0 / B solution X 0 !.

Box TYPE	
Standard box dimensions	mm 477 x 252 x 172
No. pieces x box:	1

INTERNAL CONNECTION:



① NOTE:

For A Solution: please, pay attention to connect all of the four M6 internal thread terminals for each polarity.

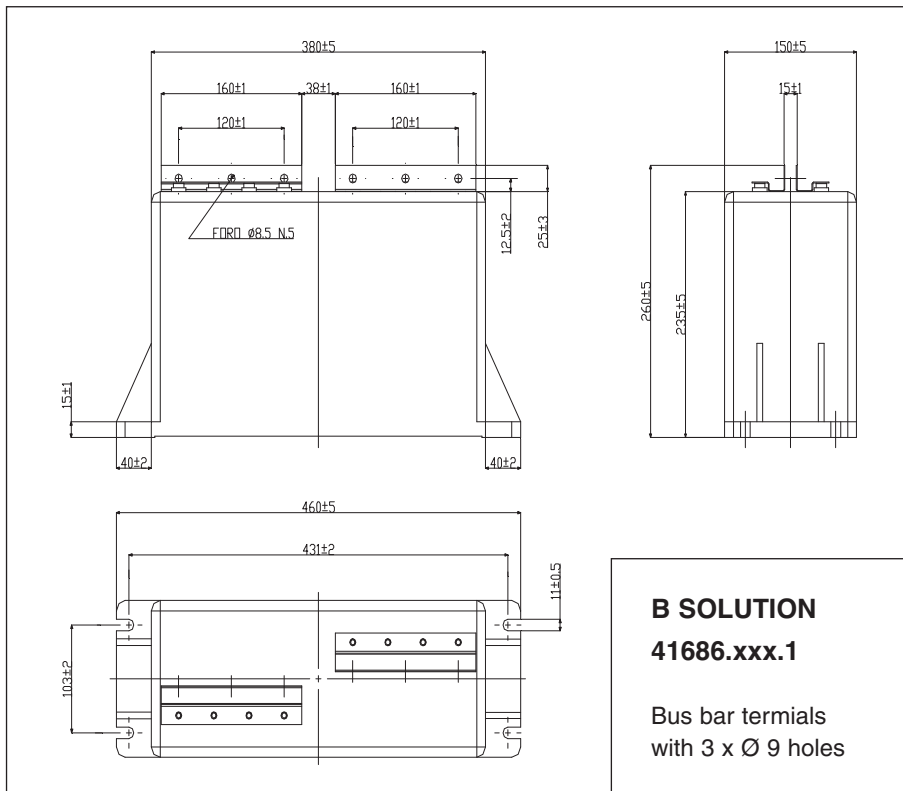
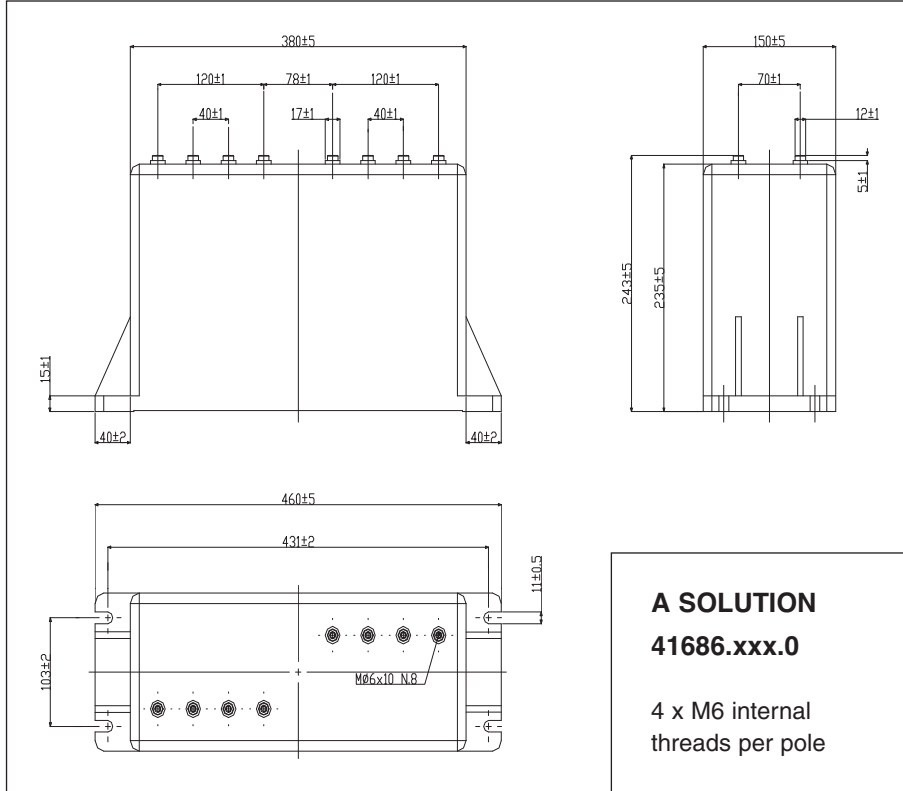
	A solution (41686.xxx.0)	B solution (41686.xxx.1)
Creepage distance (mm)	100	40
Clearance distance (mm)	93	41

Power Electronics Capacitors

DC CAPACITORS

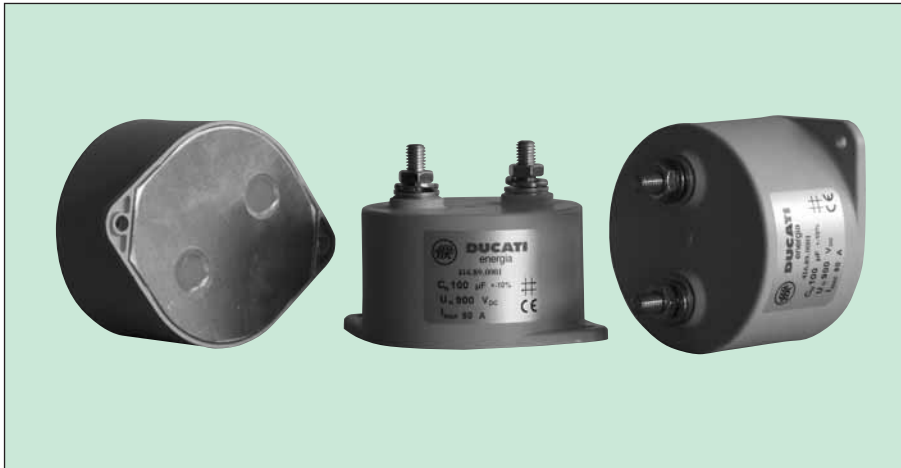
DC 86 P Series

MECHANICAL SOLUTIONS:




Power Electronics Capacitors

DC CAPACITORS



DC 89 HC SERIES: High current, low inductance in cylindrical plastic case, optimised for heatsink mounting

Maximum rated DC Voltage	1800 V
Maximum ripple current	100 A
Maximum working frequency	10 kHz
Capacitance range	Up to 280 μ F
Capacitance tolerance	$\pm 10\%$
Terminals	M8 screw-type bolts
Test voltage	$U_{tc} = 3,0 \text{ kVac @} 50\text{Hz } 60\text{s}$ $U_{tt} = 1,5 \times U_n \text{ dc } 10\text{s}$
Climatic Ambient Temperature	-25 / + 45 °C
Operating temperature ($\theta_{MIN} - \theta_{MAX}$)	-25 / + 80 °C
Storage temperature	-25 / + 85 °C
Filling	Polyurethane resin
Dielectric	Self healing PPM film
Container	Self-extinguishing (UL94 V0) plastic box
Failure quota	300/10E9
Life expectancy	100.000h
Maximum altitude	2000m a.s.l.
Reference standard	IEC 1071-1/2 IEC 1881 UL 810
Approvals	UL-CSA  US
Driving torque for M8 screw-type bolts	5 Nm

Power Electronics Capacitors

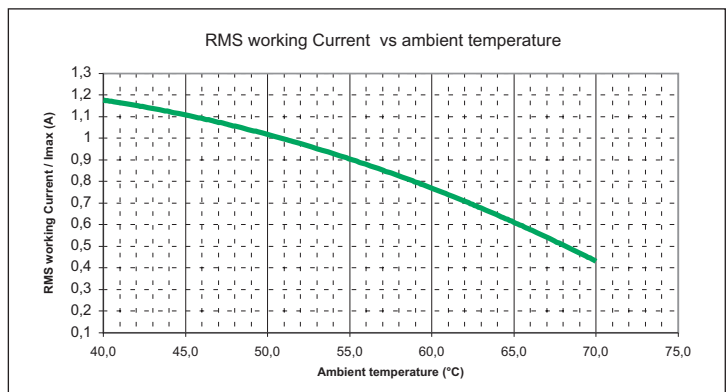
DC CAPACITORS

DC 89 HC Series

Capacitance Cn [uF]	Height H [mm]	Repet. Peak Voltage Up [KV]	Surge Voltage Us [KV]	Max. RMS Current I _{MAX} [A]	Repet Peak Current Ip [A]	Surge Current Is [kA]	Series Resistance Rs [m_]	Thermal Resistance R _{THC} [°C/W]	Series Inductance Lesr [nH]	Part number 416.89.
Un [V] = 500VDC										
130	40	0,75	1,00	100	8500	12,7	0,60	4,8	< 25	0520
200	51	0,75	1,00	85	7000	10,5	0,75	5,7	< 30	0550
280	64	0,75	1,00	70	6200	9,3	0,80	7,8	< 40	0590
Un [V] = 700VDC										
100	40	1,05	1,40	90	7500	11,3	0,75	4,8	< 25	0720
160	51	1,05	1,40	80	7200	10,8	0,85	5,7	< 30	0750
220	64	1,05	1,40	65	6600	9,9	0,90	7,8	< 40	0790
Un [V] = 900VDC										
70	40	1,35	1,80	85	5250	7,8	0,85	4,8	< 25	0920
100	51	1,35	1,80	75	4700	7,1	0,95	5,7	< 30	0950
150	64	1,35	1,80	60	4500	6,8	1,10	7,8	< 40	0990
Un [V] = 1100VDC										
45	40	1,65	2,20	80	4750	7,2	0,95	4,8	< 25	1120
75	51	1,65	2,20	65	4550	6,8	1,20	5,7	< 30	1150
110	64	1,65	2,20	55	4400	6,6	1,25	7,8	< 40	1190
Un [V] = 1250VDC										
35	40	1,90	2,50	75	4200	6,3	1,20	4,8	< 25	1220
55	51	1,90	2,50	65	4200	6,4	1,25	5,7	< 30	1250
80	64	1,90	2,50	55	4000	6,0	1,30	7,8	< 40	1290
Un [V] = 1450VDC										
25	40	2,20	2,90	70	3380	5,1	1,30	4,8	< 25	1420
40	51	2,20	2,90	60	3200	4,8	1,45	5,7	< 30	1450
55	64	2,20	2,90	50	3050	4,5	1,55	7,8	< 40	1490
Un [V] = 1800VDC										
10	40	2,70	3,60	65	2200	3,3	1,40	4,8	< 25	1820
20	51	2,70	3,60	55	2150	3,2	1,60	5,7	< 30	1850
30	64	2,70	3,60	45	1950	2,9	1,80	7,8	< 40	1890

- (Cn) Tolerance standard value: $\pm 10\%$. Other tolerance values on request.
 (Cn) - (Un) Capacitance and rated voltage standard values, other values on request.
 (Rs) Related to 1KHz.
 (R_{THC}) Thermal resistance CASE TO AMBIENT in natural cooling environment. In order to decrease the thermal resistance, install the capacitors on a heatsink (with conductive paste) through the optimised bottom aluminum plate.
 (I_{max}) Maximum RMS current, referred to an ambient temperature of 50°C, natural cooling.
 In case of different temperature, see diagram below:

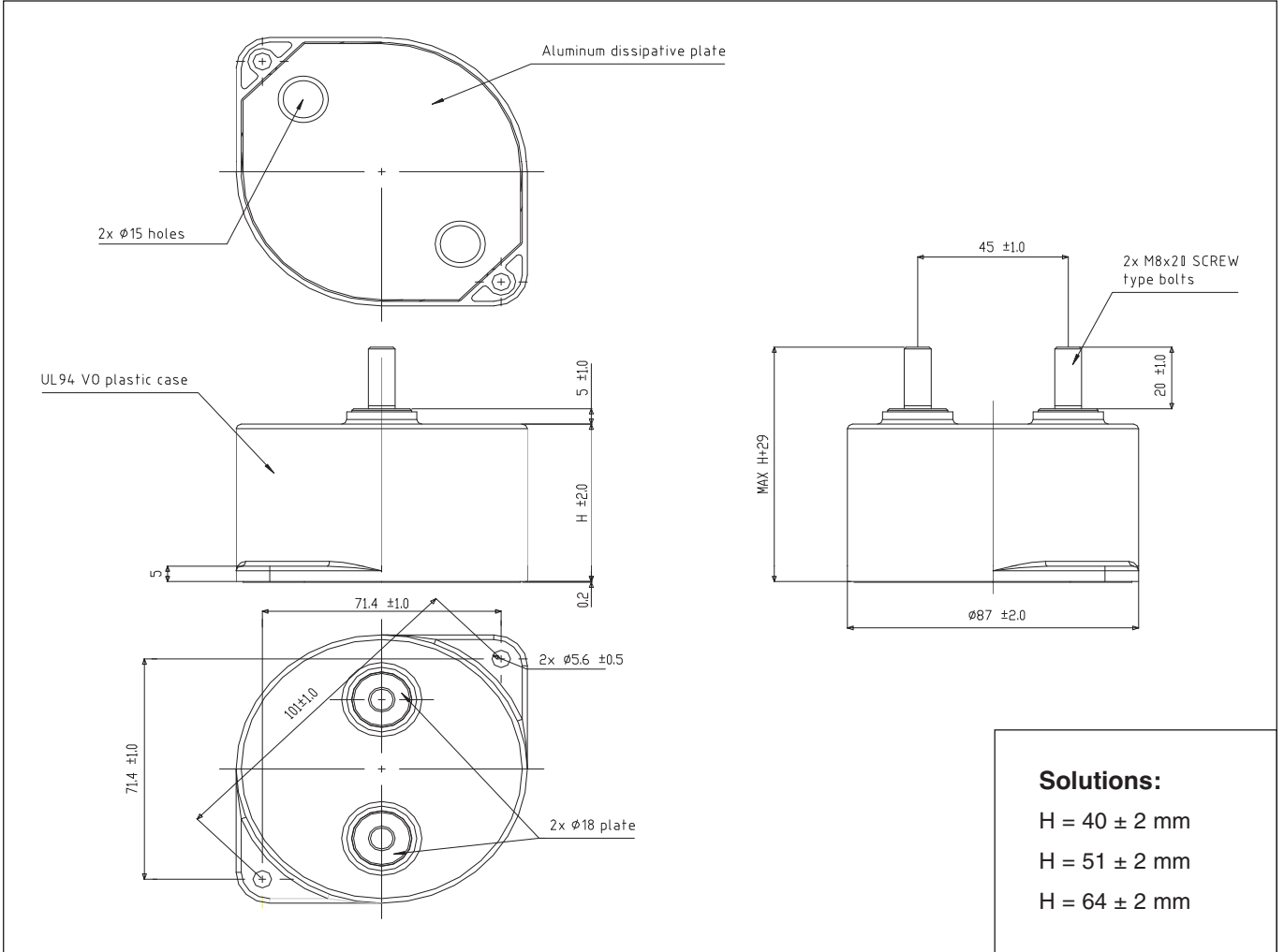
Box TYPE	
Standard box dimensions	mm 386 x 190 x 200
No. pieces x box:	16



DC CAPACITORS

DC 89 HC Series

MECHANICAL SOLUTIONS:



Creepage distance (mm)	37
Clearance distance (mm)	27



Power Electronics Capacitors

DC CAPACITORS

DC 88 M SERIES

DC-Link Capacitors, resin filled in prism metal case
Capacitor specifically designed for high working current, low inductance and optimized on customer request.

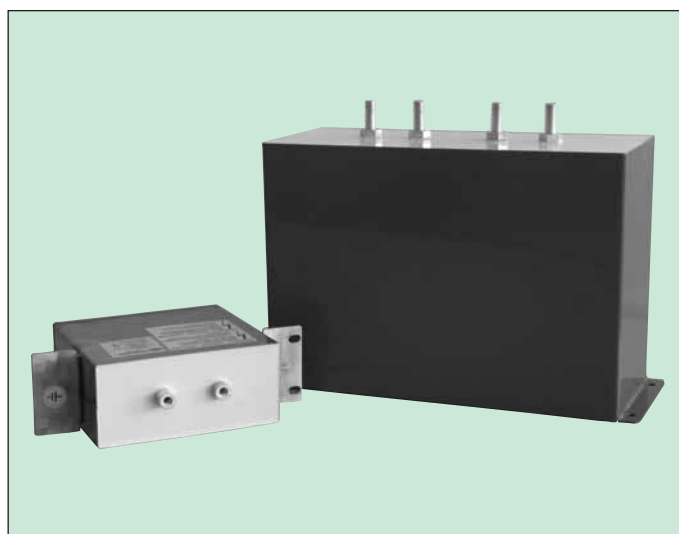
TYPICAL APPLICATIONS:

DC filter or DC LINK capacitor for INVERTER with terminals suited for a direct connection to the IGBT module terminals.

FEATURES:

The aluminum box is hermetically sealed by a polyurethane resin that assure a total protection against the environment and also allows use of different terminals types.

The internal metallized polypropilene film assures excellent self healing properties, moreover the special internal connection between elements gives low series inductance.



<i>GENERAL CHARACTERISTICS</i>	
Rated voltage	DC 500V - 2800V
Capacitance range	500 uF - 3,0mF
Maximum working frequency (*)	30KHz
Maximum RMS current	300A
Metal case	Aluminum or Stainless steel case (painted or not)
Resin filled	Polyurethane resin (also UL94 V0 self-extinguishing type)
Terminals	On request: Male o Female screw type bolt (M6 / 8 /10 /12) or tinned copper bar for IGBT conection
Dielectric type film	Self healing PPMd film type, that assures an open circuit at the end of life.
Operating temperature (case)	- 25°C .. + 75°C
Life expectancy / Failure quota	> 100.000 h / 300/10E9
Pat Number DUCATI	4.16.88. xxxx

(*) including harmonics current contribution. This value depends also on the capacitor's resonant frequency: harmonic components near or exceeding this frequency need to be investigated.

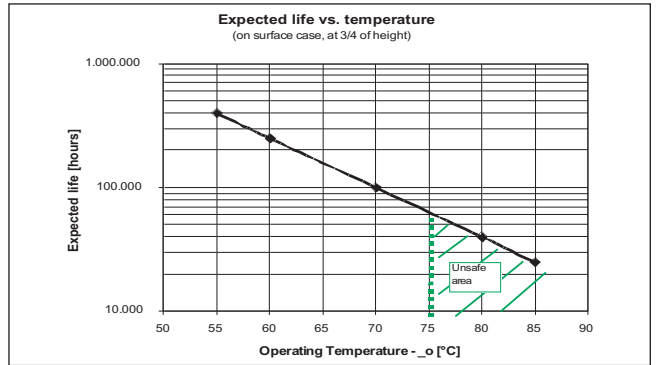
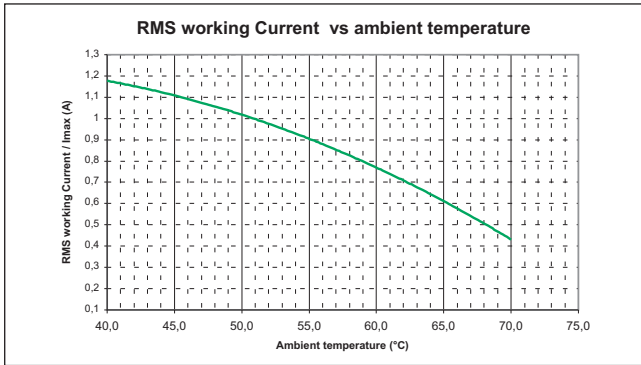
Operating temperature: related to hot spot case temperature (maximum value). For higher temperature values, please consider the below diagram.

Maximum RMS current, refered to an abient temperature of 50°C, natural cooling. In case of differnet temperature, see diagram below

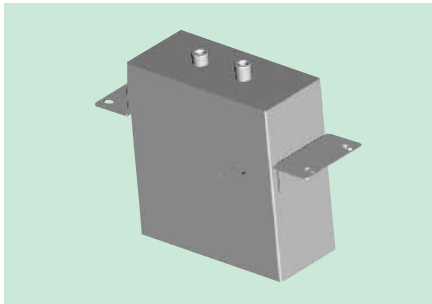
Power Electronics Capacitors

DC CAPACITORS

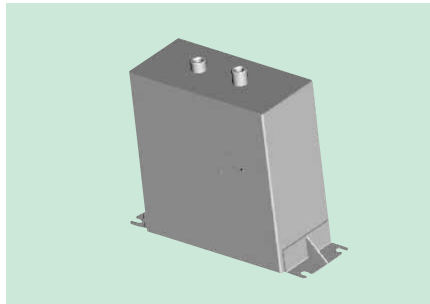
DC 88 M Series



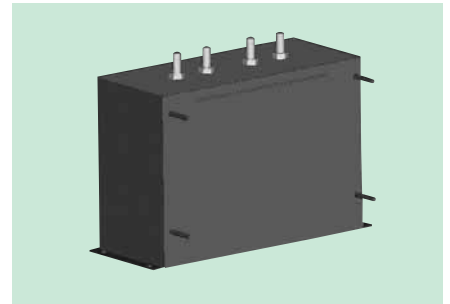
TYPICAL MECHANICAL AND TERMINAL SOLUTIONS:



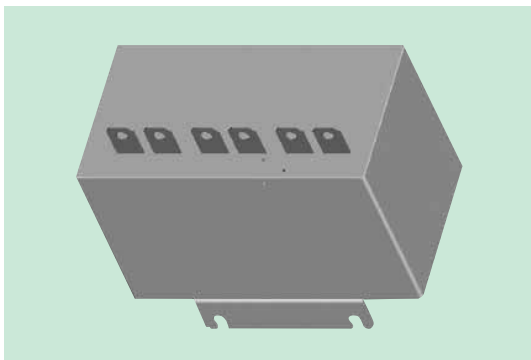
Picture 1



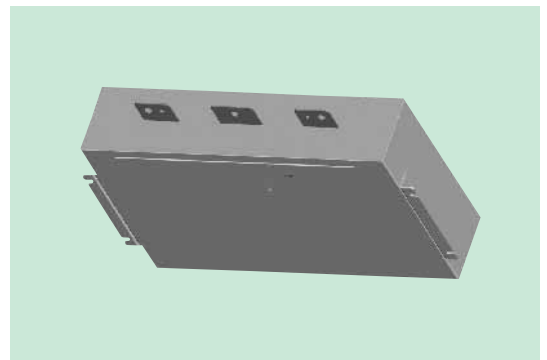
Picture 1/A



Picture 2



Picture 3



Picture 4

ELECTRICAL AND MECHANICAL CHARACTERISTICS

Pictures:

		1 - 1A	2	3	4
Capacitance	Cn [uF]	1000	3000	1000	2x 3000
Rated DC Voltage	Un [V]	900	1200	500	700
Repet. Peak Voltage	Up [KV]	1250	1700	750	1050
Surge Voltage	Us [KV]	1900	2500	1000	1500
Max. RMS Current	IMAX [A]	170	300	150	2x 230
Repet. Peak Current	Ip [A]	9000	22000	15000	20000
Surge Current	Is [kA]	15	35	25	30
Series Resistance	Rs [m_]	< 2,0	< 1,0	< 3,0	< 1,5
Series Inductance	Lesr [nH]	< 45 nH	< 50 nH	< 30 nH	< 80 nH
Dimension	L x W x H (mm)	165 x 75 x 170	340 x 145 x 240	172 x 105 x 94	440 x 100 x 270



Power Electronics Capacitors

DC CAPACITORS

DC 45 SERIES

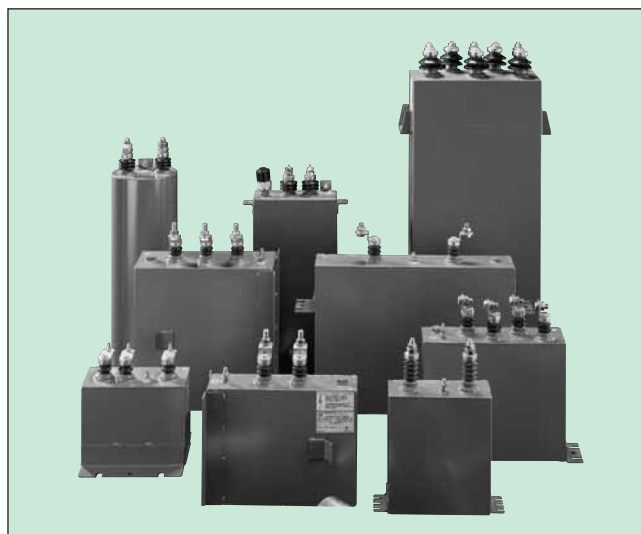
Capacitors for filtering in locomotive, traction applications and welding machine by capacitance discharge with high capacitance and high voltage

FEATURES

- Steel or aluminium case
- Impregnated
- Screw type bolts
- DC voltage

TYPICAL APPLICATIONS

- Traction filtering
- Welding machines



<i>GENERAL CHARACTERISTICS</i>	
Rated voltage	DC 800÷5000V (*)
Range capacitance	100÷5000 μ F (*)
Capacitance tolerance	\pm 5% ; \pm 10%
Test voltage between terminals	1,5Un 10s
Test voltage between terminals and case	2 Un 50Hz 60s
Terminals	Bushings
Ambient operating temperature	-25 / + 55 °C
Protection degree	IP 00
Filling	Castor oil
Dielectric	Mosaic metallized polypropylene
Case	Steel
Life expectancy	100.000h
Installation	Vertical / horizontal
Reference standard	IEC 1071-1/2; IEC 1881; UL 810

(*) Standard values, other values can be on specific

DC CAPACITORS

Example of filter capacitor:

CHARACTERISTICS

Rated Capacitance	1000 μ F
Capacitance Tolerance	± 10 %
Rated Voltage U_n (DC)	3500 V
Rated Current (I_n)	300 A
Serial Inductance	≤ 300 nH
Tan δ	$\leq 25 \cdot 10^{-4}$ (50Hz, 20°C)

MAXIMUM RATINGS

Max Voltage	3600 V
Max Peak Current	5 kA
(du/dt) _{max}	5 V/ μ s
Max Duty Cycle	1 discharge/1sec

TEST DATA

AC Test voltage terminal to terminal	5 kVac (2 sec)
AC test voltage terminal to case	7 kVac (50Hz 60sec)

CLIMATIC CATEGORY

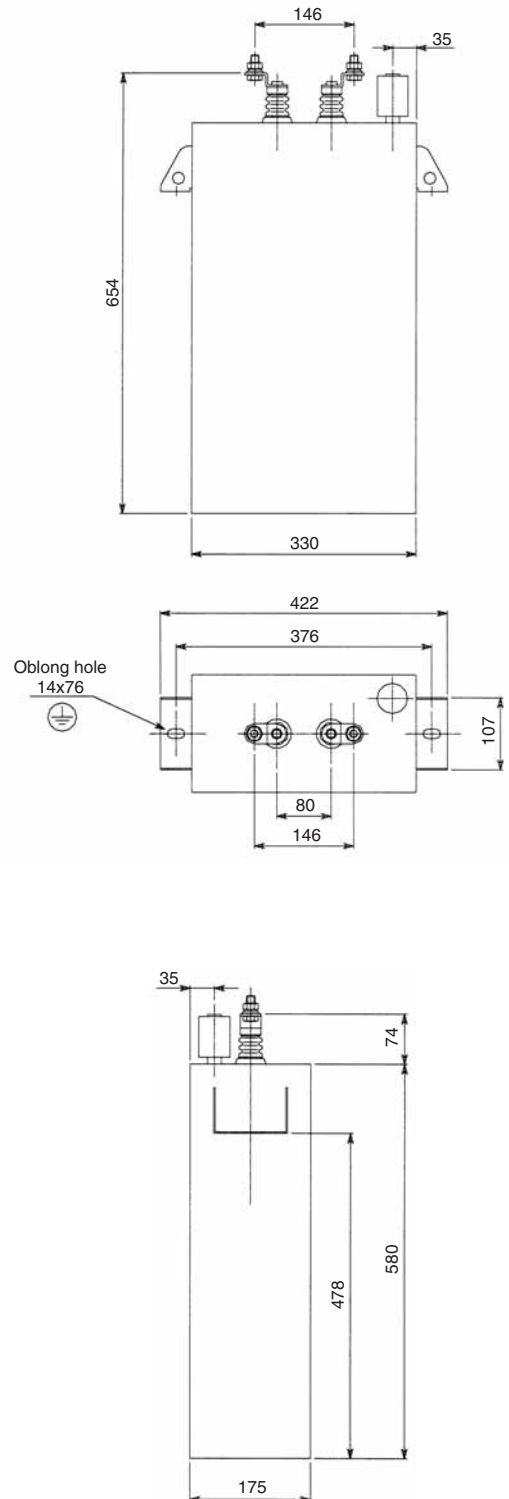
Operating Temperature	- 25 / + 55 °C
-----------------------	----------------

MECHANICAL CHARACTERISTICS

Dimensions	175x330x570 mm
Weight	<45 Kg
Case	Stainless steel
Painted case	
With Overpressure device	
Without discharge resistor	

TERMINALS AND INSULATION

Terminal	Z type
Material	Ceramic
Creepage distance	40 mm
Clearance	31 mm
Expected life	100000 h
Impregnation	Non polluting oil (NO PCB)





Power Electronics Capacitors

3-PHASE AC FILTER CAPACITORS

Modulo XD series

Metallized polypropylene three-phases capacitors for high voltage and high harmonics power factor correction applications.


FEATURES

- Aluminum case
- Dry resin
- Screw terminals
- AC voltage

TYPICAL APPLICATIONS

- PFC with high voltage and high current harmonics
- Wind turbines



<i>GENERAL CHARACTERISTICS</i>	
Rated voltage	AC 690÷880 V (*)
Range power	10÷30 kVAr (*)
Capacitance tolerance	±5% / ±10%
Test voltage between terminals	1,5Un 10s
Test voltage between terminals and case	6kV 10s
Ambient operating temperature	-25 / + 55°C
Protection degree	IP 20
Filling	Dry polyurethane resin
Dielectric	Metallized polypropylene film (HD)
Case	Aluminum
Life expectancy	100.000h
Failure quota	300/10E9
Installation	Vertical / horizontal
Reference standard	IEC 831-1/2; UL 810
UL-CSA approved (c  US)	File n. E192559

(*) Standard values, other values can be on specific

AC CAPACITORS

Example of wind turbine capacitor:

CHARACTERISTICS

Power	25,5 kVA _r
Rated Capacitance	3x42.3 μF
Capacitance Tolerance	-5+10 %
Rated Voltage Un	800 V
Rated frequency	50 Hz
Rated Current (In)	18 A
Dielectric losses	≤0.5 W/kVar
Connection	D
Insulating level	6/15 kV
Discharge resistor	none
Overpressure safety device	
Aluminum case	
Dry type	

MAXIMUM RATINGS

Overvoltage	1.1 Un 8 hours/day
	1.15 Un 30 min/day
	1.2 Un 5 min/200 times
	1.3 Un 1 min/200 times
Overcurrent:	1.3 In
Inrush current:	100 In

TEST DATA

AC Test voltage terminal to terminal	1720 Vac (2 sec)
AC test voltage terminal to case	6000 Vac (10 sec)

CLIMATIC CATEGORY

Temperature class	-25/D (max 55°C)
Storage temperature	-40 +85°C

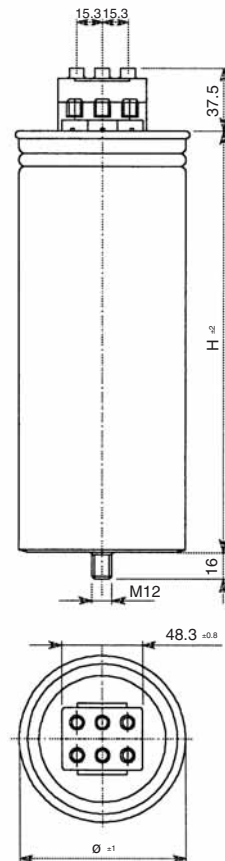
Failure quota 300/10E9

Expected life (Ln) (-25/C) >100000h

Standards: EN60831-1
EN60831-2

UL-CSA approval File N° 192559
Degree of protection: IP20 indoor mounting

Humidity category in accord. with DIN 40040
Self-extinguishing in accord. with UL 492
Vibration resistance in accord. with EIA STAND. RS-186-7E



Fixing Stud: M12
Case materials: Aluminium

Ø (mm)	H (mm)
100 1	370 2

Maximum driving torque: 1,5 Nm

Total elongation is about 40 mm after the overpressure disconnecter release.



Power Electronics Capacitors

INQUIRY FORM

In case of custom design, or for any special request / quotation, please complete the following form.

Company Name _____
Contact Person _____
Phone / Fax / E-mail _____

Application _____

Technical characteristics

Value	Unit	Condition / Time / Note
CAPACITANCE		
Rated Capacitance	μF	
Capacitance Tolerance	%	
VOLTAGE		
Rated AC Voltage (Urms)	V	
Rated DC Voltage (Un)	V	
Superimposed ripple voltage (Ur)	Vpp	
Frequency of ripple voltage (fr)	Hz	
Maximum recurrent peak voltage	V	
Maximum surge voltage (Us)	V	
Voltage raise of rise (dV/dT)	V/μs	
CURRENT		
Rated rms current	A	
Maximum rms Current @ θ MAX (Imax)	A	
Maximum peak current (Is)	KA	
OPERATING DATA		
Maximum permissible inductance	nH	
Maximum series resistance (RS)	mΩ	
Maximum tan δ (10E-4) @ 50Hz		
Min.operating temperature (θ MIN)	°C	
Max. operating temperature (θ MAX)	°C	
Storage temperature MIN / MAX	°C	
Altitude maximum	m	
Expected life timehours		
MECHANICAL REQUIREMENTS		
Maximum dimensions (WxLxH)	mm	
Flash over distance	mm	
Creepage distance	mm	
Terminals		
FURTHER REQUIREMENTS		
Quantity	pcs/year	
Start of delivery		

(*) Bold type: fundamental parameters

Power Electronics Capacitors

INQUIRY FORM

Circuit scheme														

Current and voltage waveforms														

PLEASE COPY, COMPLETE AND RETURN TO:

DUCATI energia

Via M.E.Lepido, 182 - 40132 Bologna - Italy
Tel. +39 051 6411511 - Fax. +39 051 402040
www.ducatienergia.com - E-mail: commri@ducatienergia.com





POWER ELECTRONIC
CAPACITORS

Per la continua evoluzione della nostra tecnologia, ci riserviamo il diritto di cambiare le suddette specifiche senza preavviso.
Due to the continual development of our technology, we reserve the right to change the above specifications.



DUCATI energia

Via M.E.Lepido, 182 - 40132 Bologna - Italy
Tel. +39 051 6411511 - Fax. +39 051 402040
www.ducatienergia.com - E-mail: commri@ducatienergia.com

PRINTED IN ITALY 04/2010 (9091)