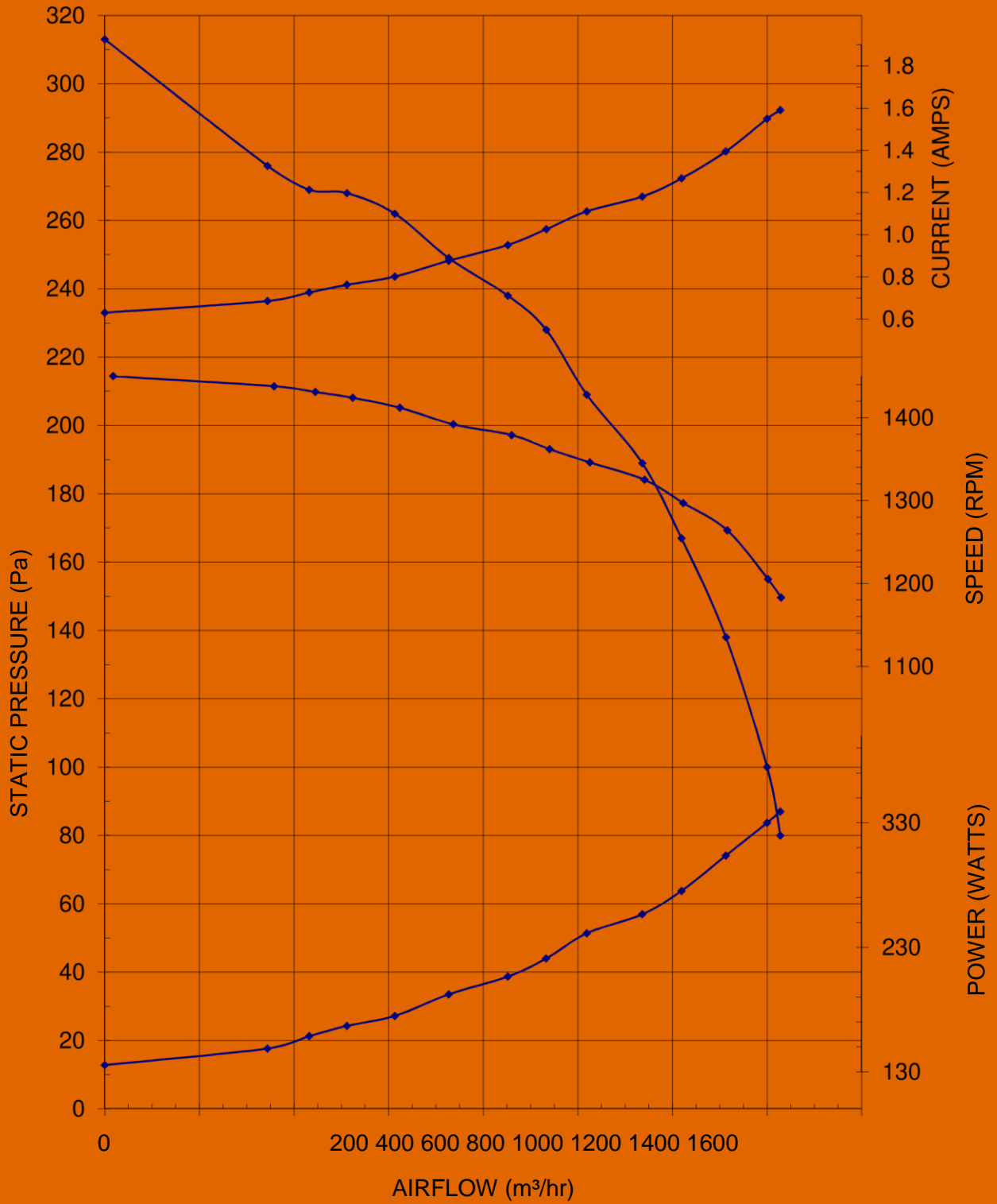
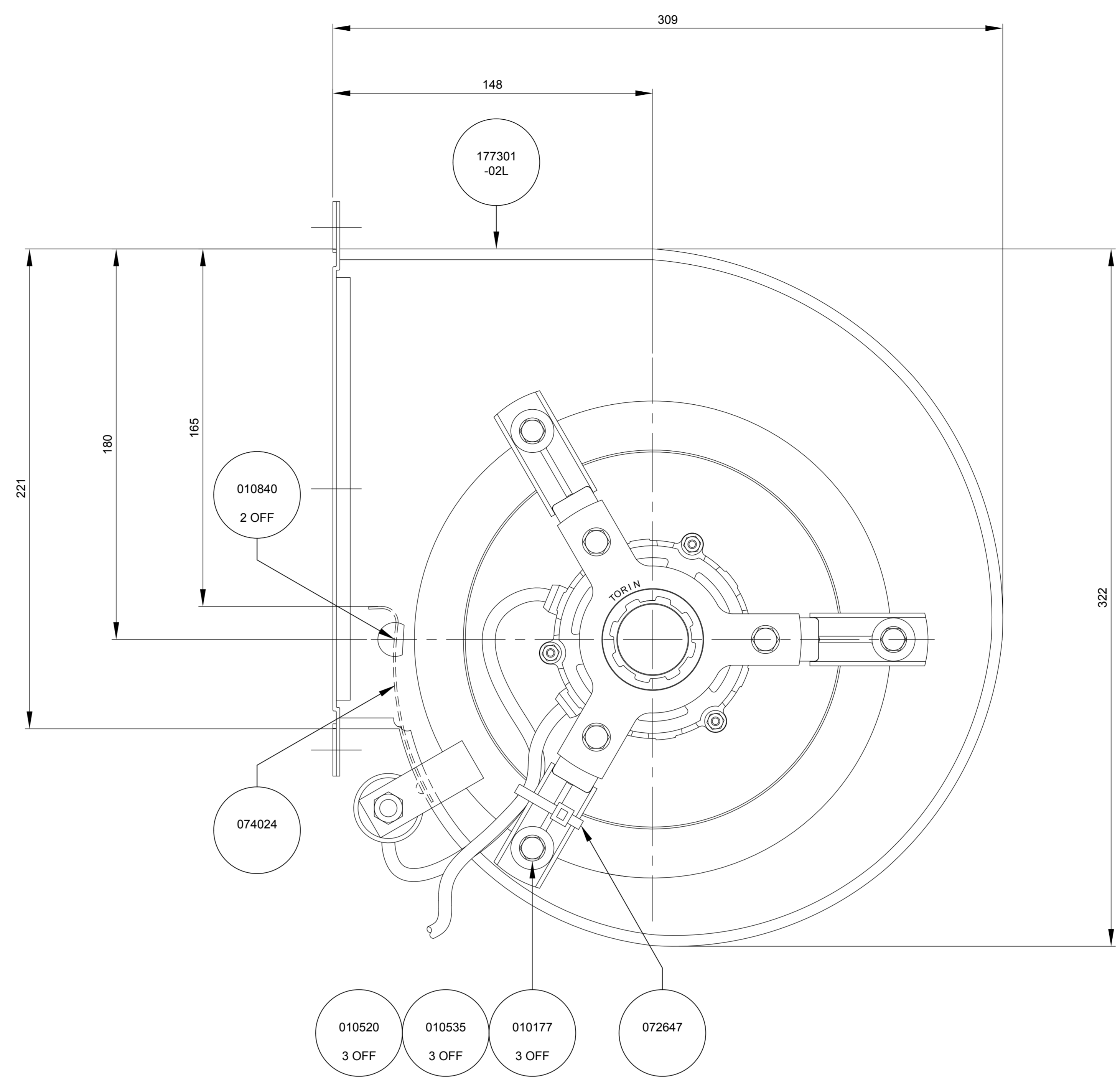
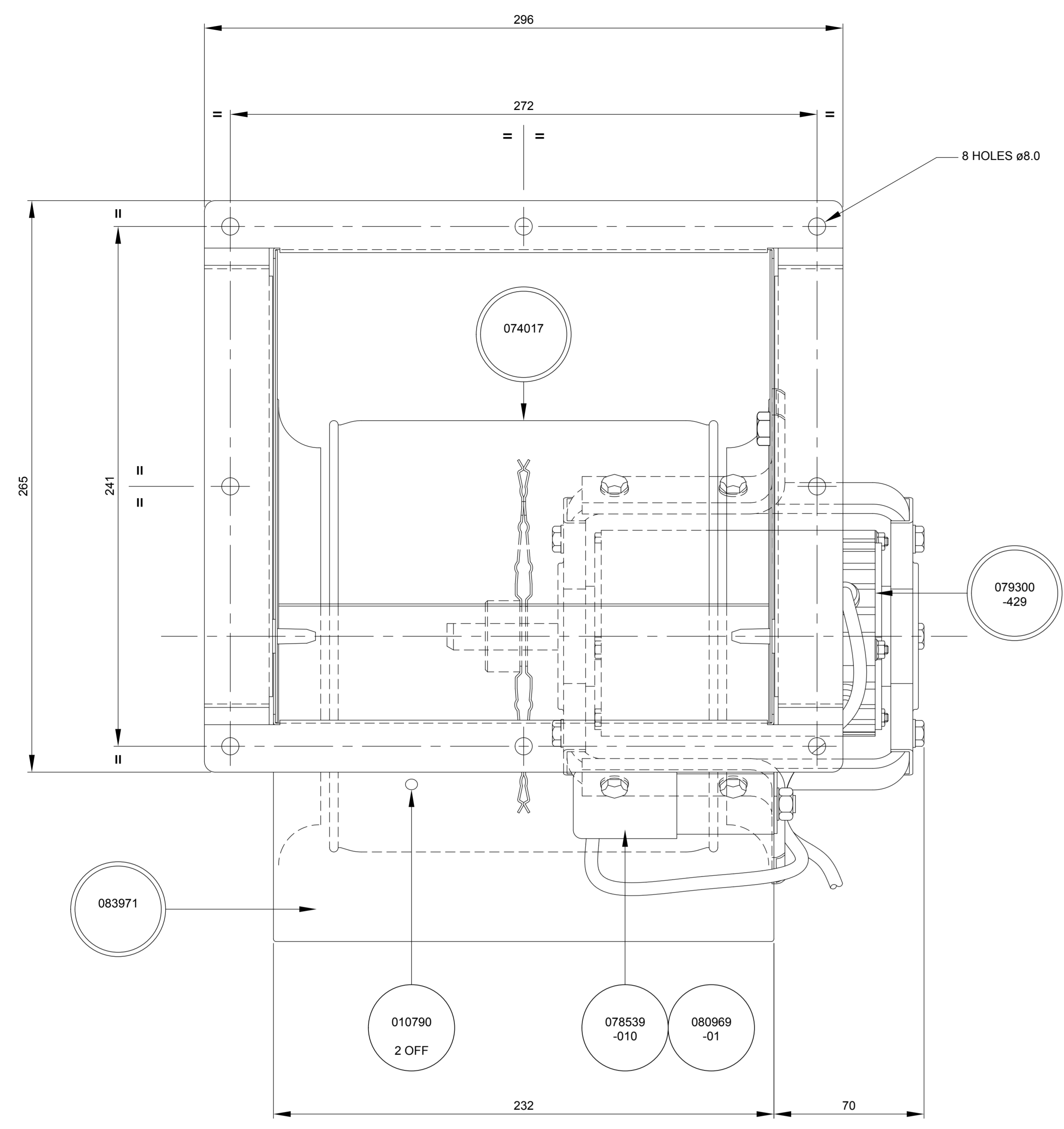


DDN200-180 230V 50Hz
Motor: SPC1412 (147w 4p 1s 5uf HE)





NOTES:-

ALL UNTOLERANCED DIMENSIONS ARE FOR REFERENCE PURPOSES ONLY.

THIS PRODUCT MUST BE EARTHED.

WARNING - ROTATING PARTS. HANDLING, INSTALLATION AND GUARDING PRECAUTIONS MUST BE TAKEN.

INSTALLATION AND OPERATION BY QUALIFIED PERSONNEL ONLY.

THIS PRODUCT IS INTENDED FOR USE WITHIN THIRD PARTY OEM EQUIPMENT. CORRECT GUARDING AND INTERLOCKING ARE THE RESPONSIBILITY OF THE THIRD PARTY OEM EQUIPMENT MANUFACTURER. THIS EQUIPMENT SHOULD NOT BE OPERATED WITHOUT APPROPRIATE GUARDS AND INTERLOCKS IN PLACE. INSTRUCTIONS AND MARKING FOR SAFE USE IN APPLICATION ARE THE RESPONSIBILITY OF THE THIRD PARTY OEM EQUIPMENT MANUFACTURER.

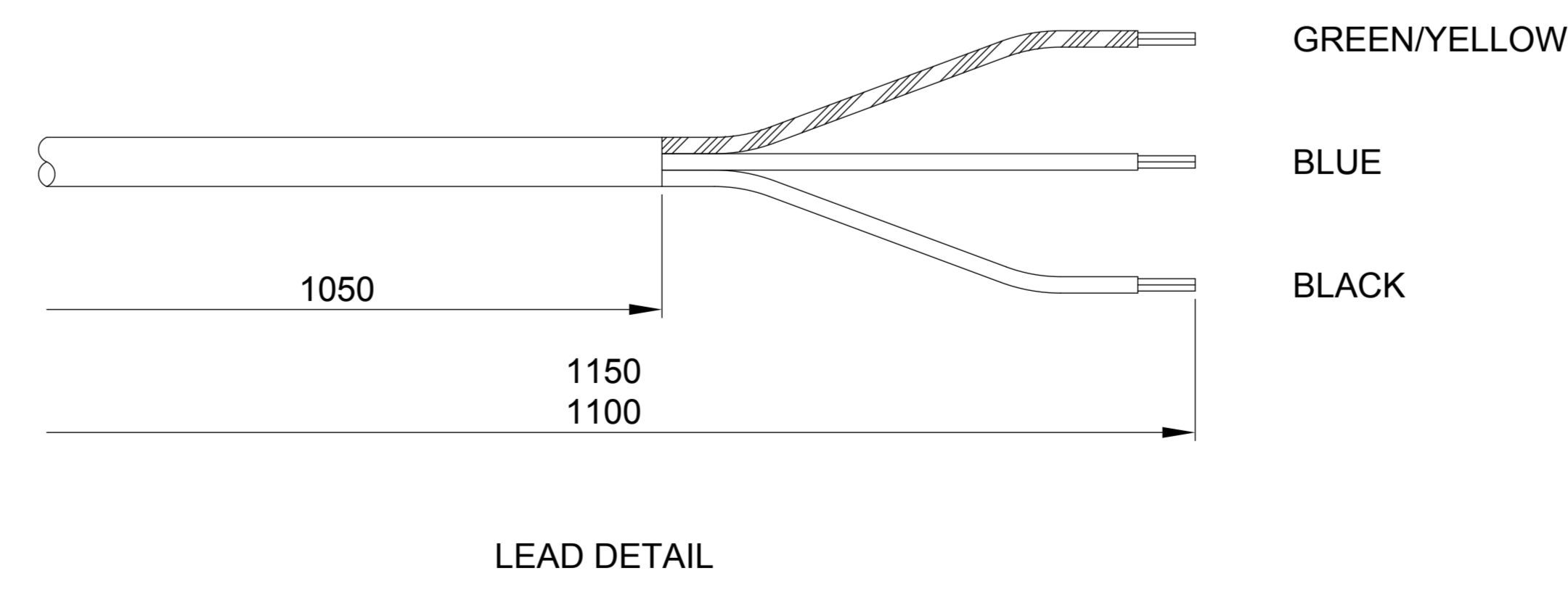
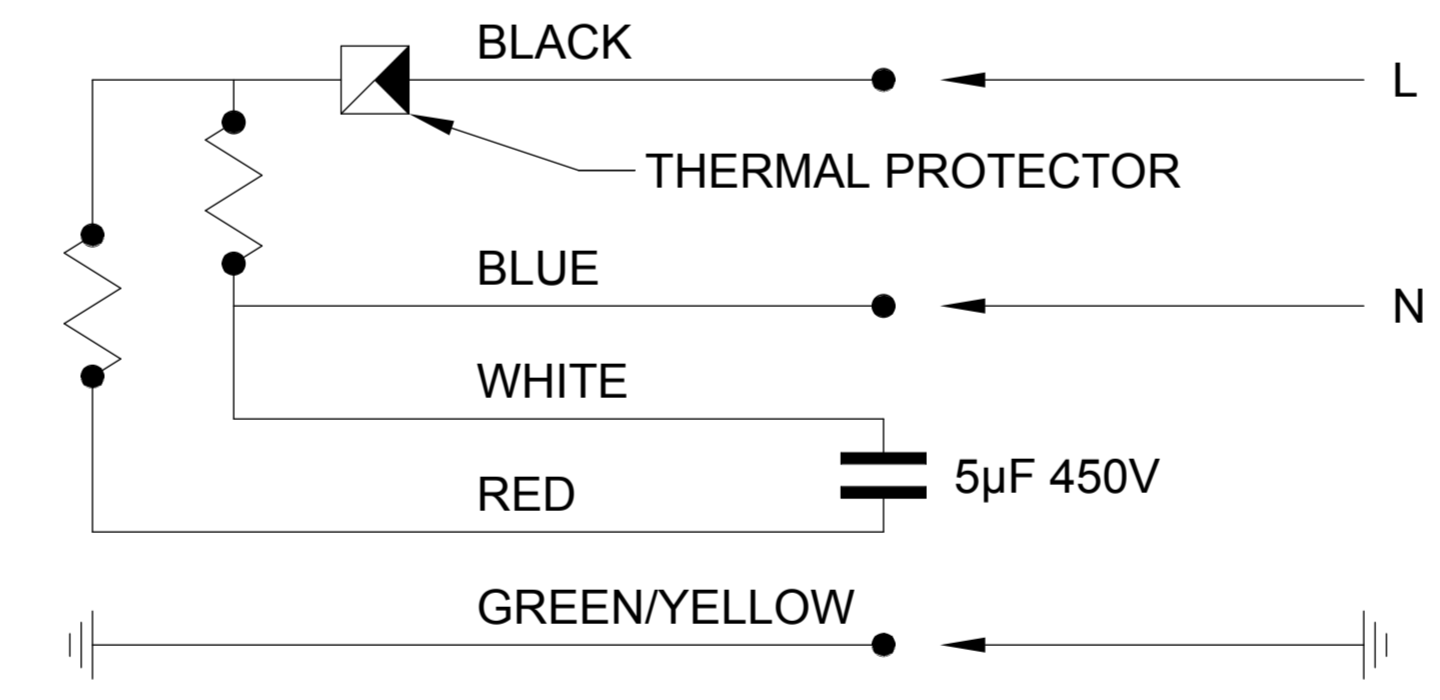
CARE SHOULD BE TAKEN DURING HANDLING - SHARP/POINTED EDGES MAY EXIST ON THE PRODUCT.

CORRECT CONNECTION TO THE SUPPLY MAINS IS THE RESPONSIBILITY OF THE THIRD PARTY OEM EQUIPMENT MANUFACTURER. SUITABLE SUPPLY PROTECTION AND ISOLATION MUST BE PROVIDED. EXTERNAL CABLING SHOULD NOT RUN OVER SHARP EDGES.

DAMAGE TO MAINS SUPPLY CABLES SHOULD BE REPAIRED BY QUALIFIED PERSONNEL ONLY.

CABLES SHOULD BE KEPT CLEAR OF HOT SURFACES.

MOTOR RATING IP 30



torin-sifan
The Partner of Choice

Model Number: 177301-02
Description: DDN200-180 0147 4 1 AC 05

Overall Efficiency: 27.3%
Measurement Type: A
Efficiency Type: Static
FMEG: 37
VSD: Not required
Place of Manufacture: Swindon, England
Electrical Supply: 230V 50Hz
Insulation Class: F
Input Power: 330W
IP Rating: 30
Date Code: WWYY (W/ORDER)

LABEL DETAIL

1	ISSUED	29/01/13	18981
A	PROVISIONAL	23/01/13	EWR 2906
ISS. MODIFICATION	DATE	C/N NO.	

MATERIAL

GALVANISED STEEL

FINISH

NATURAL

FIRST USED ON

SIMILAR TO
083981-01

DIRECTORY PATH
\\ASY\DDN\200-180\177301-02

TITLE
**DDN200-180
230V 50Hz 147W
(MAX INPUT 330W)
4 POLE 1 SPEED
CLASS F**

DRAWING NO.
177301-02

Torin Limited
Drakes Way
Swindon Wiltshire
SN3 3JB
Tel : (01793) 524291

THIS DRAWING AND SPECIFICATIONS IS THE EXCLUSIVE PROPERTY OF TORIN LIMITED, ISSUED IN STRICT CONFIDENCE AND SHALL NOT BE REPRODUCED, COPIED OR USED FOR ANY REASON OTHER THAN WHICH IT IS ISSUED, WITHOUT THE WRITTEN PERMISSION OF TORIN LIMITED.

© TORIN LIMITED

PRODUCT TYPE: SMALL BLOWER	
TECH 1: AC <input checked="" type="checkbox"/> EC <input type="checkbox"/>	
TECH 2: AC <input checked="" type="checkbox"/> BD <input type="checkbox"/> CP <input type="checkbox"/> DC <input type="checkbox"/> ECI <input type="checkbox"/> ECR <input type="checkbox"/>	
ERP DIRECTIVE: Y	Ng/EN ARTICLE: 37

PROJECTION

DRAWING GENERALLY CONFORMS TO BS 8888

ALL BS TO LATEST ISSUE

DR. SM	CHKD	AP.	A2
DATE 23/01/13	DATE	DATE	
DIMENSIONS IN MILLIMETRES			
SCALE: N.T.S. (UNLESS OTHERWISE STATED)			

177301-02