

Drehmoment / Drehzahl:

■ Gearmotor–Torque Table

Unit = N·m

Model	Speed Range r/min	20 ~ 500 (600)	10 ~ 250 (300)	6.7 ~ 167 (200)	5 ~ 125 (150)	3.3 ~ 83 (100)	2 ~ 50 (60)	1 ~ 25 (30)	0.5 ~ 12.5
	Gear Ratio	5	10	15	20	30	50	100	200
AXH015K-□		0.23	0.45	0.68	0.86	1.3	2	2	–
AXH230KC-□		0.54	1.1	1.6	2.2	3.1	5.2	6	6
AXH450KC-□		0.9	1.8	2.7	3.6	5.2	8.6	16	16

■ Gearmotor–Torque Table for Geared Type/Combination Type

● Geared Type/Combination Type–Parallel Shaft Gearhead

Unit = N·m

Package Model	Gear Ratio		5	10	15	20	30	50	100	200
	Speed Range	100~2500 r/min	20~500	10~250	6.7~167	5~125	3.3~83	2~50	1~25	0.5~12.5
		3000 r/min	600	300	200	150	100	60	30	15
BLH015K-□	100~3000 r/min		0.23	0.45	0.68	0.86	1.3	2	2	–
BLH230KC-□	100~2500 r/min		0.54	1.1	1.6	2.2	3.1	5.2	6	6
	3000 r/min		0.27	0.54	0.81	1.1	1.5	2.6	5.2	6
BLH450KC-□	100~2500 r/min		0.9	1.8	2.7	3.6	5.2	8.6	16	16
	3000 r/min		0.45	0.9	1.4	1.8	2.6	4.3	8.6	16
BLH5100KC-□	100~2500 r/min		1.8	3.6	5.4	7.2	10.3	17.2	30	30
	3000 r/min		0.9	1.8	2.7	3.6	5.2	8.6	17.2	30

Abmaße:

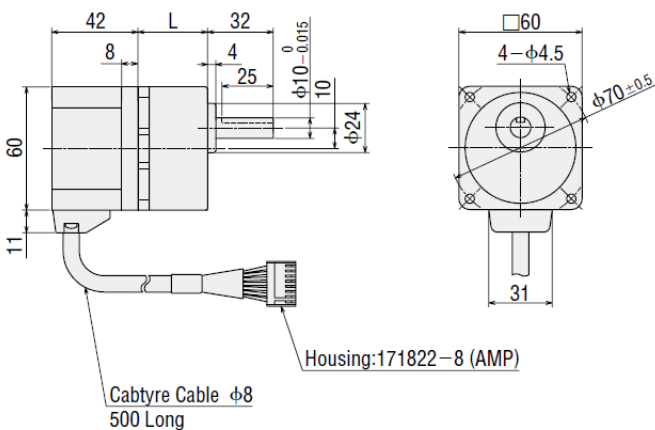
● Motor/Gearhead

AXH230KC-□ (Combination Type)

Motor: AXHM230KC-GFH

Gearhead: GFH2G□

Mass: 1.0kg (Gearhead included)

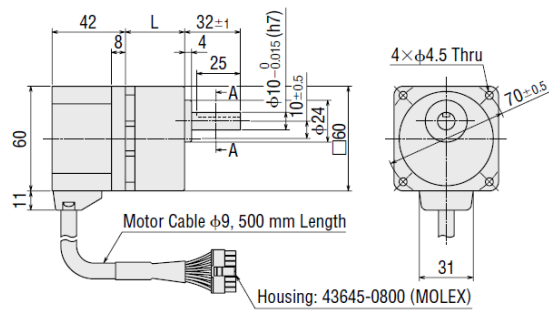


● 30 W

◇ Motor/Parallel Shaft Gearhead

Package Model	Motor Model	Gearhead Model	Gear Ratio	L
BLH230KC-□	BLHM230KC-GFS	GFS2G□	5~20	34
			30~100	38
			200	43

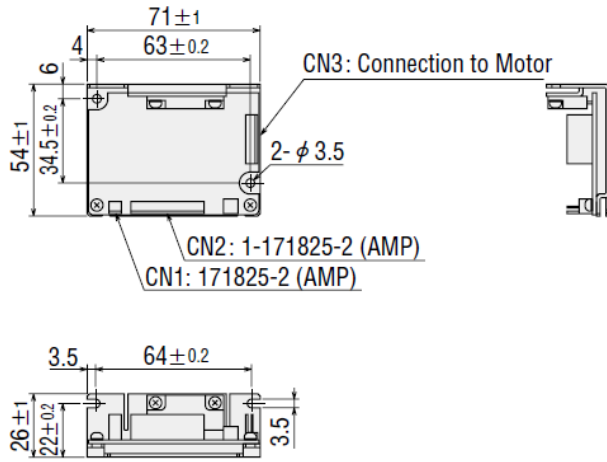
Mass: 1.0 kg (Including Gearhead)



- L=34 GFH2G5~20
- L=38 GFH2G30~100
- L=43 GFH2G200

Vergleich AXH230KC-10 und BLH230KC-10

Treiber: AXH



BLH

