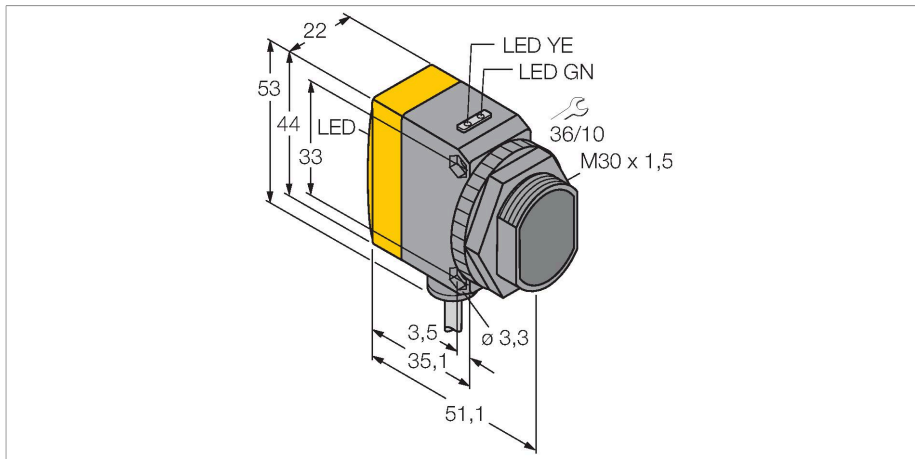


QS30RXH2OU

Photoelectric Sensor – Opposed Mode Sensor (Emitter/Receiver)

For Water Detection



Technical data

Type	QS30RXH2OU
ID	3079179
Optical data	
Function	Opposed mode sensor
Operating mode	Receiver
Range	0...4000 mm
Electrical data	
Operating voltage	10...30 VDC
Residual ripple	< 10 % U _{ss}
DC rated operational current	≤ 65 mA
Short-circuit protection	yes
Reverse polarity protection	yes
Output function	Analog output
Type of analog output	0...10 V
Voltage output	0...10 V
Load resistance	≥ 2000 Ω
Readiness delay	≤ 100 ms
Response time typical	< 25 ms
Mechanical data	
Design	Rectangular with thread, QS30
Dimensions	Ø 30 x 54.3 x 22 x 53 mm
Housing material	Plastic, Thermoplastic material, Yellow
Lens	plastic, Acrylic
Electrical connection	Cable, 2 m, PVC

Features

- Cable, PVC, 2 m
- Protection class IP67
- LED all-round visible
- Selectable operating frequency, protection against crosstalk
- Operating voltage: 15...30 VDC
- Analog output, 0...10 V

Functional principle

The opposed mode sensor incorporates an emitter and a receiver. The emitter emits light in the near IR range with a wavelength of 1450 nm, which approximates one of the absorption edges of water. The resulting high contrast ratio leads to a particularly high sensitivity with water or media containing water as opposed to transparent media. The receiver converts the light intensity to an analog output signal of 0...10 V, whereby 0 V indicates the continuous light beam and 10 V indicates the blocked light beam.

Technical data

Number of cores	5
Core cross-section	0.5 mm ²
Ambient temperature	-20...+60 °C
Protection class	IP67
Special features	Encapsulated Water detection
Power-on indication	LED, Green
Switching state	LED, Yellow
Error indication	LED, green, Flashing
Excess gain indication	Bargraph, yellow, flashing
Tests/approvals	
Approvals	CE

Accessories

<p>SMBQS30Y</p>	<p>3002811 Protective housing, stainless steel, for QS30 series</p>	<p>SMBQS30YL</p>	<p>3072741 Protective housing with safety glass panel, stainless steel, for QS30 series</p>
<p>SMB30A</p>	<p>3032723 Mounting bracket, rectangular, stainless steel, for sensors with 30mm thread</p>	<p>SMBQS30L</p>	<p>3002809 Mounting bracket, stainless steel, for QS30 series</p>
<p>SMB30MM</p>	<p>3027162 Mounting bracket, rectangular, stainless steel, for sensors with 30 mm thread, wide holes for accurate alignment</p>	<p>SMB30SC</p>	<p>3052521 Mounting bracket, PBT black, for sensors with 30 mm thread, rotatable</p>