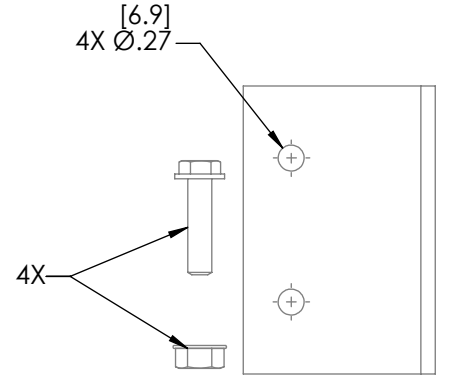


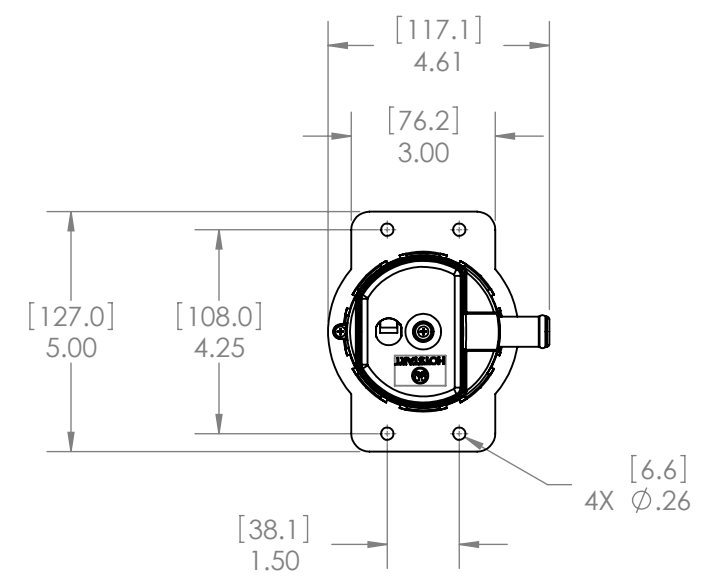
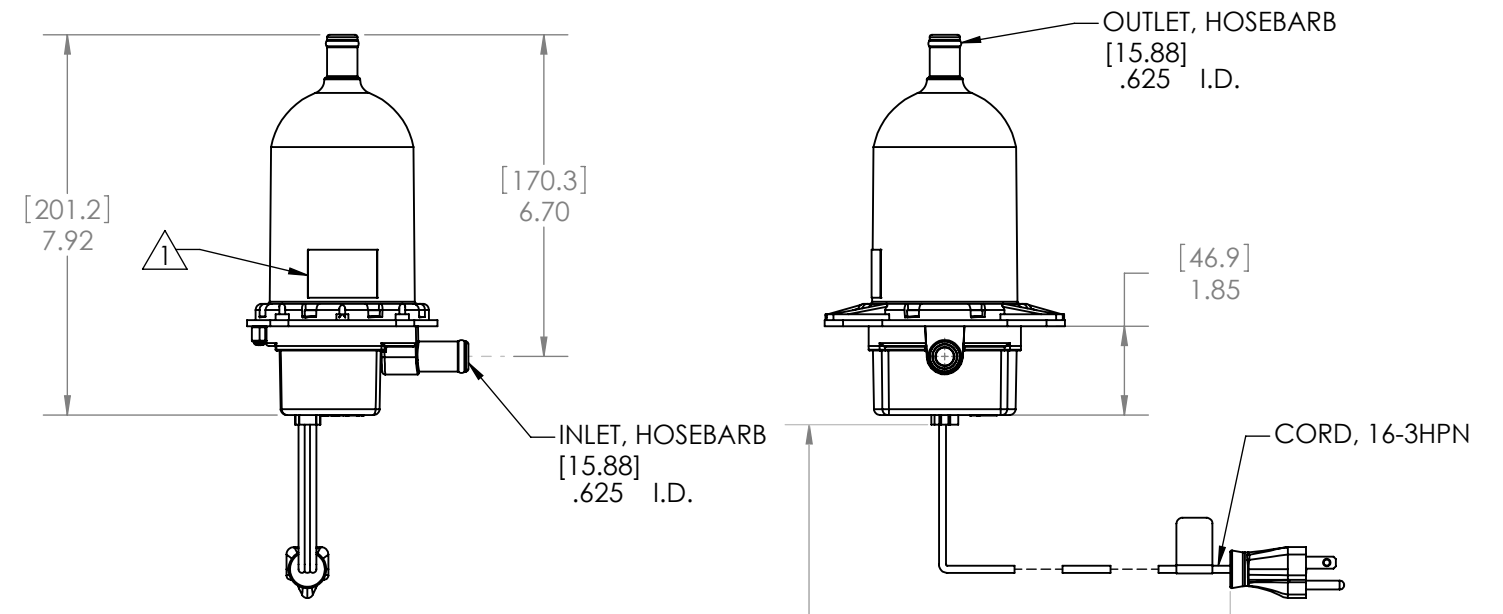
REVISIONS						
REV.	ECO	DATE	DESCRIPTION	AUTH.	DR.	ZONE
15	8638	08-06-15	REMOVED CE AND CSA REFERENCE FROM NOTE 1 AND ADDED UL TO NOTE 1.	CDH	BLF	C8
16	6714	10-20-16	ADDED CORD DIMENSION COLUMN TO TABLE	YP	BLF	B6, C2
17	6714	08-14-18	OBSOLETED TPS181GT10-007	CDH	BLF	2-B5



MOUNTING KIT
SCALE 1 : 2

NOTES:

- 1. LABELED WITH PART NUMBER, WATTS, VOLTS, DATE CODE AND UL MARK.
- 2. DIMENSIONS ARE FOR REFERENCE ONLY.
- 3. MOUNTING KIT SHIPPED LOOSE IN PLASTIC BAG.



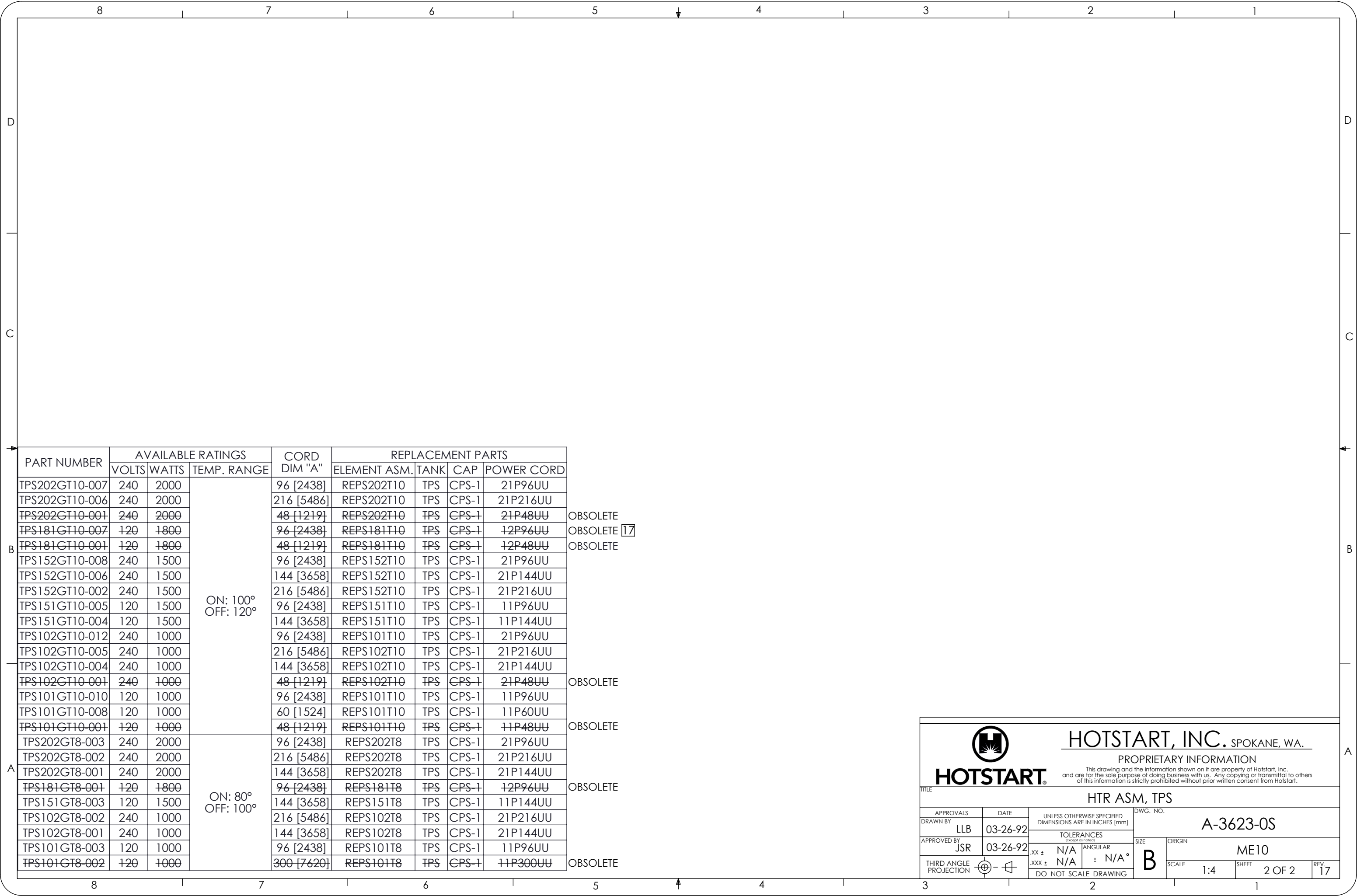
PLUG DETAIL
SCALE 2:1

PART NUMBER	AVAILABLE RATINGS			CORD DIM "A"	REPLACEMENT PARTS			
	VOLTS	WATTS	TEMP. RANGE		ELEMENT ASM.	TANK	CAP	POWER CORD
TPS051GT12-000	120	500	ON: 120° OFF: 140°	48 [1219]	REPS051T12	TPS	CPS-1	11P48UU
TPS101GT12-000	120	1000		48 [1219]	REPS101T12	TPS	CPS-1	11P48UU
TPS102GT12-000	240	1000		48 [1219]	REPS102T12	TPS	CPS-1	21P48UU
TPS151GT12-000	120	1500		48 [1219]	REPS151T12	TPS	CPS-1	11P48UU
TPS152GT12-000	240	1500		48 [1219]	REPS152T12	TPS	CPS-1	21P48UU
TPS181GT12-000	120	1800		48 [1219]	REPS181T12	TPS	CPS-1	12P48UU
TPS202GT12-000	240	2000		48 [1219]	REPS202T12	TPS	CPS-1	21P48UU
TPS051GT10-000	120	500	ON: 100° OFF: 120°	48 [1219]	REPS051T10	TPS	CPS-1	11P48UU
TPS101GT10-000	120	1000		48 [1219]	REPS101T10	TPS	CPS-1	11P48UU
TPS102GT10-000	240	1000		48 [1219]	REPS102T10	TPS	CPS-1	21P48UU
TPS151GT10-000	120	1500		48 [1219]	REPS151T10	TPS	CPS-1	11P48UU
TPS152GT10-000	240	1500		48 [1219]	REPS152T10	TPS	CPS-1	21P48UU
TPS181GT10-000	120	1800		48 [1219]	REPS181T10	TPS	CPS-1	12P48UU
TPS202GT10-000	240	2000		48 [1219]	REPS202T10	TPS	CPS-1	21P48UU
TPS051GT8-000	120	500	ON: 80° OFF: 100°	48 [1219]	REPS051T8	TPS	CPS-1	11P48UU
TPS101GT8-000	120	1000		48 [1219]	REPS101T8	TPS	CPS-1	11P48UU
TPS102GT8-000	240	1000		48 [1219]	REPS102T8	TPS	CPS-1	21P48UU
TPS151GT8-000	120	1500		48 [1219]	REPS151T8	TPS	CPS-1	11P48UU
TPS152GT8-000	240	1500		48 [1219]	REPS152T8	TPS	CPS-1	21P48UU
TPS181GT8-000	120	1800		48 [1219]	REPS181T8	TPS	CPS-1	12P48UU
TPS202GT8-000	240	2000		48 [1219]	REPS202T8	TPS	CPS-1	21P48UU


HOTSTART, INC. SPOKANE, WA.
PROPRIETARY INFORMATION

This drawing and the information shown on it are property of Hotstart, Inc. and are for the sole purpose of doing business with us. Any copying or transmittal to others of this information is strictly prohibited without prior written consent from Hotstart.

APPROVALS		DATE	UNLESS OTHERWISE SPECIFIED DIMENSIONS ARE IN INCHES [mm]	DWG. NO.
DRAWN BY		LLB	03-26-92	A-3623-0S
APPROVED BY		JSR	03-26-92	SIZE
THIRD ANGLE PROJECTION		TOLERANCES (Except as noted)		ORIGIN
		.XX ± N/A	ANGULAR ± N/A°	ME10
		DO NOT SCALE DRAWING		SCALE
				1:4
				SHEET
				1 OF 2
				REV.
				17



PART NUMBER	AVAILABLE RATINGS			CORD DIM "A"	REPLACEMENT PARTS				
	VOLTS	WATTS	TEMP. RANGE		ELEMENT ASM.	TANK	CAP	POWER CORD	
TPS202GT10-007	240	2000	ON: 100° OFF: 120°	96 [2438]	REPS202T10	TPS	CPS-1	21P96UU	
TPS202GT10-006	240	2000		216 [5486]	REPS202T10	TPS	CPS-1	21P216UU	
TPS202GT10-001	240	2000		48 [1219]	REPS202T10	TPS	CPS-1	21P48UU	OBSOLETE
TPS181GT10-007	120	1800		96 [2438]	REPS181T10	TPS	CPS-1	12P96UU	OBSOLETE 17
TPS181GT10-001	120	1800		48 [1219]	REPS181T10	TPS	CPS-1	12P48UU	OBSOLETE
TPS152GT10-008	240	1500		96 [2438]	REPS152T10	TPS	CPS-1	21P96UU	
TPS152GT10-006	240	1500		144 [3658]	REPS152T10	TPS	CPS-1	21P144UU	
TPS152GT10-002	240	1500		216 [5486]	REPS152T10	TPS	CPS-1	21P216UU	
TPS151GT10-005	120	1500		96 [2438]	REPS151T10	TPS	CPS-1	11P96UU	
TPS151GT10-004	120	1500		144 [3658]	REPS151T10	TPS	CPS-1	11P144UU	
TPS102GT10-012	240	1000		96 [2438]	REPS101T10	TPS	CPS-1	21P96UU	
TPS102GT10-005	240	1000		216 [5486]	REPS102T10	TPS	CPS-1	21P216UU	
TPS102GT10-004	240	1000		144 [3658]	REPS102T10	TPS	CPS-1	21P144UU	
TPS102GT10-001	240	1000		48 [1219]	REPS102T10	TPS	CPS-1	21P48UU	OBSOLETE
TPS101GT10-010	120	1000		96 [2438]	REPS101T10	TPS	CPS-1	11P96UU	
TPS101GT10-008	120	1000	60 [1524]	REPS101T10	TPS	CPS-1	11P60UU		
TPS101GT10-001	120	1000	48 [1219]	REPS101T10	TPS	CPS-1	11P48UU	OBSOLETE	
TPS202GT8-003	240	2000	ON: 80° OFF: 100°	96 [2438]	REPS202T8	TPS	CPS-1	21P96UU	
TPS202GT8-002	240	2000		216 [5486]	REPS202T8	TPS	CPS-1	21P216UU	
TPS202GT8-001	240	2000		144 [3658]	REPS202T8	TPS	CPS-1	21P144UU	
TPS181GT8-001	120	1800		96 [2438]	REPS181T8	TPS	CPS-1	12P96UU	OBSOLETE
TPS151GT8-003	120	1500		144 [3658]	REPS151T8	TPS	CPS-1	11P144UU	
TPS102GT8-002	240	1000		216 [5486]	REPS102T8	TPS	CPS-1	21P216UU	
TPS102GT8-001	240	1000		144 [3658]	REPS102T8	TPS	CPS-1	21P144UU	
TPS101GT8-003	120	1000		96 [2438]	REPS101T8	TPS	CPS-1	11P96UU	
TPS101GT8-002	120	1000		300 [7620]	REPS101T8	TPS	CPS-1	11P300UU	OBSOLETE



HOTSTART, INC. SPOKANE, WA.

PROPRIETARY INFORMATION

This drawing and the information shown on it are property of Hotstart, Inc. and are for the sole purpose of doing business with us. Any copying or transmittal to others of this information is strictly prohibited without prior written consent from Hotstart.

TITLE		HTR ASM, TPS		DWG. NO.		A-3623-0S	
APPROVALS	DATE	UNLESS OTHERWISE SPECIFIED DIMENSIONS ARE IN INCHES [mm]		SIZE		ORIGIN	
DRAWN BY	LLB 03-26-92	TOLERANCES (Except as noted)					
APPROVED BY	JSR 03-26-92	.XX ± N/A	.XXX ± N/A	SIZE		ORIGIN	
THIRD ANGLE PROJECTION		DO NOT SCALE DRAWING		B		SCALE	SHEET
				1:4		2 OF 2	REV. 17