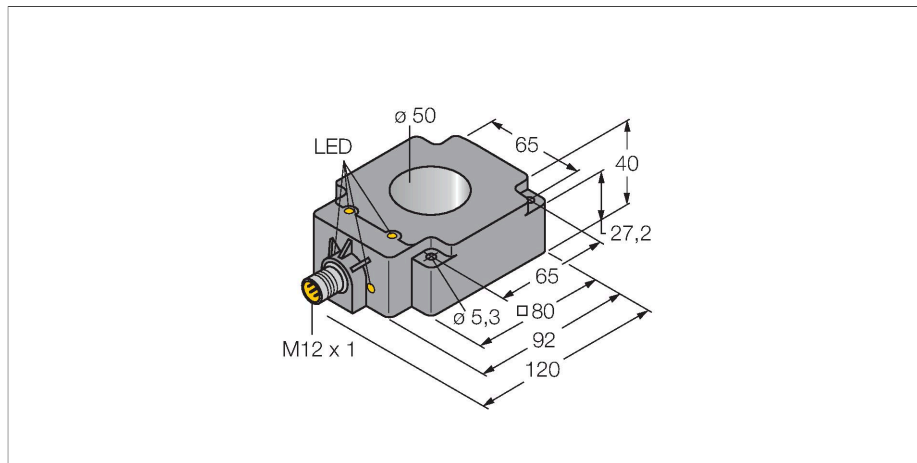


BI50R-Q80-AP6X2-H1141

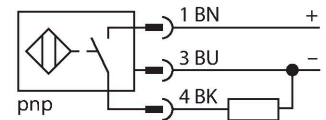
Inductive Sensor – Ring Sensor



Features

- Rectangular, height 40 mm
- Plastic, PBT-GF30-V0
- Static output behaviour
- Output pulse length min. 100 ms
- DC 3-wire, 10...30 VDC
- NO contact, PNP output
- M12 x 1 male connector

Wiring diagram



Functional principle

Inductive sensors detect metal objects contactless and wear-free. For this purpose they use a high-frequency electromagnetic AC field that interacts with the target. Inductive ring sensors generate this field through an LC resonant circuit. The target acts as the coil core.

Technical data

Type	BI50R-Q80-AP6X2-H1141
ID	1407530
General data	
Inside ring diameter D	50 mm
Steel ball diameter (DIN 5401)	≥ 8 mm
pulse stop	≥ 1 ms
Pulse duration at the output	≥ 100 ms ± 20 %
Electrical data	
Operating voltage	10...30 VDC
Residual ripple	≤ 10 % U _{ss}
DC rated operational current	≤ 200 mA
No-load current	15 mA
Residual current	≤ 0.1 mA
Isolation test voltage	≤ 0.5 kV
Short-circuit protection	yes / Cyclic
Voltage drop at I _o	≤ 1.8 V
Wire breakage/Reverse polarity protection	yes / Complete
Output function	3-wire, NO contact, PNP
Switching frequency	0.01 kHz
Mechanical data	
Design	Ring sensor, Q80
Dimensions	92 x 80 x 40 mm
Housing material	Plastic, PBT-GF30-V0
Electrical connection	Connector, M12 x 1
Coil body	plastic, POM

Technical data

Environmental conditions	
Ambient temperature	-25...+70 °C
Vibration resistance	55 Hz (1 mm)
Shock resistance	30 g (11 ms)
Protection class	IP67
MTTF	2283 years acc. to SN 29500 (Ed. 99) 40 °C
Power-on indication	LED, Green
Switching state	LED, Yellow

Mounting instructions

Mounting instructions/Description		
	Distance D	140 mm
	Distance W	120 mm
	Distance S	50 mm
	Distance G	90 mm
	Distance C	0 mm

Mounting on a metal plate is permitted