

TPMC851 Multifunction I/O (16 bit AD, 16 bit DA, TTL I/O, Counter)

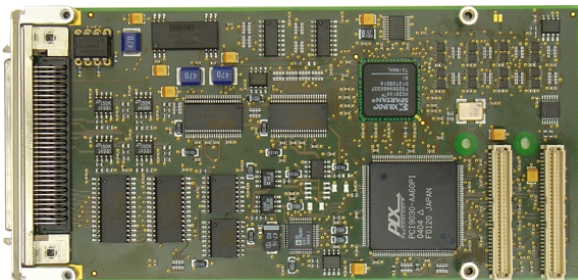
Application Information

The TPMC851 combines 32 single ended / 16 differential channels of 16 bit multiplexed analog input, 8 channels of 16 bit analog output, 16 digital I/O lines and a 32 bit multi-purpose counter on a standard single-width PMC module.

A 16 bit ADC converts 32 single-ended or 16 differential multiplexed ADC input channels. The data acquisition and conversion time is up to 1.25 μ s without channel/gain change and up to 17.25 μ s with channel/gain change. The input multiplexer of the A/D circuit offers analog overvoltage protection of up to 70Vpp. A programmable gain amplifier allows gains of 1, 2, 4 or 8 resulting in input voltage ranges of ± 10 V, ± 5 V, ± 2.5 V or ± 1.25 V.

The ADC part of the TPMC851 can operate in Manual Mode or Sequencer Mode:

- Manual Mode
In Manual Mode the multiplexer, programmable gain amplifier and the converter are fully controlled by the user. A conversion for a selected channel / gain can be started automatically after the settling time has elapsed, or manually by the user.
- Sequencer Mode
In Sequencer Mode each of the A/D channels can be independently enabled and configured for the sequencer. The sequencer can run continuously, at specific time intervals, or it may be triggered by an external event. Conversion data is stored in a data RAM.



The 8 analog output channels are realized by eight 16 bit digital to analog converters (DACs). The conversion time is 10 μ s. An operational amplifier drives the full-scale range of ± 10 V and is capable to drive high capacitive loads. Similar to the analog inputs a sequencer can control the analog outputs.

Following operation modes are available:

- Immediate Update: Updates the DAC output immediately when new data is written to the DAC channel.
- Simultaneous Update: DAC data is buffered and all DAC outputs are updated simultaneously on a trigger event:
 - Manual Update: Updates all DAC outputs on a manual event (register write)
 - Trigger Update: Updates all DAC outputs on an external event
 - Sequencer Update: Updates all DAC outputs after the sequencer timer has elapsed

Each TPMC851 is factory calibrated. The calibration data is stored in an EEPROM unique to each TPMC851.

The 16 digital TTL tri-state I/O lines with 4.7k Ω pull up resistors are ESD protected and protected against overvoltage. All 16 lines can be individually programmed as input or output, and can generate an interrupt on negative and positive transitions. Each input has an electronic debounce circuit to prevent short spikes on the input lines to cause an interrupt. The digital inputs can supply the external signals for the ADC and DAC sequencer and the 32 bit counter.

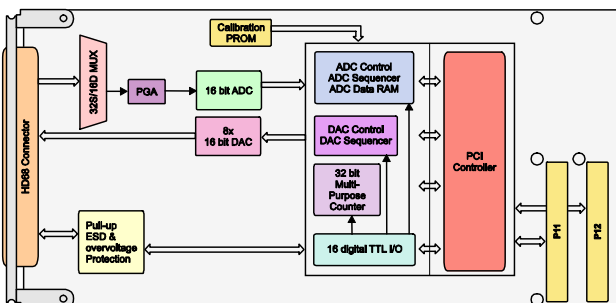
Additionally the TPMC851 offers a 32 bit multi-purpose counter. The counter includes a 32 bit preload register and a 32 bit compare register. The 32 bit counter can be fed with an internal clock or with an external signal supplied by the digital inputs. The 4 counter input modes determine the interpretation of the input signals. Additionally 3 count modes, which describe the behavior of the counter, and 4 control modes are available:

- Counter Input Modes
 - Internal clock with prescaler
 - Up/Down count
 - Direction count
 - Quadrature count with 1x, 2x or 4x resolution multiplier
- Count Modes
 - Cycling Counter
 - Divide-by-N
 - Single Cycle
- Control Modes
 - Load on Control
 - Latch on Control
 - Gate on Control
 - Reset on Control

For First-Time-Buyers the Engineering Documentation TPMC851-ED is recommended. The Engineering Documentation includes TPMC851-DOC, schematics and data sheets of TPMC851.

Technical Information

- Standard single-width 32 bit PMC module conforming to IEEE P1386.1
 - Target Chip: PCI9030 (PLX Technology)
 - PCI 2.2 compliant interface
 - PCI I/O signaling voltage 5V and 3.3V
- 32 channels single-ended or 16 channel differential 16 bit multiplexed analog input
 - Programmable gain amplifier (gain 1, 2, 4 or 8)
 - Full-scale input range: $\pm 10V$ (at gain 1)
 - Conversion time depends on mode: min 1.25 μs , max 17.25 μs
 - 70Vpp overvoltage protection
 - Sequencer
- 8 channels 16 bit analog output
 - Output voltage: $\pm 10V$
 - Conversion time: 10 μs
 - Up to 10,000pF capacitive load
 - Sequencer
- 16 digital TTL I/O lines with pull up resistors
 - Individually programmable as input or output
 - Programmable debounce time (100ns – 6.55ms)
 - Interrupt capable
 - 32mA source/sink
 - 4.7k Ω pull-up resistor
 - ESD and overvoltage protected
- 32 bit multi-purpose counter
 - 32 bit preload register
 - 32 bit compare register
 - Various count- and control modes
 - Count frequency: External clock up to 10 MHz; internal clock 5, 10, 20 or 40 MHz
- Factory calibrated, calibration data stored in EEPROM
- Operating temperature -40°C to +85°C



Order Information

RoHS Compliant

TPMC851-10R Multifunction I/O (16 bit AD/DA, TTL I/O, Counter)

None RoHS Compliant

TPMC851-10 None RoHS compliant version of TPMC851-10R

Documentation

TPMC851-DOC User Manual
TPMC851-ED Engineering Documentation (TPMC851-DOC, Schematics, Assembly Drawing, Data Sheets)

Software

TPMC851-SW-25 Integrity Software Support
TPMC851-SW-42 VxWorks Software Support (Legacy and VxBus-Enabled Software Support)
TPMC851-SW-65 Windows XP/XPE/2000 Software Support
TPMC851-SW-72 LynxOS Software Support
TPMC851-SW-82 LiNux Software Support
TPMC851-SW-95 QNX 6 Software Support

For other operating systems please contact TEWS.

Related Products

TA304-10 Cable Kit for modules with HD68 connector