

Author: G. REZOHIER

Date of the revision 2022-01-18: Rotor mold change

RANGE: Double inlet centrifugal fans with single phase asynchronous motor

OEP	9903303	Test	LC41Ba	Customer	ECOFIT
		Winding	W13	Reference	
Drawing of the product	BIS_U05-13-3_l=h.pdf			Designation	2GRF65 180x52R



ELECTRICAL DATA

Speed		
Tension (V)	230	230
Frequency (Hz)	50	60
Current (A)	1.79	1.80
Maximum current (A)	2.26	2.23
Power (W)	411	413
Maximum power (W)	467	476
Rotation (RPM)	2145	2580
Cos Φ	0.998	0.998
Temperature min/max (°C)	-20/+40	-20/+40
Capacitor (µF)	8.00	8.00
U_condo (V)	400	400
Comments		

Winding temperature cold (Temperature at 20°C, tolerances 7%)

PP	PA
19.0 Ohm	20.5 Ohm

Temperature variation (110% of the voltage)

F (Hz)	Average elevation (°K)	Speed
50 Hz	83 °K	
60 Hz	97 °K	

Dielectric strength 1500 VAC 60 seconds

Direction of rotation CW

MARKING & STANDARDS

Conformity

- CE



η max=34.7%
N144
AtRisk

Thermally Protected 48-21- 0000
L05-13

The product is manufactured in accordance with EN 60335-1, and RoHS directive 2015/863/CE
IP class according to EN 60034-5 to be checked with operation and installation

Issued: 2022-01-18 at 13:47 Documentations and pictures are non contractual, all the data of the technical file and the drawing are subject to change.

Réf. EV EC 025 - Revision b
Old DT EN - Page 1 / 4

Author: G. REZOHIER

Date of the revision 2022-01-18: Rotor mold change

TECHNICAL DATA

Description

- Weight: 5.90 kg
- Without Condensat Drain Holes
- Class F
- Protection level: 54 | Protection against ingress of dust / Protection against ingress of water : splashing
- Motor's protection T150° C Automatic reset
- Bearing type: 2 ball bearings 6001ZZ
- Balance level: G2.5

Special features

- any

Limiting conditions of operation

- Prohibited area below 300Pa at 50Hz
- Prohibited area below 650Pa at 60Hz

ADDITIONAL DATA

Documentations

- Operating and recycling manual
<http://www.ecofit.com/anglais/normes>

Measurement setup

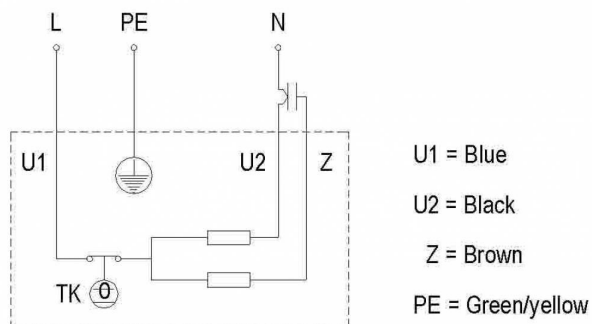
- Scroll 15270-0 VOL VJ86D

Author: G. REZOHIER

Date of the revision 2022-01-18: Rotor mold change

CONNECTORS

Wiring diagram



ERP DATA

Data according to ErP directive

Tension	230 V
Frequency	50 Hz
Power ¹	0.28 kW
Airflow ¹	515 m ³ /h
Pressure ¹	679 Pa
Rotation ¹	2571 RPM
Catégorie de mesure	A
Catégorie de rendement	total
Variateur de vitesse	No
Rapport spécifique	1.00

- Designed for standard applications according to the directive EU 2009/125/EC

	Actual	2015
Rendement global	34.7	34.2
Niveau de rendement	44	44

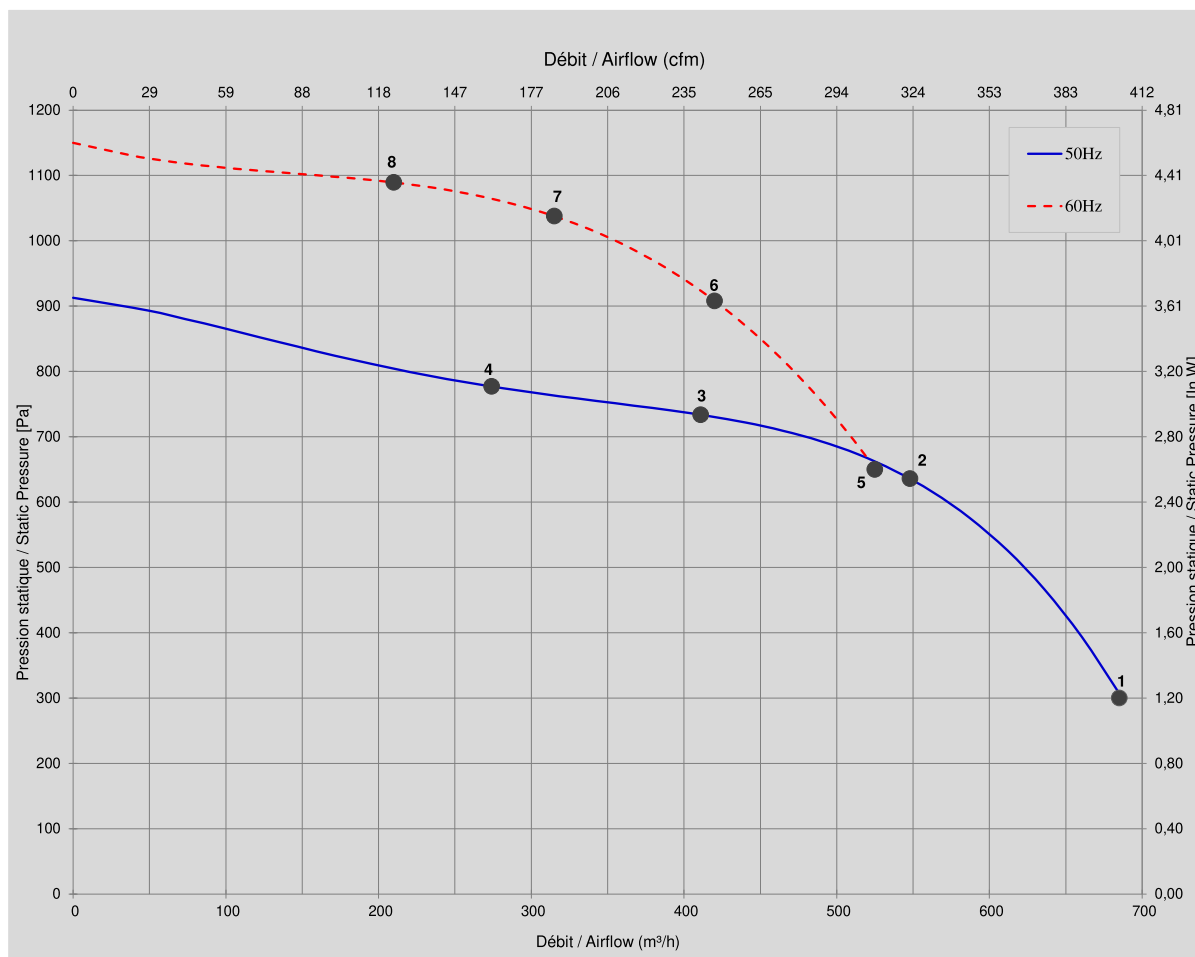
¹ at optimum energy efficiency point

The product is manufactured in accordance with EN 60335-1, and RoHS directive 2015/863/CE
IP class according to EN 60034-5 to be checked with operation and installation

Issued: 2022-01-18 at 13:47 Documentations and pictures are non contractual, all the data of the technical file and the drawing are subject to change.

Réf. EV EC 025 - Revision b
Old DT EN - Page 3 / 4

TECHNICAL DATA

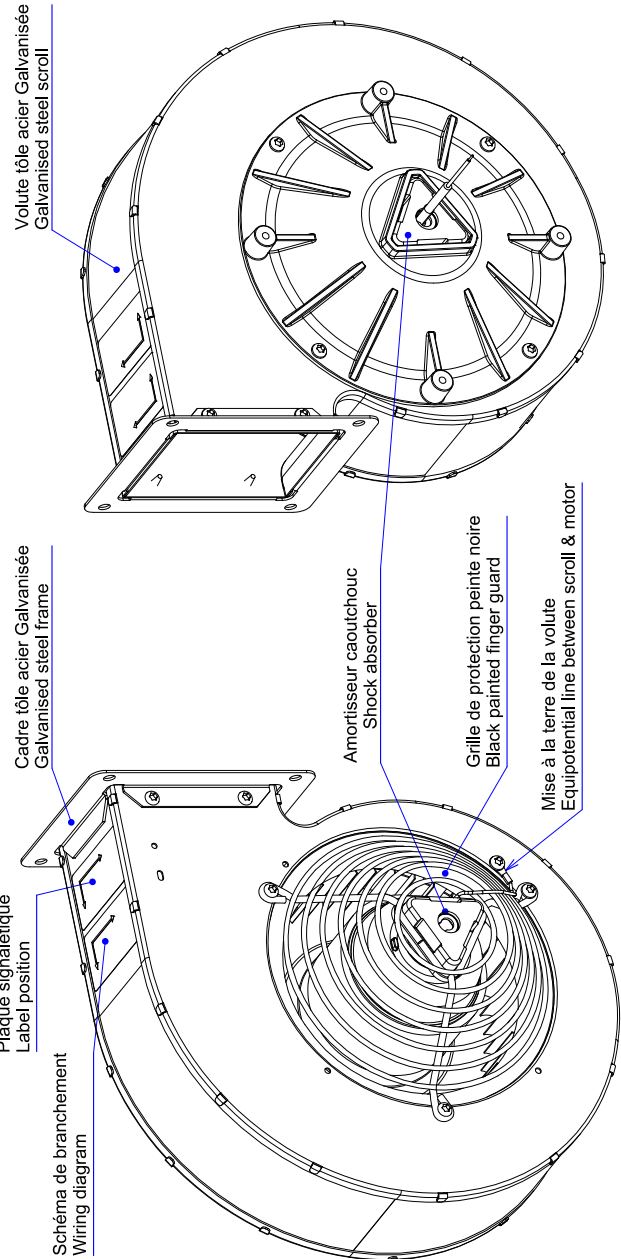
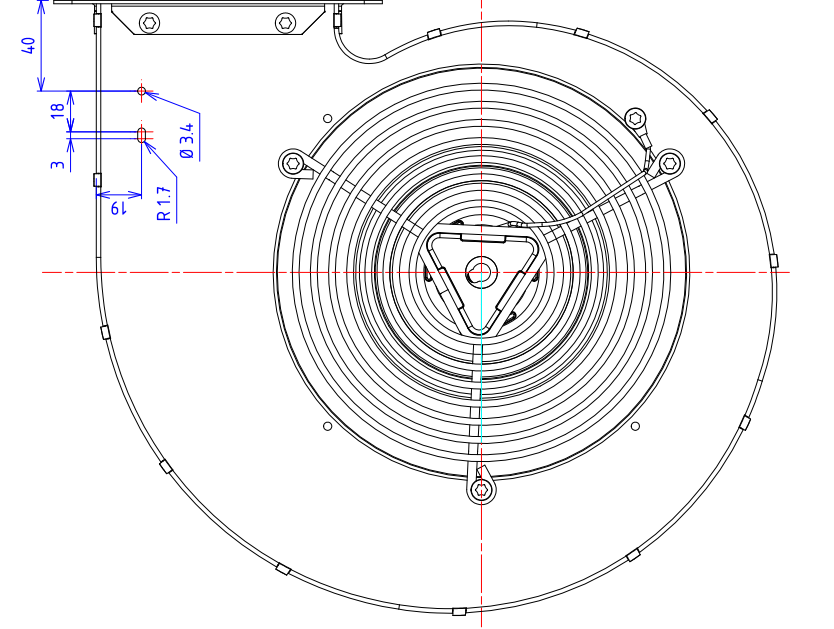
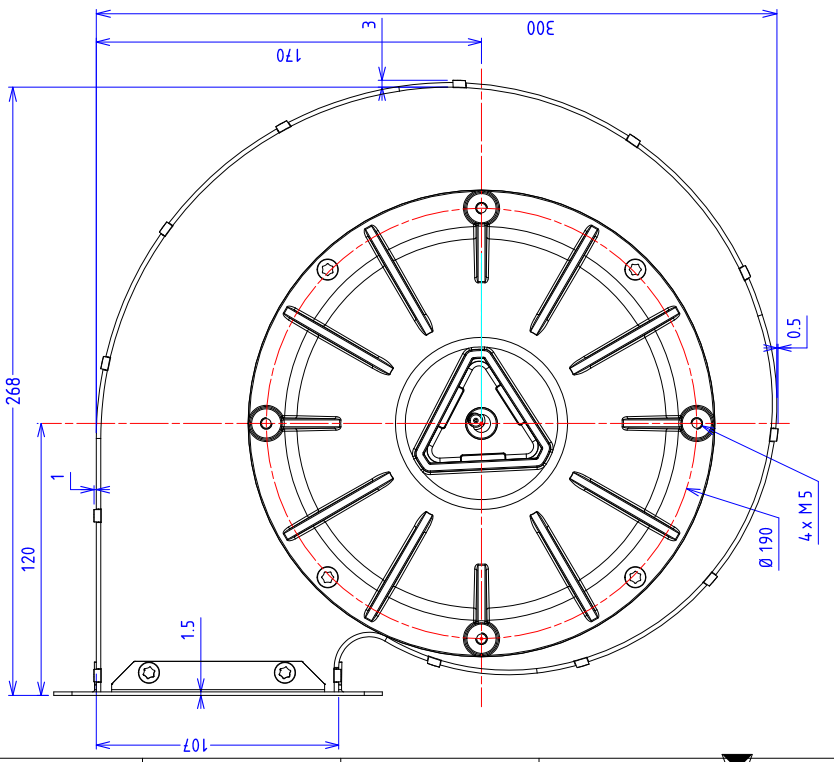
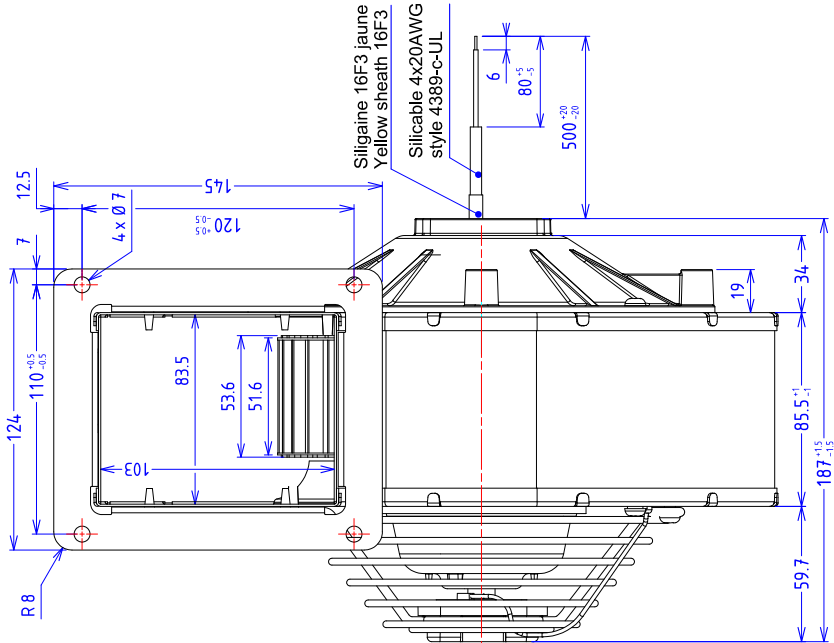


Mesures / Measured Values *

	Un (V)	F (Hz)	C (µF)	P (W)	n (RPM)	Q (m³/h)	P (Pa)	Q (cfm)	P (In.W)	Lp _{in} (dBA)
1	230	50	8	411	2145	685	300	403	1,202	
2	230	50	8	301	2504	548	636	323	2,547	
3	230	50	8	242	2714	411	734	242	2,939	
4	230	50	8	213	2846	274	777	161	3,113	
5	230	60	8	413	2580	525	650	309	2,604	
6	230	60	8	347	2996	420	908	247	3,638	
7	230	60	8	311	3186	315	1038	185	4,158	
8	230	60	8	295	3233	210	1089	124	4,364	

* Air performance measured according to: ISO 5801, installation category C.
Intake-side sound level: according to ISO 3744, LpA measured at 1 m distance from fan axis. The values given are only applicable under the specified measuring conditions and may differ depending on the installation conditions. In the event of deviation

The product is manufactured in accordance with EN 60335-1, and RoHS directive 2015/863/CE
IP class according to EN 60034-5 to be checked with operation and installation



h	26/11/2021	Passage en montage GDF4 Update with GDF4	PT
g	23/11/2021	Passage en volute agrafée & tôle acier galvanisée. (Passage in stapled volute & galvanized steel sheet)	PT
f	26/11/2018	Mise à jour des valeurs de résistances	rd
e	28/06/2013	Fiche technique conforme à la directive E-P	rd
d	08/09/2009	Changement plaque support	rd
c	05/01/2005	SF26823.0 remplace SF26582-a	rd
IND	DATE	LIBELLÉ	AUT
Ech./scale			Etat de surface :
0.600			Fiche technique / Data sheet
Formas : A2			EV.EC.025
Folles : 1/1			Tolérances générales : ± 1mm
Drawing by : TP			Protection :
Verify by : pt			
Treatment : -			
Date : 23/05/1996			

DOUBLE INLET CENTRIFUGAL FAN
MOTO VENTILATEUR
2GRF65-180x52R

