



## BUTTERFLY VALVES

VF

### APPLICATIONS

The VF series of butterfly valves are designed for use in LPW (low pressure water) heating and air conditioning systems.

TYPE	DN	KVS m <sup>3</sup> /h	DIFF. PRESSURE bar	ACTUATOR 24 Nm. - 32 Nm.	WATER TEMP. °C
VF32	32	40	10	DAL.../ DML24	-15...+90
VF40	40	50	10	DAL.../ DML24	-15...+90
VF50	50	99	8	DAL.../ DML24	-15...+90
VF65	65	170	6	DAL.../ DML24	-15...+90
VF80	80	261	6	DAG.../ DMG24	-15...+90

<b>Accessory</b>	KIT-VF32/80 - assembly kit for butterfly valves VF
------------------	--

**Note:** the valves are supplied with assembly kit model KIT-VF32/80

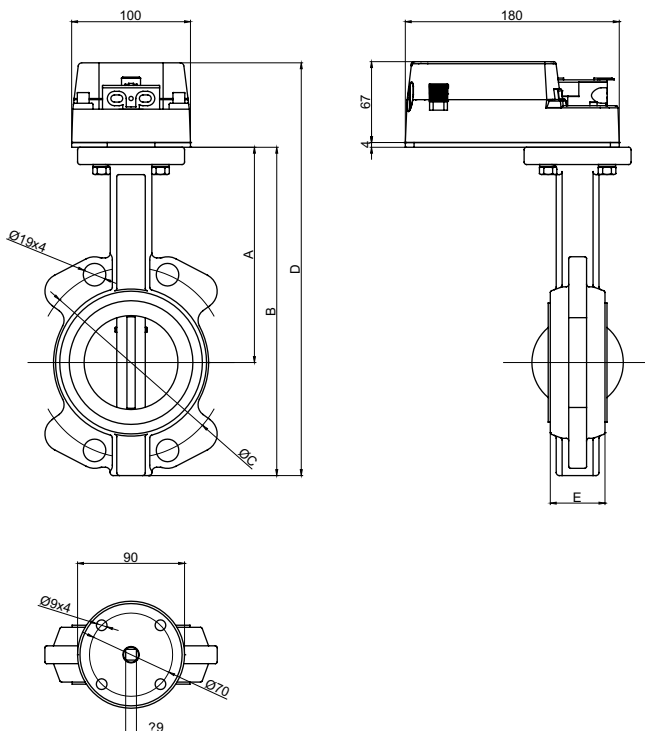
### TECHNICAL DATA

**Nominal pressure:** PN16  
**Body:** Cast-iron  
**Seat:** EPDM  
**Shaft:** Stainless steel (AISI - 416)  
**Disc:** Nickel iron (GGG40)

### CHARACTERISTICS

- Low weight and dimensions
- Easy disassembly and assembly
- Low cost of maintenance
- Low pressure drop
- Easy operation
- Automatic regulating
- Perfect sealing

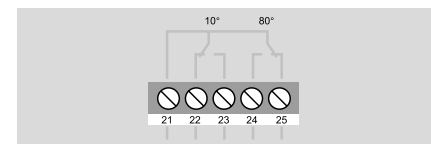
### OVERALL DIMENSIONS (mm)



### WIRING DIAGRAM



### AUXILIARY SWITCHES



DN mm	A	B	C	D	E
32	120	185	100	256	33
40	120	195	110	266	33
50	162	238	125	309	43
65	175	264	145	335	46
80	181	276	160	347	46

