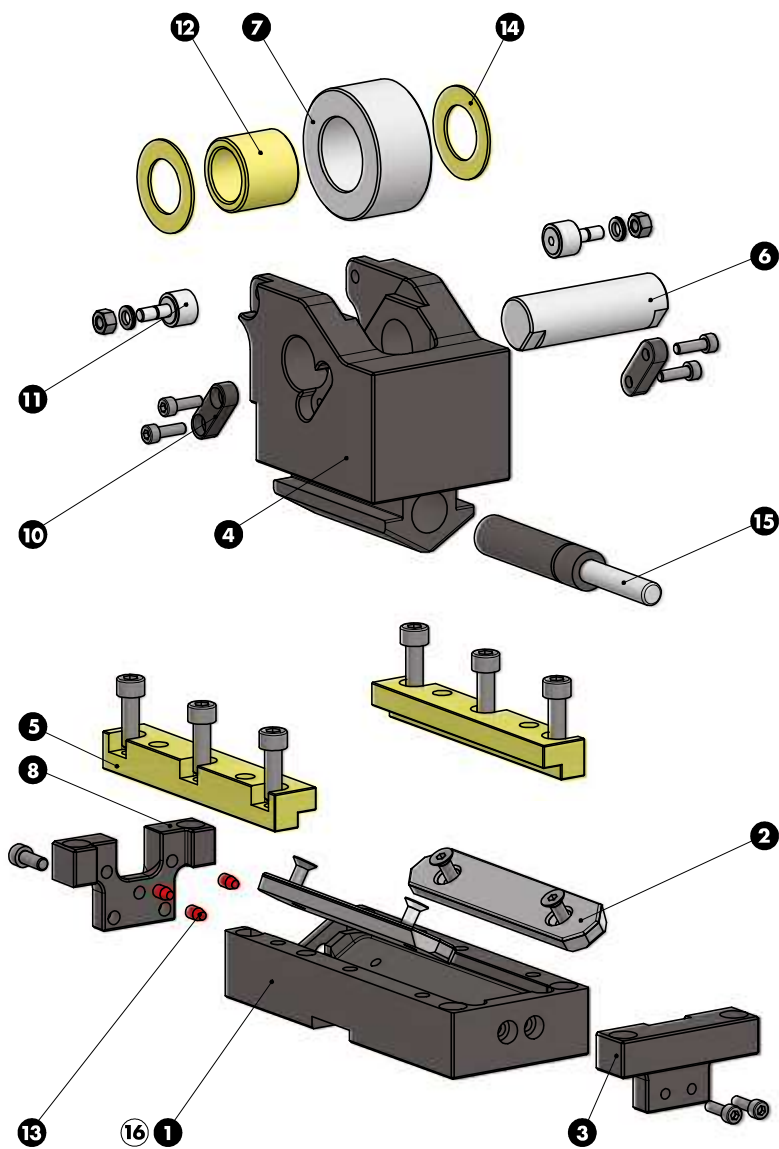
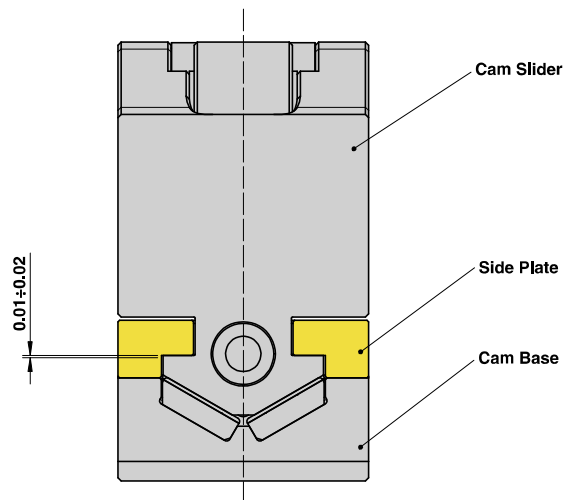




ROLLER CAM UNIT - ROLLENSCHIEBER - CAMMA A RULLO




ROLLER CAM UNIT - ROLLENSCHIEBER - CAMMA A RULLO
SLIDER STRUCTURE AND CLEARANCES


Cam Units CRX

PART LIST

Particular number	Description	Material	Quantity
1	Cam Base	CK45	1
2	Wear Plate	St42 + Syntered layer	2
3	Spring Stopper Plate	CK45	1
4	Cam Slider	CK45	1
5	Side Plate	CuZn25Al5 + Graphite - HB > 190	2
6	Pin	16NiCrMo4	1
7	Roller	100Cr6	1
8	Stopper Plate	CK45	2
10	Key	CK45	2
11	Roller KRV16PPA	CK45	2
12	Self-Lubricating Bush	CuZn25Al5 + Graphite - HB > 190	1
13	Elastomer Cap	Elastomer 92SH	3
14	Washer PCMW 264401.5M	-	2
15	Gas Spring	-	1
16	Cam Base Fixing Screws M8x30 DIN 912	-	4