

909

CAN | CANopen | SAE J1939
Emission Control Tier 4

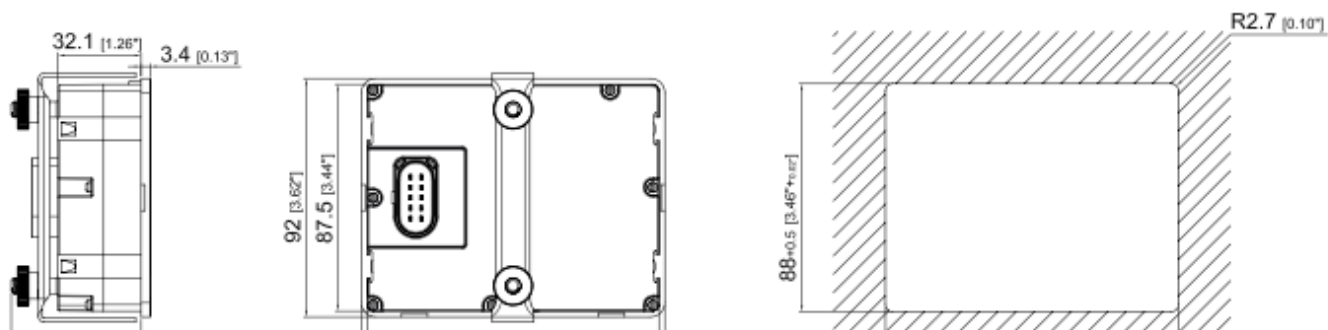


BAUSER instrument cluster with TFT colour display technology and lots of extras

Excellent visualisation: 3.5" display, 320x240 pixels, 4 buttons, 4 LED warning lamps, digital and analogue inputs as well as a CAN-bus interface with CANopen or SAE J1939 protocols, RTC with battery backup for date and time, further clear text indications like errors, diagnostic data etc.

Please send us your requirements and we would find a fitting solution for you.

Casing:	Material: PBT-GB30, black Front side: chemical and UV resistant polyester foil Viewing area: low-reflective mineral glass
Display:	3,5" TFT colour LCD, transmissive
Resolution:	QVGA, 320x240 pixels, 16-bit colour
Aspect ratio:	4:3
Mounting direction:	Horizontal
Warning lamps:	4 LEDs, can be read clearly under direct sunlight
Buttons:	4 buttons with a clear tactile feedback
Electrical interfaces:	2x analogue or digital inputs (custom configuration) 1x digital input 1x voltage supply measuring 1x CAN ISO 11898 interface
Protocol:	CANopen, SAE J1939
Date and time:	Real Time Clock with internal battery backup
Voltage supply:	8...36 VDC
Ambient temperature:	-30°C...+85°C
Storage temperature:	-40°C...+85°C
Electrical connection:	Compatible with 10 pole VW connector type 6X0 973 815
Fixing:	Metal clamps with screws
Protection class:	IP67 front, IP40 back (optionally IP65)
Vibration resistance:	EN 60068-2-64
Shock resistance:	EN 60068-2-27, EN 60068-2-29
EMC:	DIN EN 12895, EN 55022, EN 61000-4-2, -3, -4, -6, ISO 7637-2, -3, ISO 16750-2
Approval:	CE
Options:	Goretex™ membrane, back IP65, backlit buttons, second CAN ISO 11898 interface, buzzer, fixing with 4 snap-in-clamps (shorter mounting depth), custom front foil, mounting direction: vertical, 5 LED warning lamps, electrical connection: Tyco Super Seal, 26 poles, instruments with TFT colour displays in 4.3", 5" and 7" – on request



50.1 [1.97°]

112.5 [4.43°]

117 [4.60°]

113+0.5 [4.45°+0.02°]