



2GDS35 133x190L \*\*

L23-A8 p



**DATA SHEET**

release. a - Revision 07-2014

Replace Z18-19 p

Voltage	Frequency	Input Power	Input Current	Capacitor	Airflow	Rotation speed	Acoustic level	Direction rotation	Admissible Temperature	
V	Hz	W	A	µF	m³/h	RPM	dBA	↻	Min/Max	
230	50	234	1,02	4,0	750	1905	56	L	-20°C / +60°C	
230	60	246	1,08	4,0	615	2040	53	L	-20°C / +40°C	
230	50	441 CFM						-4°F / 140°F		
230	60	361 CFM						-4°F / 104°F		



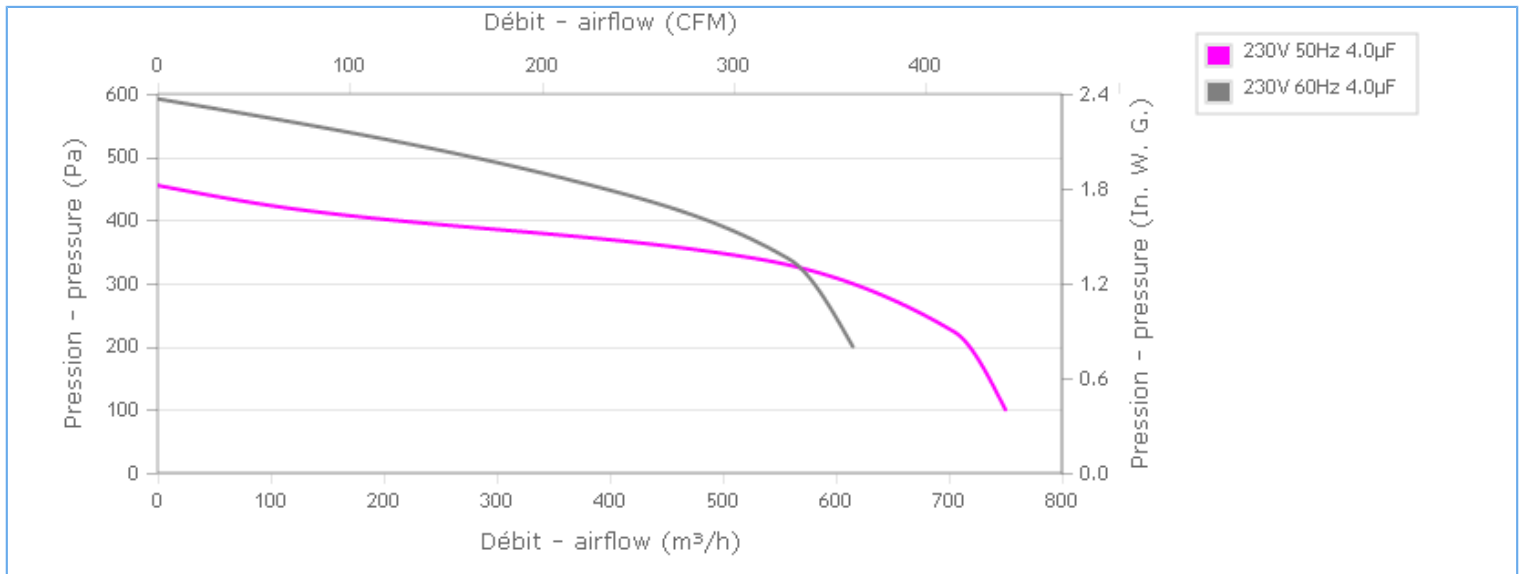
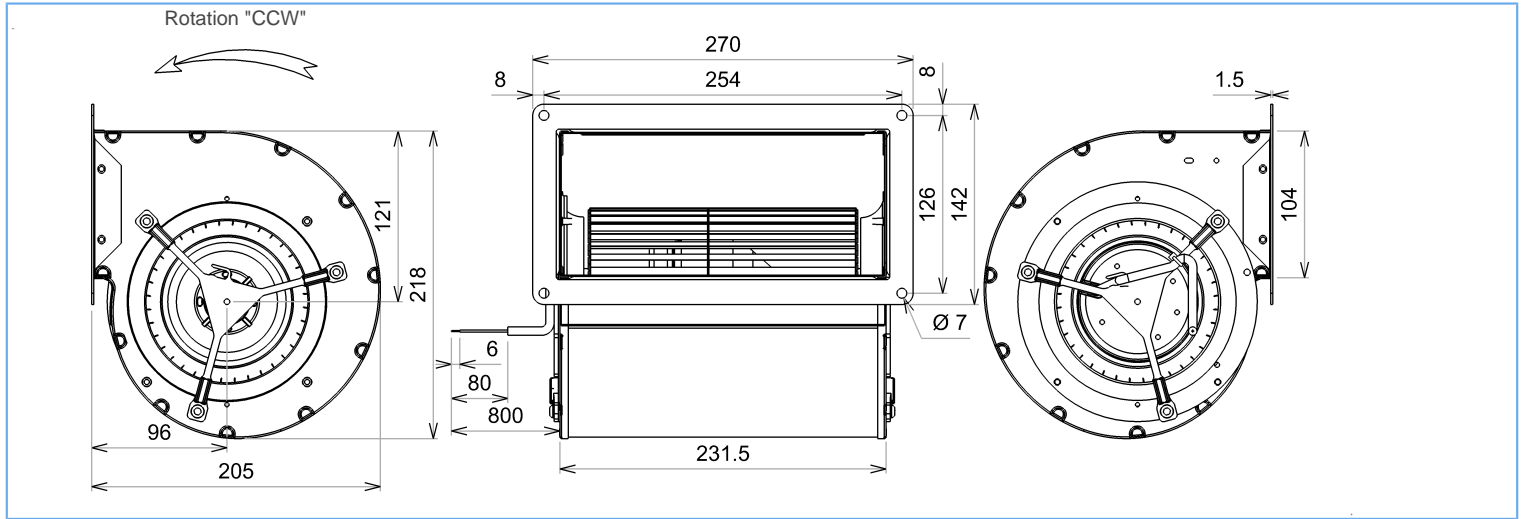
dBA : free blowing

ErP 2013

OK

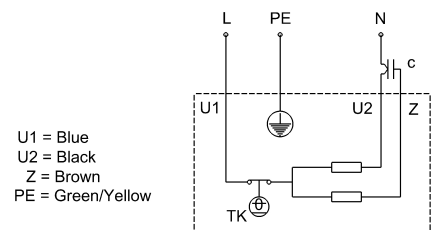
ErP 2015

OK



**Description**

- .Weight : 4,0 Kg
- .Ball bearing
- .Class F, thermally protected
- .IP44 protection depending on installation and position as per EN60034-5
- .G2.5 balancing
- .Scroll housing : black paint
- .Galvanized steel impeller



Non contractual document. All specifications are subject to change without prior notice. Picture for information only.



2GDS35 133x190L \*\*

L23-A8 p



**DATA SHEET**

release. a - Revision 07-2014

Replace Z18-19 p

**Data in accordance to ErP directive**

Voltage	230	V
Frequency	50	Hz
Power	0,153	kW <sup>(1)</sup>
Airflow	530	m <sup>3</sup> /h <sup>(1)</sup>
Pressure	339	Pa <sup>(1)</sup>
Rotation speed	2553	RPM <sup>(1)</sup>

(1) at optimal efficiency point

	Actual	Request 2013	Request 2015
Overall efficiency ( $\eta$ )	32,6	25,5	32,5
Efficiency grade	44	37	44
Installation category	A		
Efficiency category	static		
Variable speed drive	No		
Specific ratio	1,00		

Designed for regular application according ErP directive EU 2009/125/EC

**Accessories**

- 19019
- 19019
- 21338
- 09145

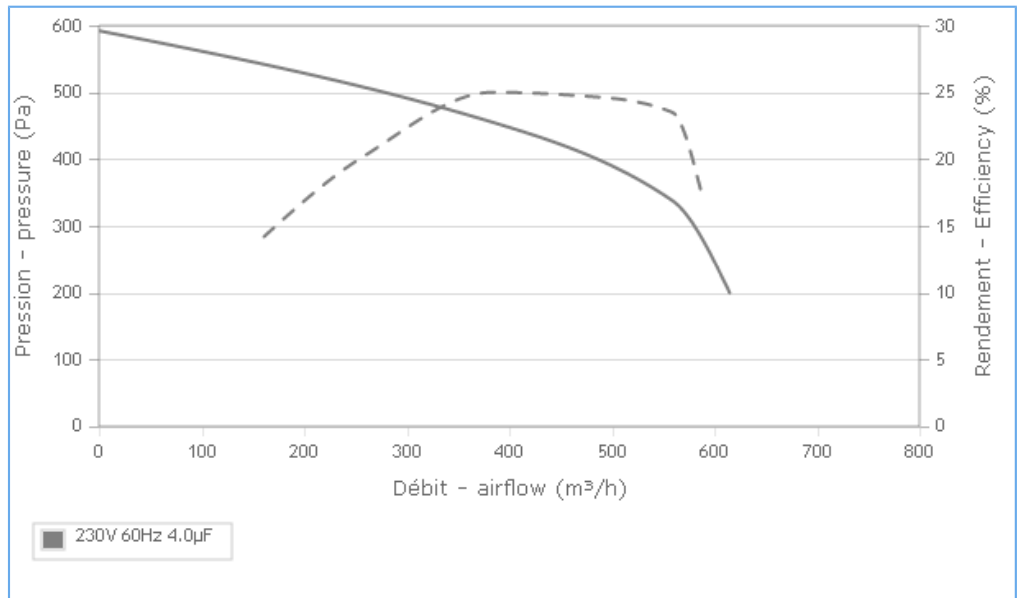
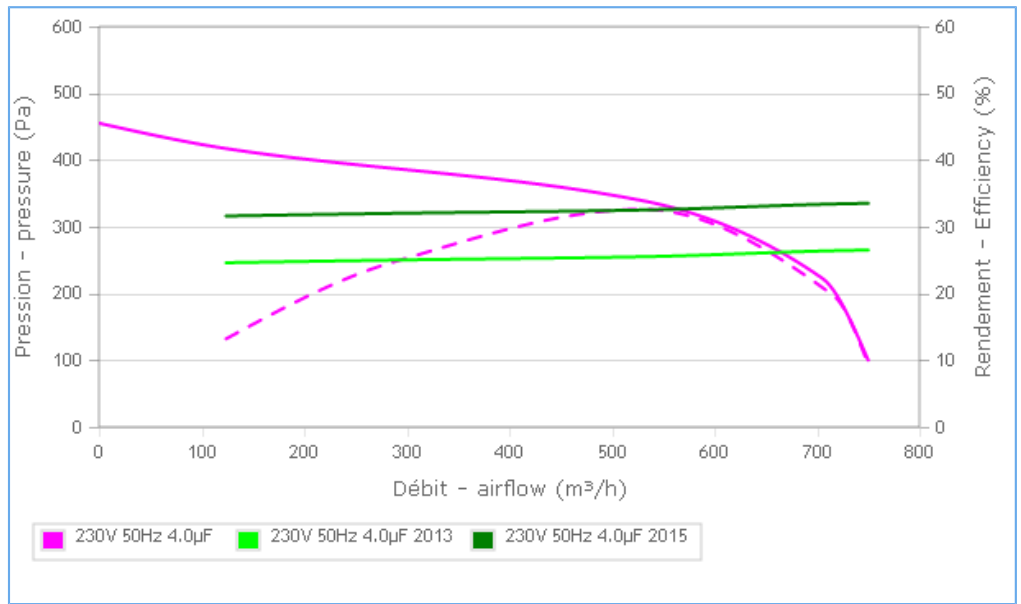
**Measurement setup**

Contact ECOFIT

**Documents**

Manuel d'utilisation  
[www.ecofit.com/site/normes](http://www.ecofit.com/site/normes)

Operating and recycling manual  
[www.ecofit.com/anglais/normes](http://www.ecofit.com/anglais/normes)



Non contractual document. All specifications are subject to change without prior notice. Picture for information only.

