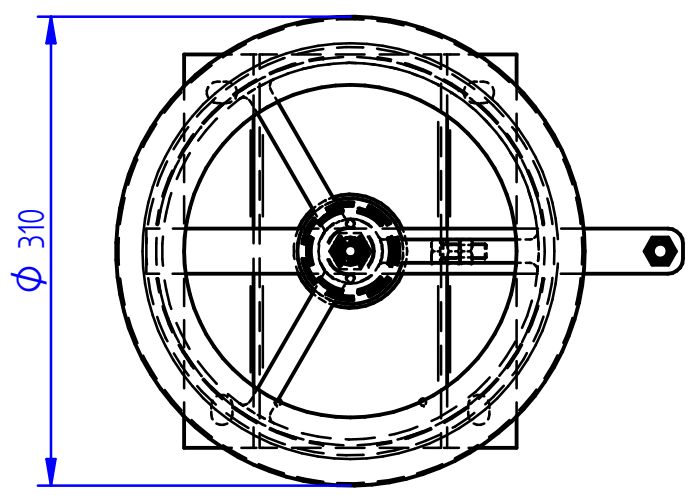
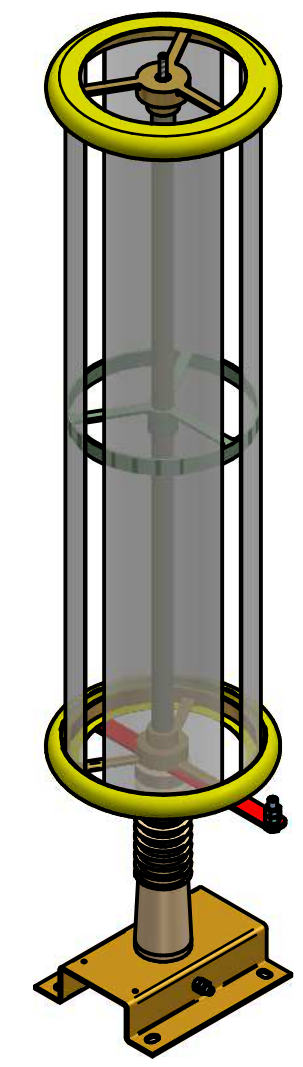
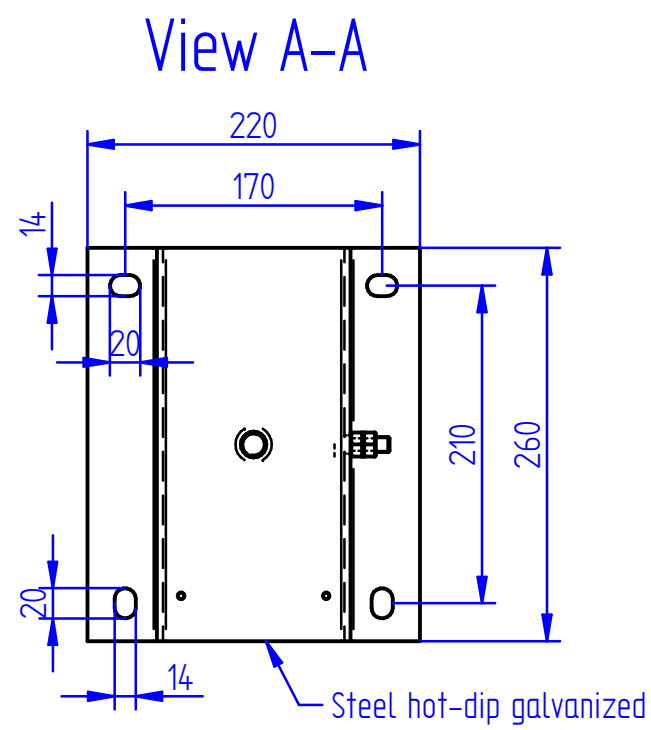
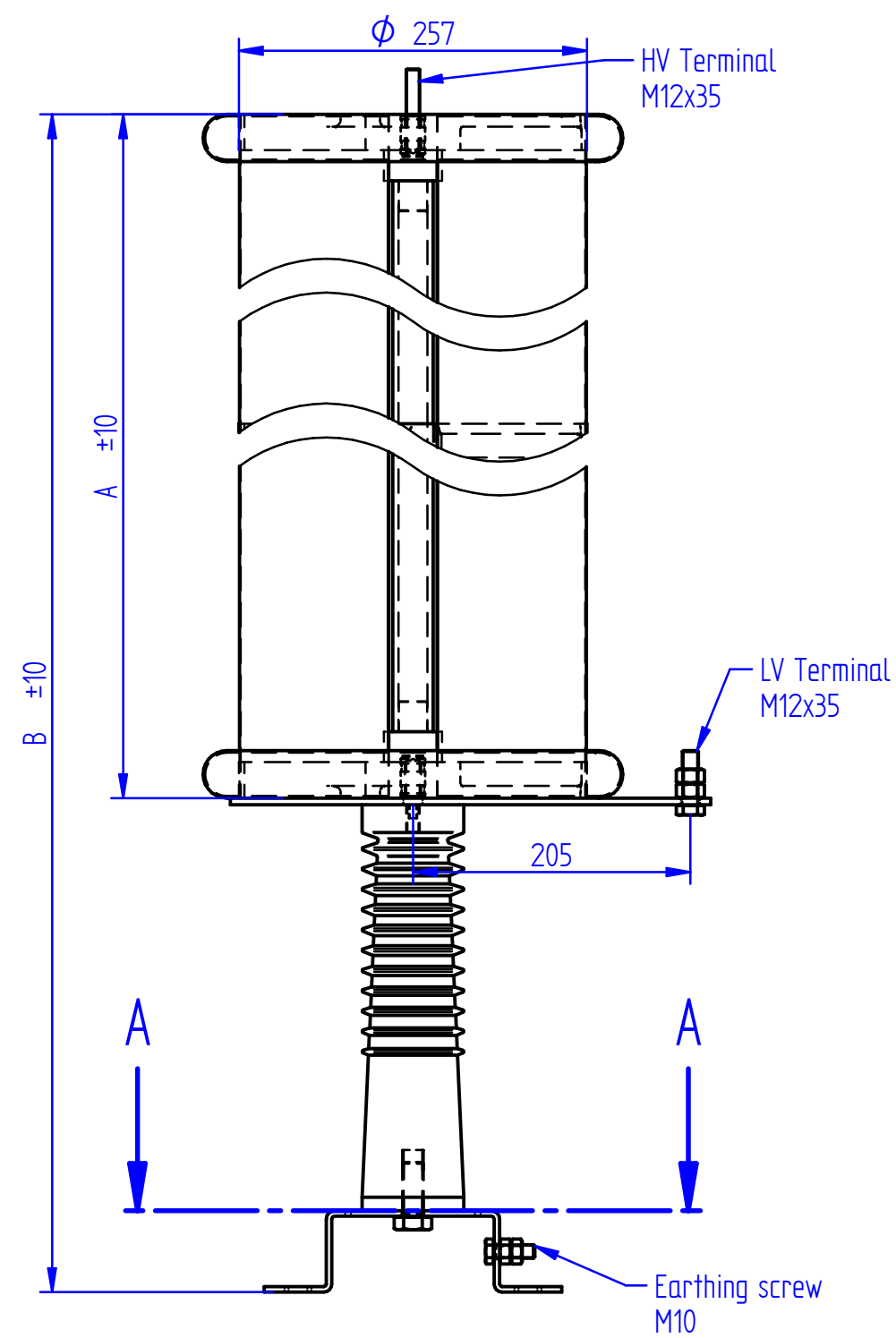


The copyright of this drawing remains by us.
It must not be copied without our written permission, or handed
over to third parties.
Contrainvention will be prosecuted.



21610014	805	1365	17	50	1800	6	30	125
21610018	1005	1685	20	50	2800	7,48	80	170
21610020	1205	1885	20	120	1400	3,42	40	200
21610022	1205	1760	18	100	1800	4,24	40	195
21610027	1005	1685	19	150	400	1,6	40	170
21610028	1005	1565	18	50	2800	7,48	50	170
21610039	805	1070	12	50	1404	5,3	80	125
21610053	1005	1370	15	70	2500	6	80	170
21610056	1105	1670	20	120	1000	2,86	80	200
21610133	805	1365	14	50	2000	6,32	30	125
21610135	1005	1685	20	50	3000	7,75	80	170
21610136	905	1465	18	50	2500	7,07	30	125
21610138	805	1485	19	50	1800	6	40	170
21610141	1005	1395	22	150	2000	3,65	40	185
21610146	805	1075	18	80	2000	5	20	125
ICAR-No.	A	B	Weight/kg	R/Ohm	P/W	I/A	W/kJ	kV BIL

Scale: 1:10;15;1:1,053

Act. release checked: M-Streit | Drawn by: J-Wördemann | Checked by: M-Streit | Issue date: 2005-08-26

CSN status of document: Freigegeben

Filter Damping Resistor for indoor use IP00

1.05.240.0.0

Rel. N | Release date: 2016-07-26 | Lang. en | Sheet

* + D O C C - 0 0 0 8 9 8 9 3 + *