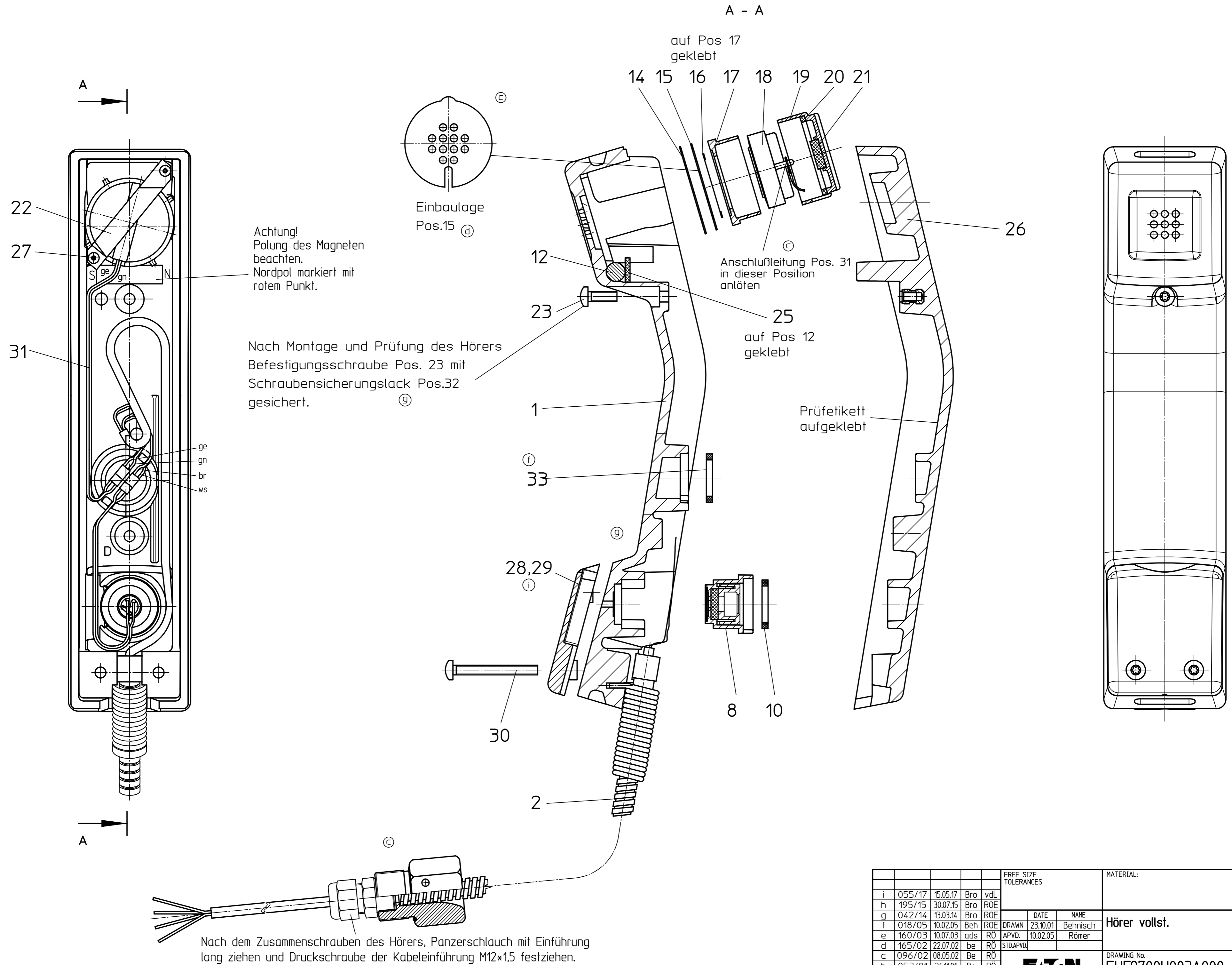


EATON FHF • Geberallee 15-19 • D-45478 Mülheim a.d.R. • Germany  
THIS DRAWING IS CONFIDENTIAL AND IS THE PROPERTY OF EATON AND MUST NOT BE REPRODUCED EITHER WHOLLY OR PARTLY. ALL RIGHTS IN RESPECT OF PATENTS, DESIGNS AND COPYRIGHT ARE RESERVED



					FREE SIZE TOLERANCES			MATERIAL:		
i	055/17	15.05.17	Bro	vdL						
h	195/15	30.07.15	Bro	ROE						
q	042/14	13.03.14	Bro	ROE						
f	018/05	10.02.05	Beh	ROE	DRAWN	23.10.01	Behnisch	Hörer vollst.	SCALE 1:1 2:1	
e	160/03	10.07.03	ads	RÖ	APVD.	10.02.05	Römer			
d	165/02	22.07.02	be	RÖ	STD.APVD.					
c	096/02	08.05.02	Be	RÖ						
b	053/01	26.11.01	Be	RÖ						
REV.	REV.No.	DATE	DRAWN	APVD.	HAZARDOUS AREA COMMUNICATIONS				DRAWING No. <b>FHF9700U003A000</b>	(2)
									replacement for	SHEET 1 OF 1