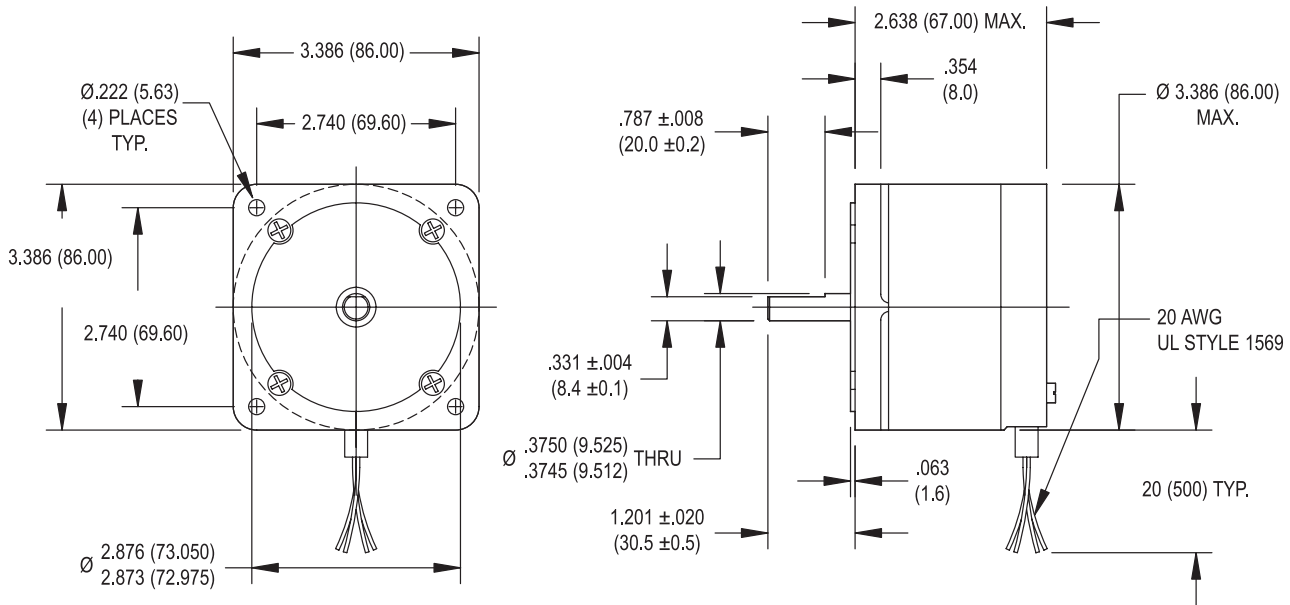
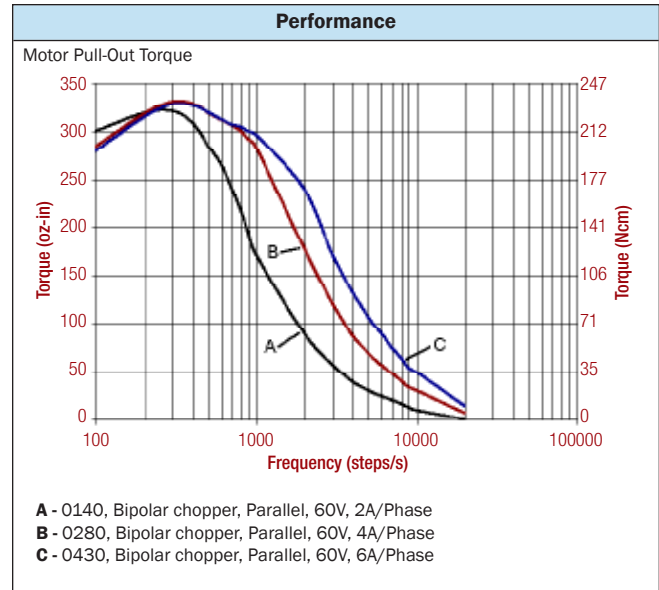


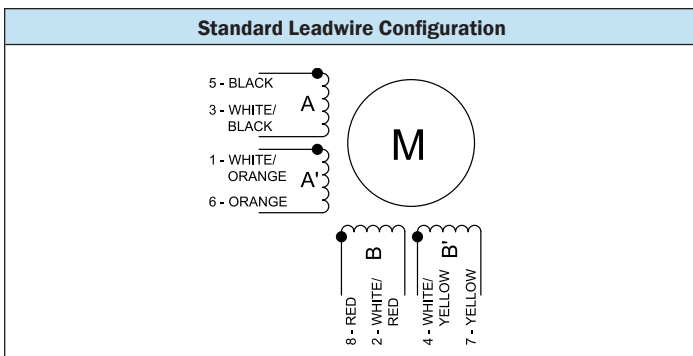
SIZE 34 STEPPER MOTOR DATA



Specification	Units	HN 200 3426		
		0140	0280	0430
Rated Phase Current	A	1.40	2.80	4.30
Phase Resistance	Ω	5.0	1.3	0.55
Phase Inductance	mH	21	5.1	2.1
Holding Torque Unipolar	oz-in	326	326	326
	Ncm	230	230	230
Holding Torque Bipolar	oz-in	397	397	397
	Ncm	280	280	280
Detent Torque	oz-in	12	12	12
	Ncm	8.5	8.5	8.5
Rotor Inertia	oz-in-s ² x10 ⁻⁴	93	93	93
	g-cm ²	660	660	660
Motor Weight (Mass)	lb	3.5	3.5	3.5
	kg	1.6	1.6	1.6
Maximum Voltage	V	90	90	90
Std. No. of Leads	—	8	8	8



Available through the MotionExpress program.



- ### Standard Features
- Step angle: 1.8°
 - Step angle accuracy: 5%
 - Insulation class: B (130°C)
 - NEMA 34 mounting configuration
 - Neodymium magnets
 - Additional windings and customization options available
 - CE approved

- ### Complementary Products
- Gearboxes
 - Encoders