



High Resolution and High Performance True Day/Night Cameras

ICD-809P[PAL]/809[NTSC]
ICD-879P[PAL]/879[NTSC]

Model ICD-809P/809 and model ICD-879P/879 are the latest addition to Ikegami's renowned stable of high sensitivity TV cameras which allow wider light spectrum coverage to the near infra-red spectrum to provide clear picture reproduction in very low light conditions. The ICD-809/879 series has a true Day/Night change-over function with well-designed electronically controlled moving filter system.

This latest model, also, comes equipped with an improved CCD sensor providing higher resolution of amazing 540TVL horizontal resolution in colour mode and 570TVL horizontal resolution in monochrome mode, and the ICD-809/879 series inherits various user friendly facilities such as local and RS-485 remote camera setup and adjustment capability, intelligent sensing area spot management BLC function, various modes selection in Auto White balancing including wider spectrum coverage ATW-1 and ATW-2, different modes of AGC control, Privacy Masking Facility, CRT or LCD display optimum monitoring control and electronic shutter function, and these are enhanced by low noise, improved -126dB(ICD-809P/809:-115dB) low vertical smear suppression performance. These variable and precise functions make the ICD-809/879 series the ideal tool for single camera to large scale integrated system applications with I-LAN* RS-485 remote control giving sophisticated visual information management.

* I-LAN; Ikegami remote and telemetry control software over RS-485 network link.

True Day/Night Function

Well designed moving IR cut filter system, inter-connected with the Automatic Gain Control system makes the ICD-809/879 series the ideal Day and Night TV camera, capable of providing a high quality crisp picture reproduction with 570TVL horizontal resolution under ultra low light conditions down to an amazing 0.011lux (ICD-809 series:0.015lux) minimum scene illumination performance.



Colour mode *



Monochrome mode *

Privacy Screen Masking

The ICD-809/879 series comes with an 8 zone privacy masking function, managed by the rear control panel locally, or remotely via I-LAN over RS-485 link. Each zone has a minimum 8 pixel square sized area. This provides pin-point accuracy to cover sensitive areas that need to remain unseen.

Remote and Local Setup Functions

Camera ID numbering, Day/Night Change-over and thresh hold control, Auto White Balance, Detail Correction Management, Sync System Selection, Electronic Sensitivity and Shutter controls, BLC On Off and Spot area setting, etc.

All these are controllable, either locally via the camera rear panel switch array, or remotely via I-LAN software over RS-485 link. This makes the ICD-809/879 series the ideal tool for integrated system applications where high quality visual information management is required.

Intelligent BLC-Back Light Compensation

Well-designed back light compensation facility allows the user to designate two desired areas in a screen to provide compensation for strong back light conditions, resulting in an optimum balanced clear picture reproduction.

High Sensitivity and Low Smear and Noise

Improved interline transfer CCD performance allows a much wider sensitivity from the visible to the near infra-red spectrums to provide better picture reproduction under low light conditions. The improved DSP, digital signal processing circuit permits good Signal-to-Noise ratio with good performance of -115dB(ICD-809P/809)/-126dB(ICD-879P/879) vertical pixel overload protection to suppress the vertical smear that occurs with intense strong light sources.



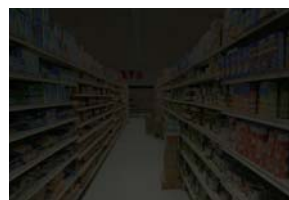
Conventional type camera *



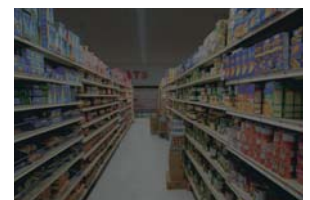
ICD-809/879 series *

Electronic Sensitivity Control (ICD-879P/879 only)

As the ICD-879P/879 is equipped with an electronic sensitivity control function of up to 32 times, it covers the scene which requires high sensitivity.



Conventional type camera *



ICD-879P/879 *

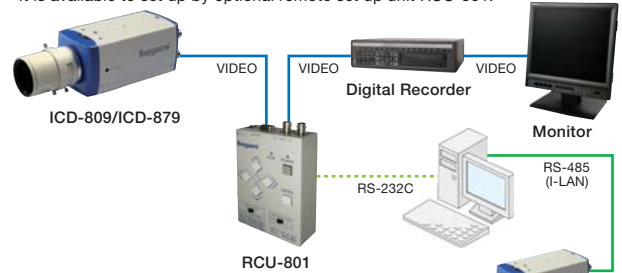
High Resolution and High Performance True Day/Night Cameras ICD-809P_[PAL]/809_[NTSC] ICD-879P_[PAL]/879_[NTSC]

■ Specifications

Image Sensor	1/3" Interline Transfer CCD [ICD-809P/809] 1/2" Interline Transfer CCD [ICD-879P/879]			
Effective Pixels	PAL: 752(H) X 582(V), 440,000 pixels approx. NTSC: 768(H) X 494(V), 380,000 pixels approx.			
Sync System	Internal: Crystal lock or Line-Lock External: GENLOCK *PAL version is internal sync system only. VBS or VS 1.0Vp-p / 75ohm (High impedance Switchable) BBS 0.45Vp-p / 75ohm (High impedance Switchable)			
Video Output	VBS or 1.0Vp-p			
Horizontal Resolution	Colour: 540TV Lines, Monochrome: 570 TV Lines			
S/N Ratio	52dB/rms or better			
Minimum Illumination (Hyper AGC ON)	ICD-809P/809		ICD-879P/879	
	F1.4	F1.2	F1.4	F1.2
Colour [50IRE]	0.2 lux	0.15 lux	0.15 lux	0.11 lux
Mochrome [25IRE]	0.02 lux	0.015 lux	0.015 lux	0.011 lux
Electronic Sensitivity Control ON, Max 32 times multiplication				
Colour [50IRE]	-	-	0.005 lux	0.0037 lux
Mochrome [25IRE]	-	-	0.0005 lux	0.00037 lux
Day/Night Change Over	AUTO/REMOTE/MANUAL Selectable			
AGC	ON (AGC, Hyper AGC) / OFF (LOW,MID,HIGH) Switchable			
White Balance	ATW1/ATW2/AWC/Manual Selectable, Adjustable			
Detail Correction	Built-in (Level Adjustable)			
Back Light Compensation	Built-in, ON/OFF/SPOT Switchable			
Automatic Electronic Shutter	Built-in, ON/OFF Switchable AES Range PAL — 1:2000 NTSC — 1:1600 (Unable to work when power frequency does not meet vertical frequency of the camera)			
Electronic Sensitivity Control	Built-in, Max. 32 times multiplication (ICD-879P/879 only)			
Manual Electronic Shutter	Built-in OFF, 1/60(1/100:NTSC), 1/125, 1/500, 1/1000, 1/2000, 1/4000, 1/10000, VARIABLE VARIABLE: 1/50 (1/60:NTSC) ~ 1/100000 Video Iris / DC Iris Switchable			
Auto Iris Function	Built-in			
Privacy Masking Function	Built-in 1 line, 16 characters			
Camera ID	Built-in			
RS-485 Communication	Built-in for either CRT or LCD type			
Monitor Output Selection	Built-in, Max. 4 times (ICD-879P/879 only)			
Digital Zoom	CS-mount (C-mount Adapter can be used)			
Lens Mount	Built-in (Adjustment mechanism)			
Lens Flange Back	AC230V ±15% 50Hz [PAL] AC24V ±10% 50Hz / DC12V(10.5V~28V) [PAL] AC24V ±10% 60Hz / DC12V(10.5V~28V) [NTSC]			
Power Requirement	AC230V	AC24V	DC12V	
Power Consumption	ICD-809P/809	4.3W or less	4.2W or less	4.3W or less
	ICD-879P/879	5.3W or less	5.3W or less	5.3W or less
Operating Temperature	-10°C ~ +50°C			
Camera Mount	1/4"~20UNC x 2 (Upper bottom select)			
Dimensions	W62 x H55 x D122mm			
Weight	ICD-809P/809 — AC230V : 660g, AC12V/DC12V : 420g ICD-879P/879 — AC230V : 700g, AC12V/DC12V : 500g			
Input/Output Connector	Video output : BNC Lens Iris Control : 4P (plug:E4-191J-150 type) AC24V/DC12V Input : 2P push-in type terminal RS-485 Input/Output : 5P terminal GENLOCK Input: BNC (NTSC version only)			
Accessories	Instruction Manual C-mount Adapter Auto Iris Connector (E4-191J-150 or equivalent, PAL Only)			

Remote Setup Function

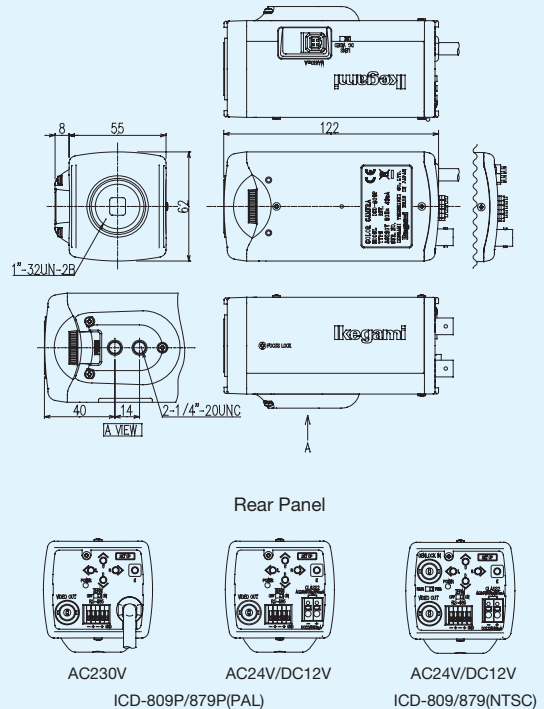
Remote controlled on OSD by I-LAN over RS-485 link.
It is available to set up by optional remote set up unit RCU-801.



New Remote Control Unit, RCU-801 Coax Remote or RS-232C Remote

This unit is a control box for camera setups for various parameters using OSD, On-Screen-Display. And not only conventional Video coax cable connection controls, but also the provision for RS-232C link application is on. This DC12V or AA Battery operated control box makes camera setup and adjustment work very easy and effort-less even in difficult places for camera installation.

Dimensions:mm



* This product is made of ECO friendly components based upon the Company policy and Corporate Social Responsibility to help Global Environmental solution for energy conservation and environmental sustainability, and all the components used in this product are Non-hazardous, Toxic Free, Non-Lead materials and parts conforming with Japan's Green Product Regulation, EU's RoHS Directive, and other environmental and hazardous chemical substances related regulations and laws.



Design and specifications are subject to change without notice.

*NTSC versions are not available with CE Mark.



Ikegami Tsushinki Co.,Ltd.

■ URL : <http://www.ikegami.co.jp/en/>

U136A074H15

■ Head Office

5-6-16 Ikegami, Ohta-ku, Tokyo 146-8567, Japan TEL.+81-(0)3-5700-1111 / FAX.+81-(0)3-5700-1137

■ Overseas Sales Division

5-6-16 Ikegami, Ohta-ku, Tokyo 146-8567, Japan TEL.+81-(0)3-5700-4117 / FAX.+81-(0)3-5700-4120

Ikegami Electronics (Europe) GmbH

■ URL : <http://www.ikegami.de>
<http://www.ikegami.co.uk>

■ Headquarters

Ikegami Strasse 1, D-41460 Neuss, Germany TEL.+49-(0)2131-1230 / FAX.+49-(0)2131-102820



Certified JQA-0755



Certified JQA-EM3888



Accredited by the Dutch Council for Certification

UK CUSTOMER SUPPORT HELP LINE TEL.+44-(0)560-043-3769