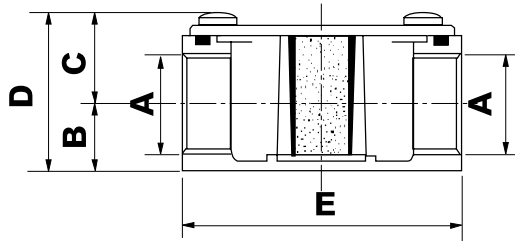
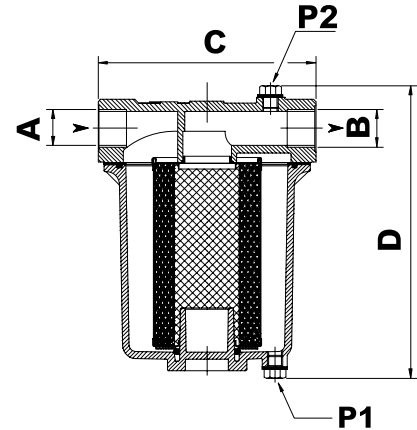


FILTRI PER GAS E ARIA / FILTERS FOR GAS AND AIR

Dimensioni d'ingombro/Overall dimensions

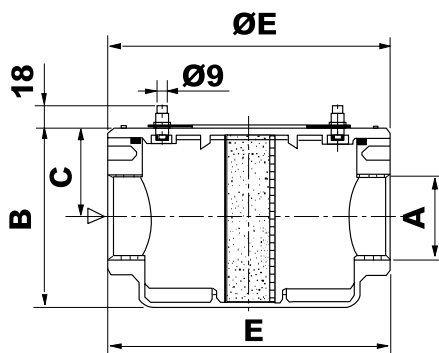


Tipo/Type	A	B	C	D	E
70609	Rp 1/2"	17	22	39	70
70608	Rp 3/4"	17	22	39	70



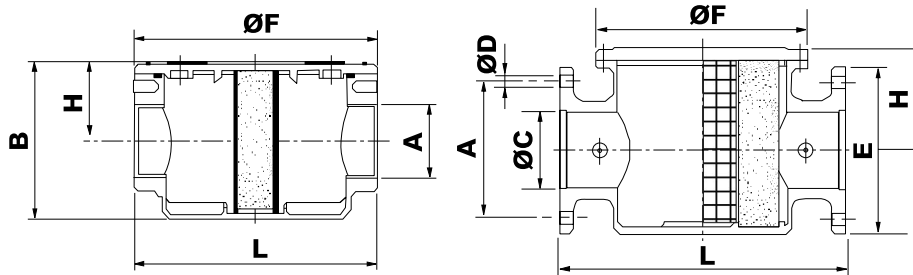
P1 : presa pressione in ingresso  
 P2 : presa pressione in uscita  
 È possibile collegare tra P1 e P2 (Rp 1/2") un manometro o un pressostato differenziale per controllare la caduta di pressione nella cartuccia.

*P1 : inlet pressure tap  
 P2 : outlet pressure tap  
 Between P1 and P2 (Rp 1/2") it's possible to fit a differential pressure gauge or a pressure switch to check the pressure drop on the filter element.*



Tipo/Type	A	B	C	D	E
70611/6B	Rp 1/2"	92	37	20	120
70612/6B	Rp 3/4"	92	37	120	120
70602/6B	Rp 1"	103	50	160	160
70604/6B	Rp 1 1/4"	103	50	160	160
70603/6B	Rp 1 1/2"	103	50	160	160
70631/6B	Rp 2"	140	73	186	186

Tipo/Type	A	B	C	D
70684	Rp 1"	Rp 1"	190	255
70685	Rp 1.1/4"	Rp 1.1/4"	190	255
70686	Rp 1.1/2"	Rp 1.1/2"	190	255
70687	Rp 2"	Rp 2"	182	275



Tipo/Type	A	B	C	D	E	F	H	L
70611/1B	Rp 1/2"	92	-	-	-	120	37	120
70612/1B	Rp 3/4"	92	-	-	-	120	37	120
70602/1B	Rp 1"	103	-	-	-	160	50	160
70604/1B	Rp 1 1/4"	103	-	-	-	160	50	160
70603/1B	Rp 1 1/2"	103	-	-	-	160	50	160
70631/1B	Rp 2"	140	-	-	-	186	73	186
70603F/6B	DN 40	-	110	18	150	130	60	200
70631F/6B	DN 50	-	125	18	165	148	70	230
70610F/6B	DN 65	-	145	18	185	212	91	290
70620F/6B	DN 80	-	160	18	200	240	106	320
70640F/6B	DN 100	-	180	18	220	280	126	380
70650F/6B	DN 125	-	210	18	250	280	145	380
70660F/6B	DN 150	-	240	22	288	310	151	450