

# iGX next generation dry pumps

The iGX dry vacuum pump series sets new standards for zero maintenance between major overhauls. Improved efficiency lowers the cost of ownership and provides continuous pumping duty throughout the pressure range. iGX dry pumps include Ethernet connectivity allowing key data to be viewed via web pages, as well as a comprehensive set of networking options to assure continuous pump availability.

iGX pumps are available in a wide range of peak speeds and variants to address applications from clean through to medium-duty processes. A modular design allows users to configure iGX dry pumps to suit individual fab requirements. A compact footprint allows installation options including on-tool, close proximity, or remote.



## Features and benefits

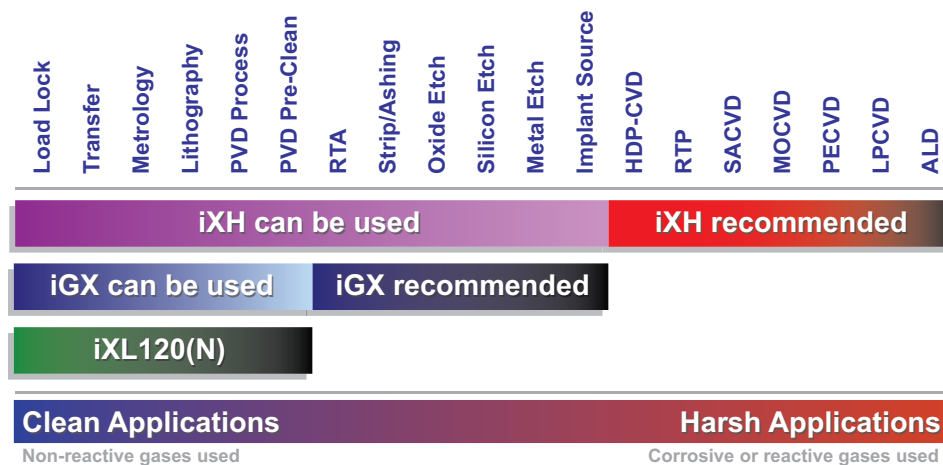
- Reduced cost of ownership
  - Low power consumption
  - Zero preventative maintenance
- Flexible installation options
  - Small and light for easy installation
  - On-tool, close proximity, or remote
- Consistent pumping performance globally
  - Pumping speed identical at 50 and 60 Hz
- Reduced ambient noise
  - Only 55 dB(A)
- Wide range of peak speed
  - 100, 600 and 800 m<sup>3</sup>h<sup>-1</sup>

## Specification

	iGX	100	600	1000
<b>Performance</b>				
Peak speed	m <sup>3</sup> h <sup>-1</sup>	105	620	800
	cfm	62	365	471
	l min <sup>-1</sup>	1750	10333	13333
Ultimate pressure	mbar	5.00E <sup>-03</sup>	7.00E <sup>-04</sup>	1.00E <sup>-03</sup>
	torr	3.75E <sup>-03</sup>	5.25E <sup>-04</sup>	7.50E <sup>-04</sup>
	Pa	0.50	0.07	0.10
<b>Power at 700 torr exhaust</b>				
Ultimate	kW	1.0	1.6	1.6
Green Mode	kW	0.05	0.05	0.05
<b>Water*</b>				
Water flow	slm	1.0	2.0	2.0
<b>Nitrogen</b>				
L variant	slm	0	0	N/A
N variant	slm	4 to 39	4 to 39	4 to 39
M variant	slm	4 to 44	4 to 44	N/A
<b>Installation details</b>				
Footprint (excl. exhaust)	m <sup>2</sup>	0.195	0.195	0.195
Weight	Kg	120	220	230
Inlet connection		ISO63	ISO100	ISO100
Outlet connection		NW25	NW25	NW25
Noise at ultimate	dB(A)	<55	<55	<55

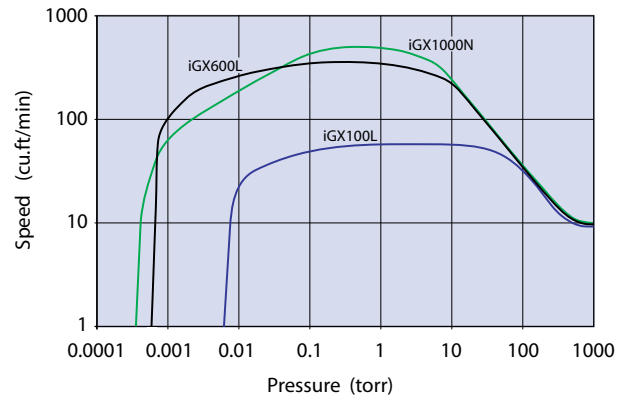
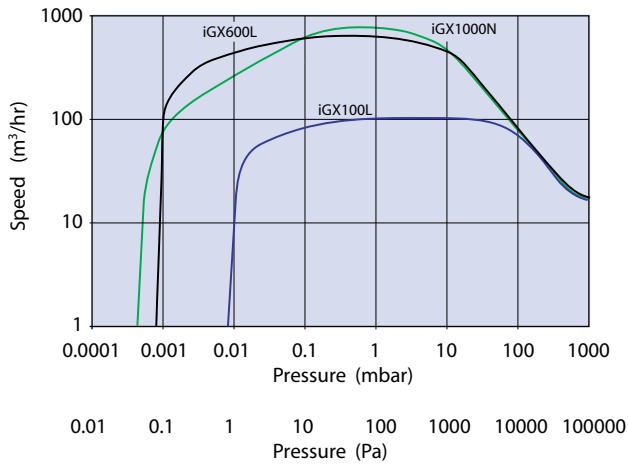
\* Flow with optional Constant Water Flow Valve fitted

## Applications



Contact Edwards for additional technical information on a particular application.

## Speed curves



## Designed for energy efficiency

- High performance motors and inverter drives
  - Low operating power consumption
  - Lower power standby mode using Green Mode
- Nitrogen dilution can be tuned to the application requirement
  - Minimizes gas usage
  - M variants can reduce nitrogen purge while in Green Mode
- Highly efficient cooling
  - High conductivity materials and good design enables low water flow
- Precision ceramic bearings
  - Very high load capability for reliability
  - Low noise and vibration

## Ethernet connectivity

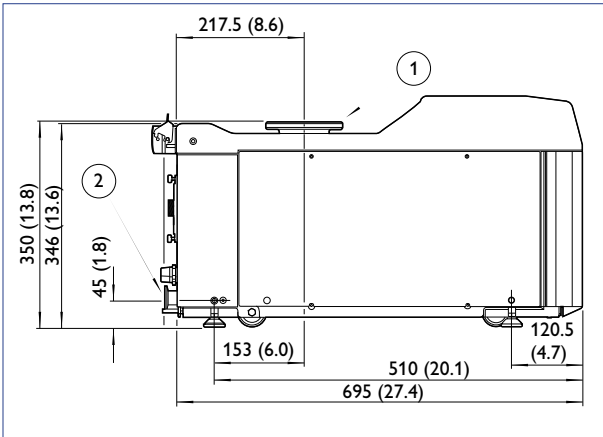
The iGX Series includes unique web serving functionality that allows viewing of key parameters through a simple Ethernet connection and browser.

A user can connect to the pump using a browser and pump address to view a range of information, such as:

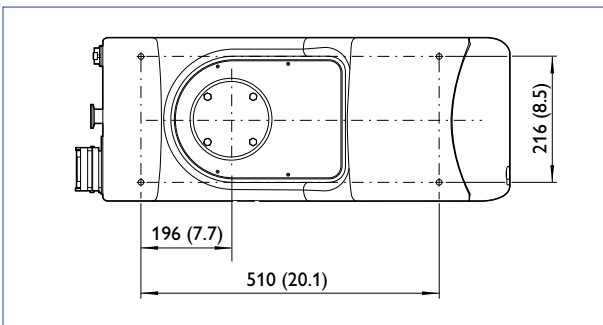
- Operating status
- Key parameters
- Parameter setpoints
- Alert summary

## Dimensions - mm (inches)

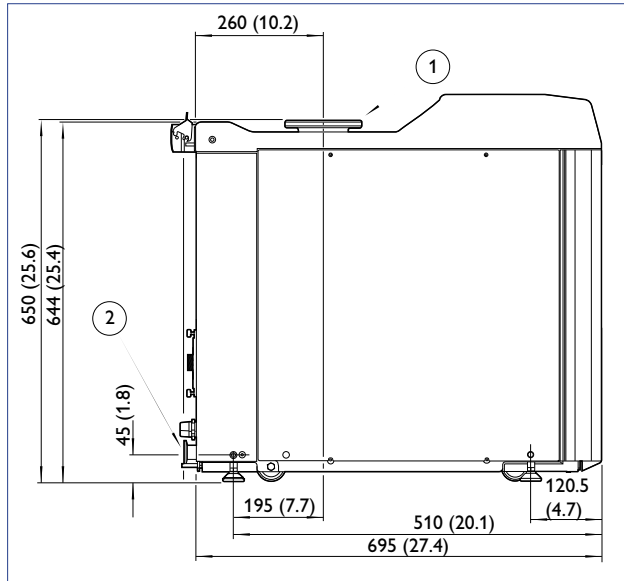
iGX100 Side View



iGX Top View



iGX 600, 1000 Side View



1 Inlet Flange

2 Exhaust Flange

## Ordering information

iGX100L 200 - 230V 50/60Hz	A54610958	iGX600L 200 - 230V 50/60Hz	A54630958	iGX1000N 200 - 230V 50/60Hz	A54681958
iGX100L 380 - 460V 50/60Hz	A54610959	iGX600L 380 - 460V 50/60Hz	A54630959	iGX1000N 380 - 460V 50/60Hz	A54681959
iGX100N 200 - 230V 50/60Hz	A54611958	iGX600N 200 - 230V 50/60Hz	A54631958	iGX100MTI 200 - 230V 50/60Hz	A54648958
iGX100N 380 - 460V 50/60Hz	A54611959	iGX600N 380 - 460V 50/60Hz	A54631959		
iGX100M 200 - 230V 50/60Hz	A54612958	iGX600M 200 - 230V 50/60Hz	A54632958		
iGX100M 380 - 460V 50/60Hz	A54612959	iGX600M 380 - 460V 50/60Hz	A54632959		

Edwards continually updates its products to match the evolving needs of the semiconductor industry. Specifications given here are subject to change without notice.

## Global contacts

### EUROPE

UK Crawley +44 1293 528844  
 UK (local rate) 08459 212223  
 Belgium Brussels +32 2 300 0730  
 France Paris +33 1 4121 1256  
 Germany Munich 0800 000 1456  
 Italy Milan +39 02 48 4471

### USA

Niagara (toll free) +1 800 848 9800

### BRAZIL

Sao Paulo +55 11 3952 5000

### ISRAEL

Qiryat-Gat +972 8 681 0633

### ASIA PACIFIC

China (toll free) +86 400 111 9618

India, Pune +91 20 4075 2222

Japan, Yachiyo +81 47 458 8831

Korea, Bundang +82 31 716 7070

Singapore +65 6546 8408

Taiwan R.O.C. Jhunan Town +886 3758 1000



WWW.EDWARDSVACUUM.COM

info@edwardsvacuum.com

Publication Number: A53610895, Issue D  
 © Edwards Limited 2013. All rights reserved.  
 Edwards and the Edwards logo are trade marks of Edwards Limited.