



G003074

## Manual Call Point **Salwico NS-ACP**

Part no. 5100677-00A

System: Salwico CS3000\*, CS4000 and NSAC-I

Spare glasses (10pcs.)

Part No: 5200075\_00A

### General Description

NS-ACP is a Manual call point for the addressable fire alarm systems Salwico SC4000, NSAC-I and CS3000 with SPK2000.

The selected material PC/ABS and the encapsulation, with ingress protection IP24D,

Pressing the glass causing it to crack activates the fire alarm.

The call point can also be tested with a special key, included in the delivery.

A red LED on the front of the call point indicates the fire alarm.

The LED remains lit until the glass has been replaced and the fire alarm has been reset on the control panel.

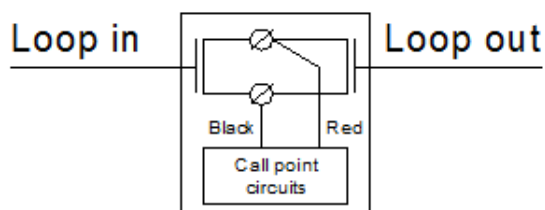
The address of the call point is set with a DIP-switch.

The NS-ACP is polarity independent which simplifies the installation. The apparatus has low risk of mechanical danger.

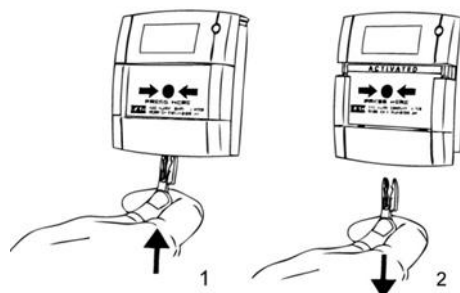
### Data

Nominal voltage	28 VDC
Working voltage	15-36
VDC Supervising current	0.2 mA
Alarm current	2.5 mA
Ingress protection	IP24D
Temperature range	-25°C to
+70°C Ambient humidity	0 to 95% RH
Material	PC/ABS
Colour	Red, RAL 3001
Weight	~165 g
Cable dimension	Ø6-12
mm	
*CS3000 with SPK2000	

### Connection

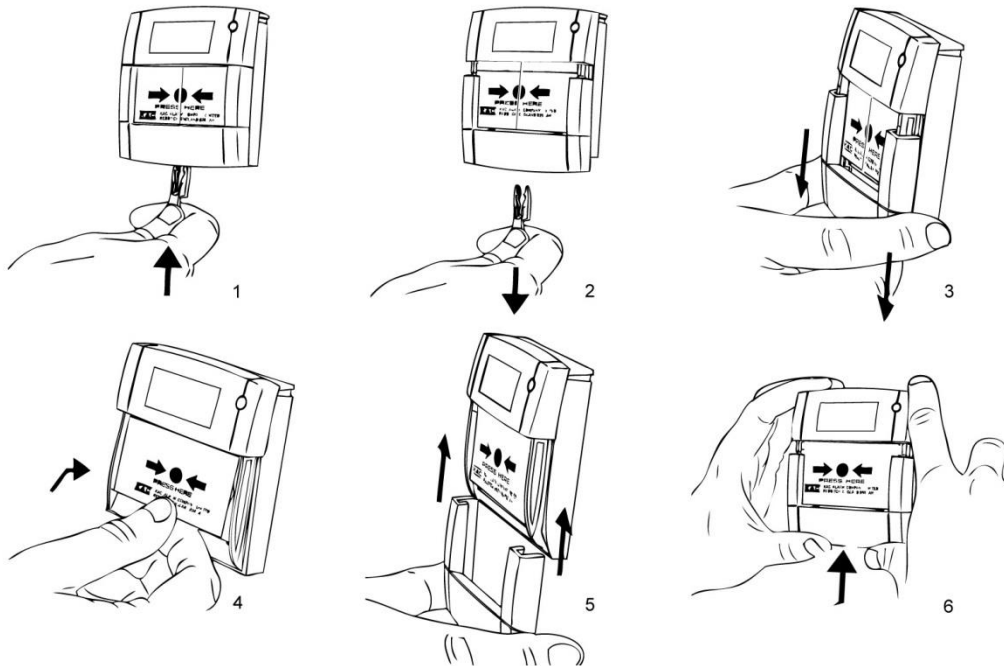


### Test



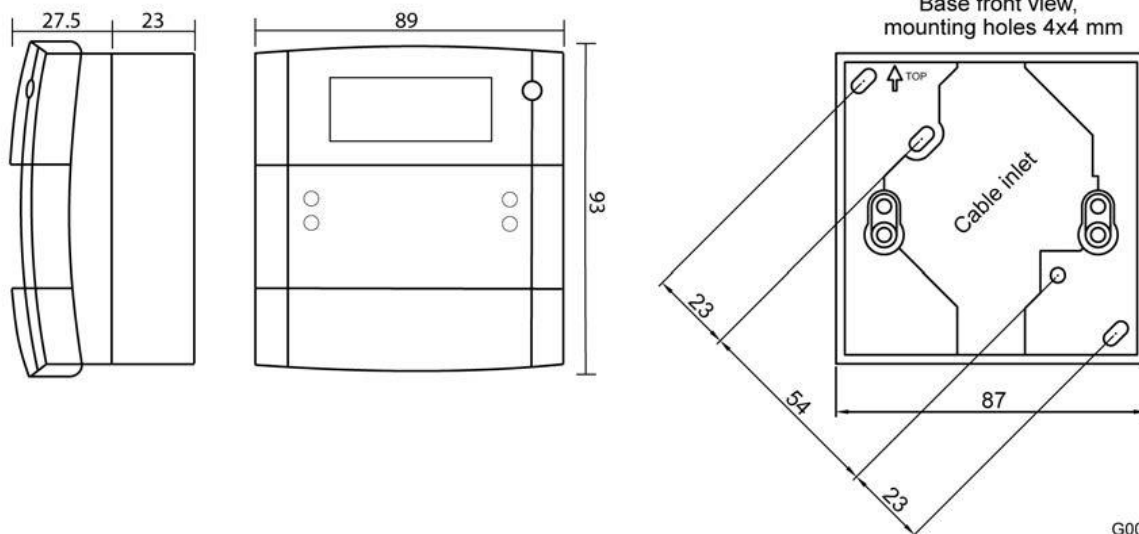
G001773

## Change Glass



G001779

## Dimensions (mm)



G001771