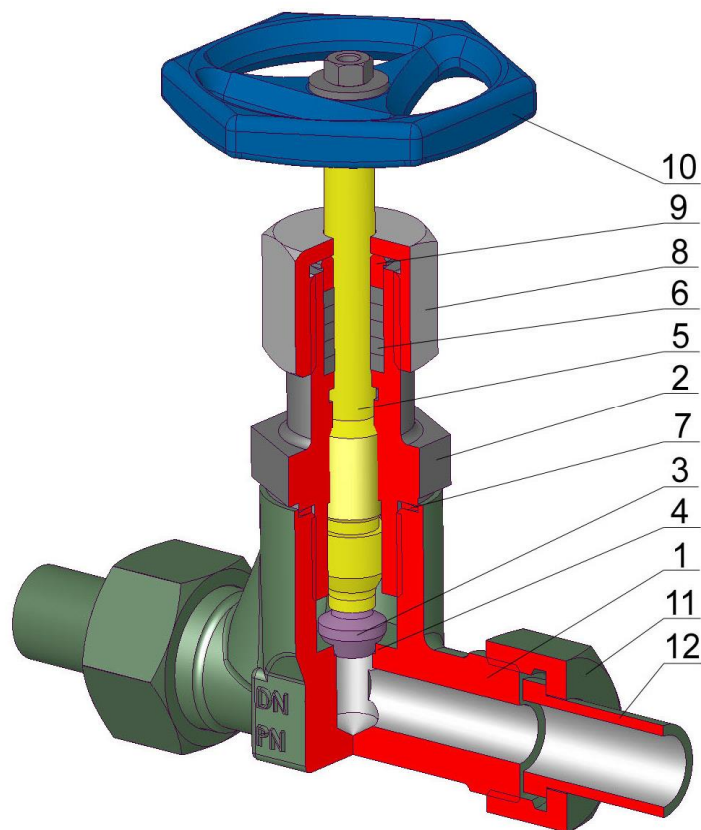


GLOBE VALVE - Socket and nut

PN 40 Ě PN 250

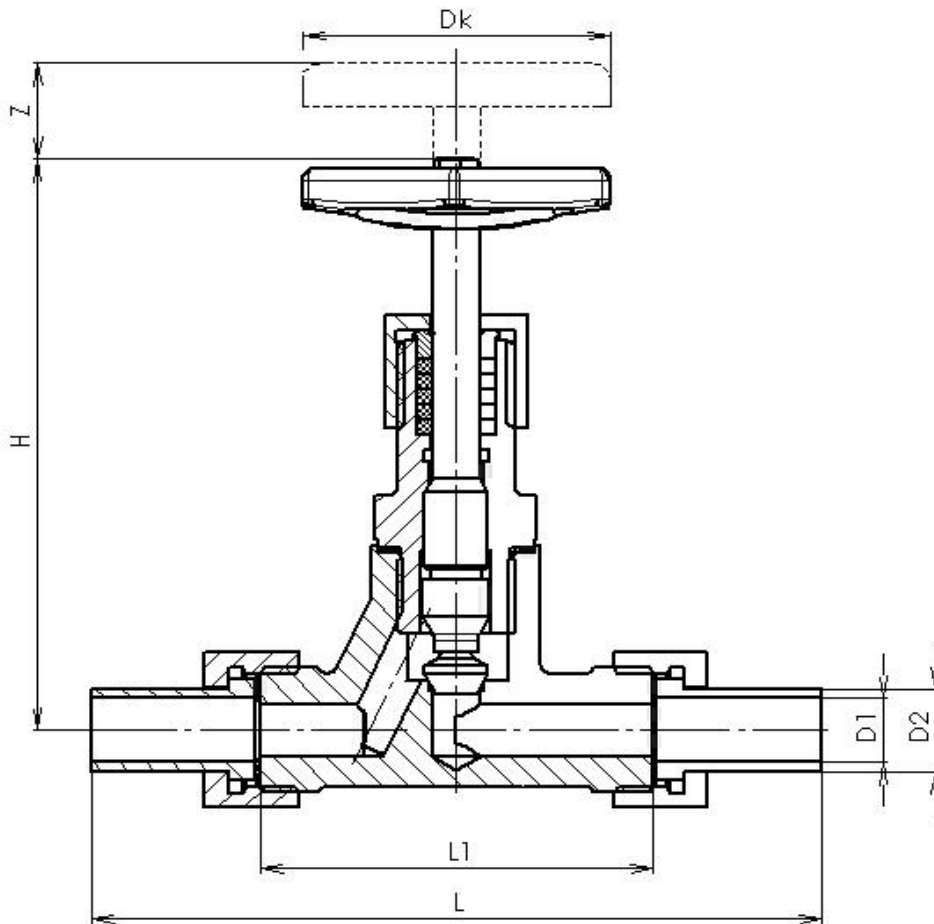


TYPE /	V 10
Nominal pressure/	PN 40 Ě PN 250
Nominal size/	DN 6 Ě 15

Desing /	EN 1984
Socketed end /	EN 12627
Face-to-face /	-
Testing /	EN 12266-1
Pressure/Temperature /	EN 12516-1

Operation /	
1	Hand wheel/

Pos.	Part /	Material /			
		-29 ÷ +425 °C	-20 ÷ +575 °C	-20 ÷ +450 °C	-70 ÷ +550 °C
		DIN (Wnr.)	DIN (Wnr.)	DIN (Wnr.)	DIN (Wnr.)
1	Body /	P250GH (1.0460)	14MoV6-3 (1.7715)	X2CrNiMo17-12-3 (1.4404)	X6CrNiTi18-10 (1.4541)
2	Adapter /	C45E (1.1191)	24CrMoV5-5 (1.7733)	X2CrNiMo17-12-3 (1.4404)	X6CrNiTi18-10 (1.4541)
3	Disc /	X10Cr13(1.4034)	NiMo16Cr15W(Inconel)	NiMo16Cr15W(Inconel)	NiMo16Cr15W(Inconel)
4	Seat /	13 Cr / STL6	STL6	- / STL6	- / STL6
5	Stem /	X10Cr13(1.4034)	X20CrMoV12-1 (1.4922)	X2CrNiMo17-12-3 (1.4404)	X6CrNiMo17-12-2 (1.4571)
6	Packing /	Graphite	Graphite	Graphite	Graphite
7	Sealing /	X5CrNi18-10 (1.4301)	X6CrNiMo17-12-2 (1.4571)	NiCu30Fe(Monel)	NiCu30Fe(Monel)
8	Nut /	C35 (1.1181) + Ni	C35 (1.1181) + Ni	C35 (1.1181) + Ni	C35 (1.1181) + Ni
9	Packing flange /	C35 (1.1181)	14MoV6-3 (1.7715)	X6CrNiTi18-10 (1.4541)	X6CrNiTi18-10 (1.4541)
10	Hand wheel /	Carbon steel	Carbon steel	Carbon steel	Carbon steel
11	Socket nut /	St50 (1.0050)	14MoV6-3 (1.7715)	X6CrNiTi18-10 (1.4541)	X6CrNiTi18-10 (1.4541)
12	Socket /	P250GH (1.0460)	14MoV6-3 (1.7715)	X2CrNiMo17-12-3 (1.4404)	X6CrNiTi18-10 (1.4541)
Other material specification (1.7380,1.7335) upon request /				(1.7380,1.7335)	



Main and connection dimensions /							
DN	D2	D1	L	L1	H	Z	Dk
6	10	6 PN16-160	160	90	145	7	90
10	14	10 PN16-160 9 PN250	160	90	145	7	90
15	22	17 PN16-100 16 PN160 15 PN250	180	100	145	9	90

DIMENSION OF WELDING ENDS CAN BE PRODUCE ACCORDING TO CUSTOMER

