

### Features

RAEM is a universal mounting for applications demanding maximum isolation. It is a further development of RA™, where EM stands for “extra movement”. Suitable for both light and heavy machines.

For normal speeds of approx. 1500rpm the RAEM™ type provides a degree of isolation of 85-95%, and gives good isolation with low frequency machines.

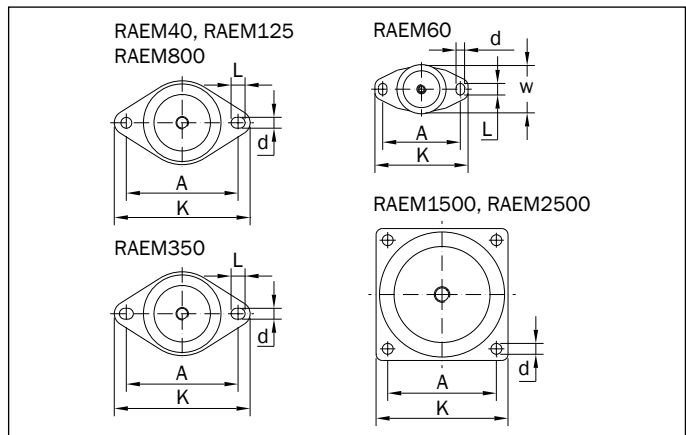
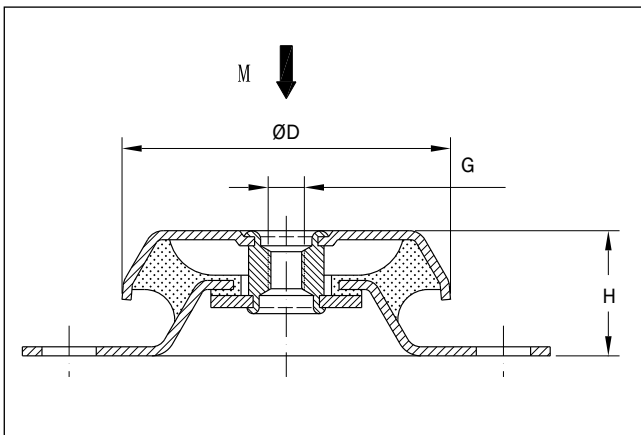
Its unique construction and the latest production methods make Novibra® type RAEM™ a high performance mounting having a number of advantages:

- ▼ Rubber features are utilised effectively combining compression and shear.
- ▼ Wide load rating options, 10-3400kg.
- ▼ Corrosion protected to cope with arduous environments on land or marine applications (Fe/Zn8C as per ISO2081).
- ▼ Fitted as standard with an integral fail-safe design with resilient stop, making RAEM ideal for use on mobile or marine applications. The mounts can accommodate occasional shock loads. The mount will withstand shock loads up to 2g without plastic deformation.
- ▼ Clear and durable product marking so that mountings can be identified even after several years in operation.
- ▼ Domed shape cover to protect against oil contamination.

### Novibra® type RAEM™

For effective isolation of vibration and noise on machines with rotating movements, the product can be apply to:

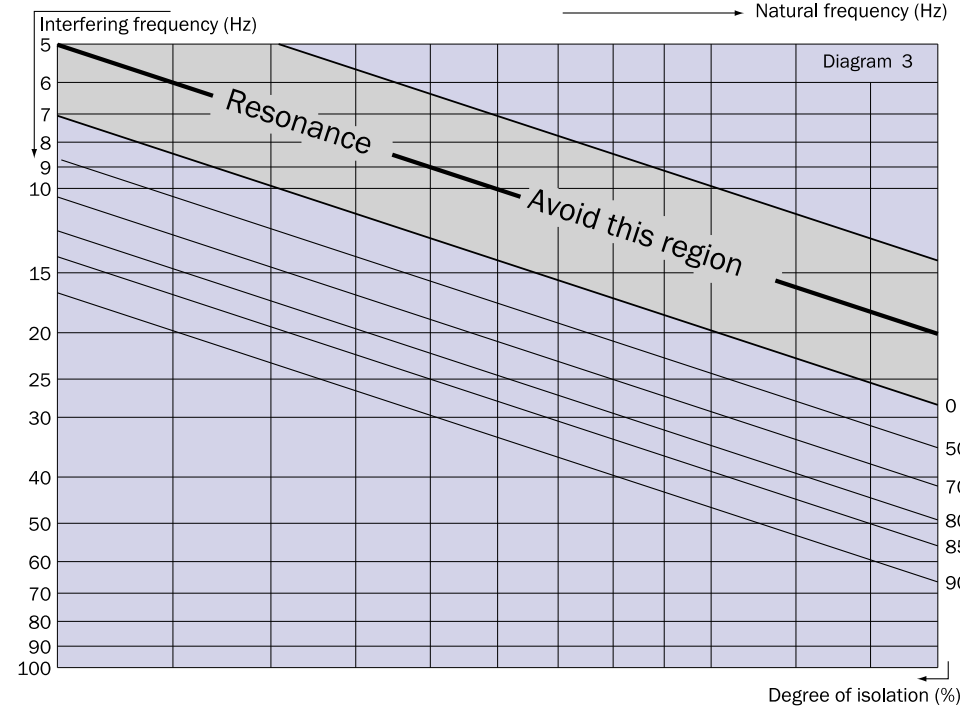
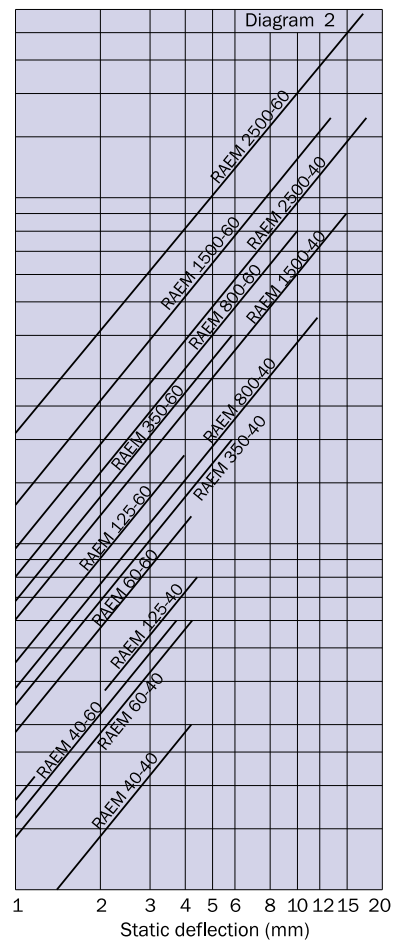
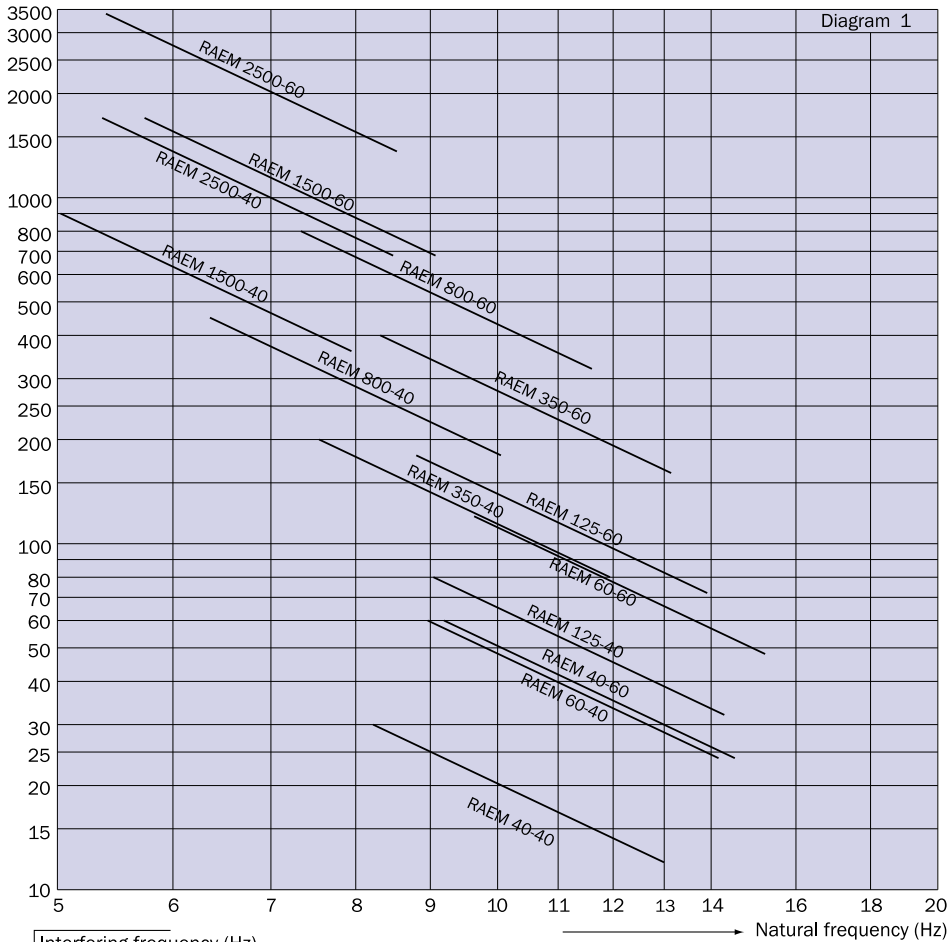
- ▼ AC Units
- ▼ Generators
- ▼ Refiners
- ▼ Compressors
- ▼ Industrial Fans
- ▼ Combution Engines
- ▼ Industrial/Marine Gensets
- ▼ Defibrators
- ▼ Emergency Power Sets
- ▼ Large Milling Machinery



Type	Part no.		Dimensions in mm								M-Max (Kg)		Weight (Kg)
	40°IRH	60°IRH	D	A	W	H	K	d	L	G	40°IRH	60°IRH	
RAEM40	10-00122	10-00123	64	88		35,5	110	9	12	M10	30	60	0,26
RAEM60	10-00183	10-00184	63	100	61	35,5	120	11	15	M12	60	120	0,30
RAEM125 M10	10-00108	10-00109	84	110		35,5	135	11	15	M10	80	180	0,37
RAEM125 M12	10-00168	10-00169	84	110		35,5	135	11	15	M12	80	180	0,37
RAEM350 M12	10-00174	10-00175	110	140-148		42	175	14	18	M12	200	400	0,80
RAEM350 M16	10-00114	10-00115	110	140-148		42	175	14	18	M16	200	400	0,80
RAEM800	10-00120	10-00121	155	182		54	216	14	18	M16	450	800	1,80
RAEM1500	10-00158	10-00159	182	146		85	180	14		M20	900	1700	3,00
RAEM2500	10-00160	10-00161	224	180		105,5	220	17,5		M24	1700	3400	4,60

Note: The natural frequencies and degrees of isolation are based on dynamic characteristics of the mountings.

Load per mounting (kg)



To select correct mounting, following data are needed:

- 1) Load per mounting (kg)
- 2) Interfering frequency (Hz)  
(Hz = rpm / 60)

Select correct load line in diagram 1 and correct interference line in diagram 3. The load line intersects with required type of mounting.

The load line intersects with required type of mounting. Connect this intersection point vertically down to the interference line in diagram 3. Here, on the sloping curve, the isolation degree is indicated.

For static deflection, see diagram 2.

