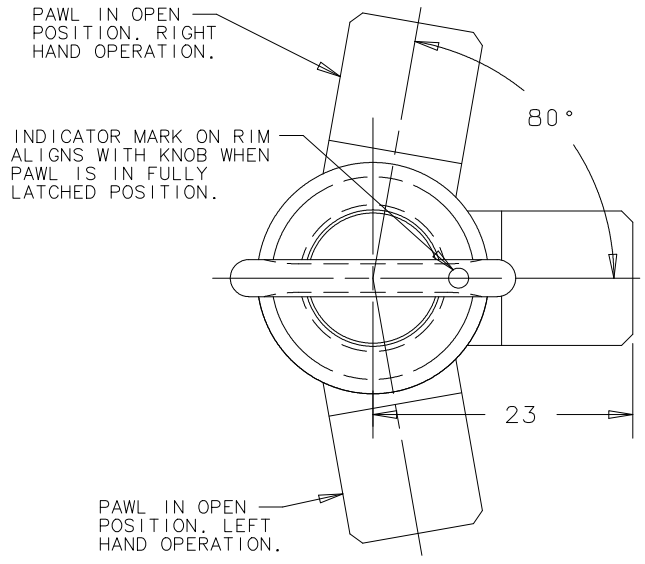
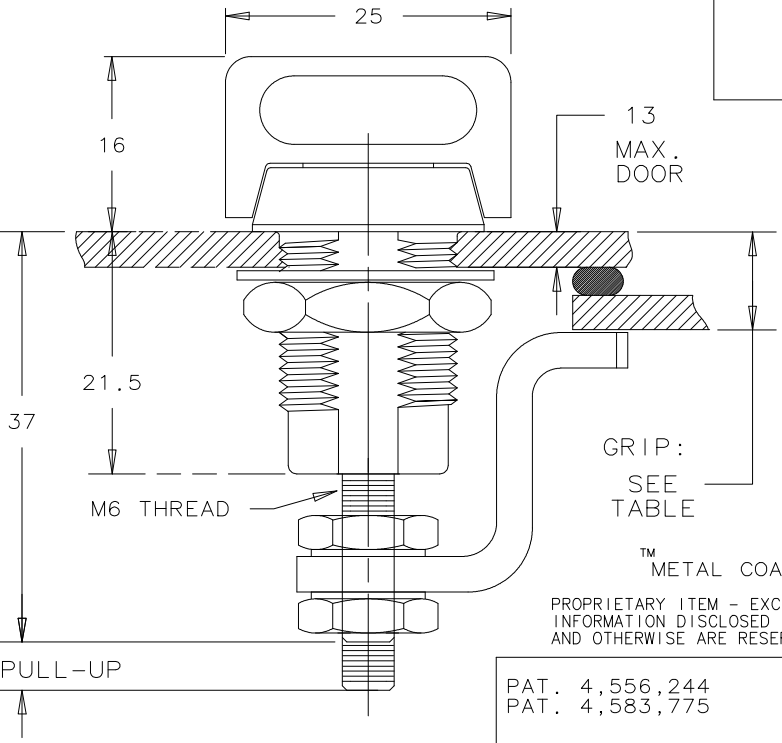
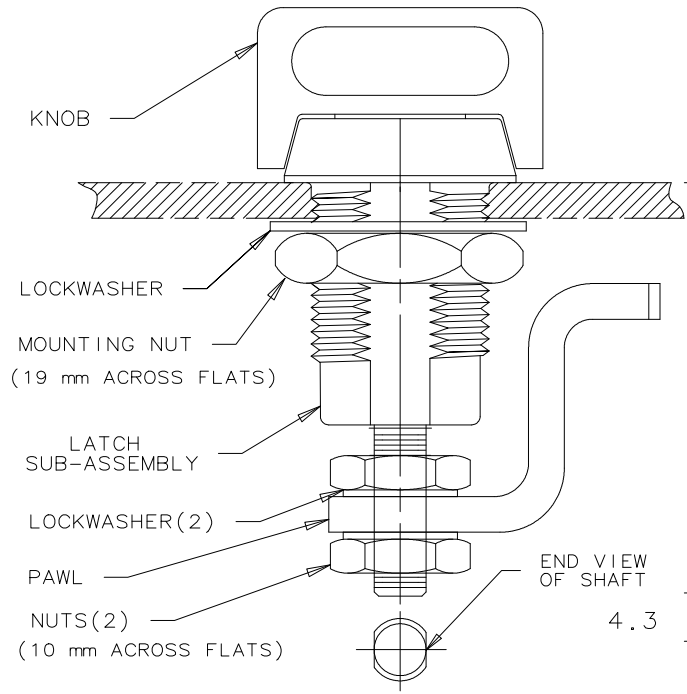
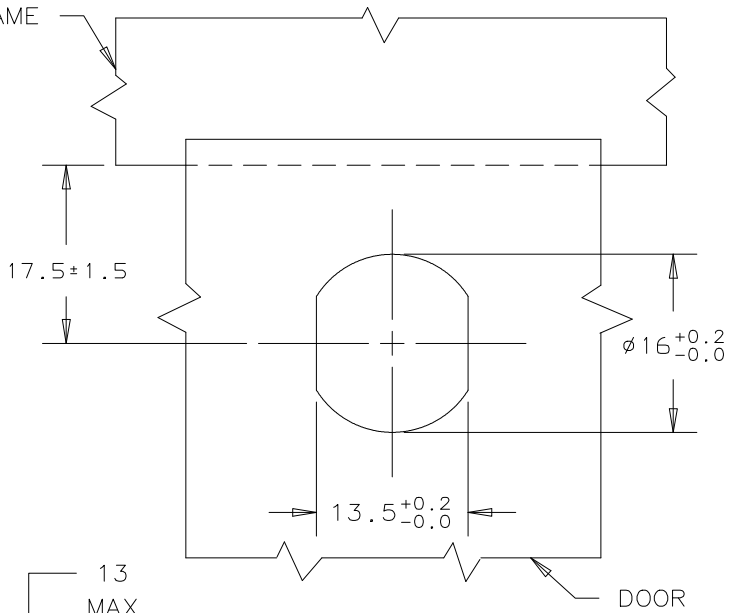


REV.	DATE	BY-CHKD	REVISIONS	ITEM	MAT'L & FINISH	ITEM	MAT'L & FINISH	ITEM	MAT'L & FINISH
A	28 FEB 94	EAM/JSS	PRN: E3-361	HOUSING	SEE NOTE A	RETAINER	S/S PASSIVATED	LOCKWASHER	STEEL, NOTE B
B	10OCT96	SWD	PRN: S-93-23	CAM	1075 CASE HARDENED STEEL, DACROTIZED™	O-RING	BUNA N RUBBER	NUT	STEEL, NOTE B
C	03DEC96	SWD	PRN: S-1-06A	KNOB	SEE NOTE A	PIN	STEEL-ZINC PLATE	MATERIAL AND FINISH NOTES: A. DIE CAST ZINC, BLACK POWDER COATING. B. ZINC PLATE CHROMATE PLUS SEALER.	
D	27JAN14	CMS/MGG	PRN: P2014-0108	SHAFT	STEEL, NOTE B	PAWL	STEEL, NOTE B		
				SPRING	S/S PASSIVATED	NUT (2)	STEEL, NOTE B		
				SLEEVE	1065 CASE HARDENED STEEL, DACROTIZED™	LOCKWASHER(2)	STEEL, NOTE B		



- NOTES:
1. PAWL, NUTS AND LOCKWASHERS ARE SHIPPED UNASSEMBLED IN BAG WITH LATCH SUB-ASSEMBLY.
 2. INSTALLATION: SECURE LATCH SUB-ASSEMBLY IN DOOR WITH LARGE LOCKWASHER AND HEX NUT. PLACE PAWL, NUTS AND LOCKWASHERS ON SHAFT AND ADJUST TO REQUIRED GRIP IN LATCHED POSITION. TIGHTEN NUTS SECURELY.
 3. CAUTION: THE AMOUNT OF PAWL COMPRESSION SHOULD NOT CAUSE THE LATCHING TORQUE TO EXCEED 1.6 Nm.
 4. OPERATION: 195° TURN OF WING KNOB CAUSES PAWL TO ROTATE 80° AND THEN PULL UP OF 4.3 mm.
 5. ALL DIMENSIONS ARE IN MILLIMETERS. THIRD ANGLE PROJECTION.



ASSEMBLY PART NO. LH	ASSEMBLY PART NO. RH	GRIP	
		MIN.	MAX.
E3-247-15	E3-57-15	3.2	6.4
E3-247-25	E3-57-25	6.4	9.5
E3-247-35	E3-57-35	9.5	12.7
E3-247-45	E3-57-45	12.7	15.9
E3-247-55	E3-57-55	15.9	19.0
E3-247-65	E3-57-65	19.0	22.2
E3-247-75	E3-57-75	22.2	25.4
E3-247-85	E3-57-85	25.4	28.6

GRIP:
SEE TABLE

™ METAL COATINGS INTERNATIONAL, INC.

PROPRIETARY ITEM - EXCEPT FOR USES EXPRESSLY GRANTED IN WRITING INFORMATION DISCLOSED HEREON IS CONFIDENTIAL AND ALL RIGHTS PATENT AND OTHERWISE ARE RESERVED BY SOUTHCO, INC.