




# ENGINEERING CHANGE NOTIFICATION FORM

CNF-0312LT3.DOC

1/3

Mod. CNF rev. 0/08

<b>REQUESTED BY</b>	MECCALTE
<b>CUSTOMER</b>	All
<b>PRODUCT</b>	LT3 4 poles
<b>OLD SPEC</b>	The LT3 had a non replaceable diodes set on the main rotor.
<b>CHANGE DESCRIPTION</b>	It has been changed the diodes set design in order to make it field replaceable. Now the diodes set is assembled on a double aluminium support, which is bolted to the copper Pybiter head of the main rotor making it possible to service it. At the same time, diode specification is changed from 16 Amps to 25 Amps. Bigger Amps sizing is only due to mechanical packaging and not to electrical reasons.
<b>CHANGE REASON</b>	Product improvement.
<b>CHANGE ADVANTAGES</b>	Field replaceability, larger nominal current sizing.
<b>CHANGE DISADVANTAGES</b>	None.
<b>REMARKS</b>	Rotors with the new diode set are fully interchangeable with the rotor equipped with the old diode set.

TCO			date 22/03/2012
CUSTOMER ACCEPTANCE			date

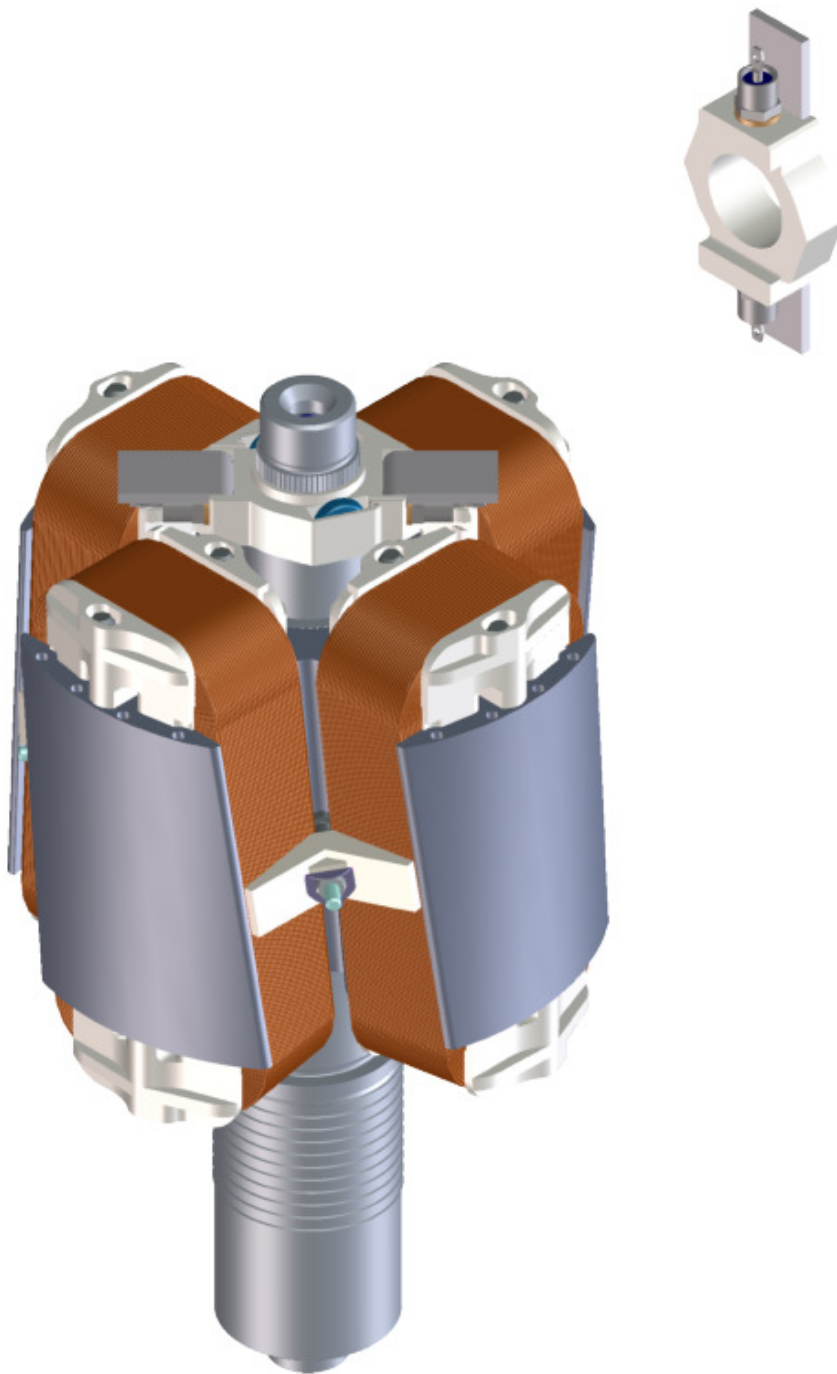



Fig. 1 Old Diodes set

TCO			date 22/03/2012
CUSTOMER ACCEPTANCE			date

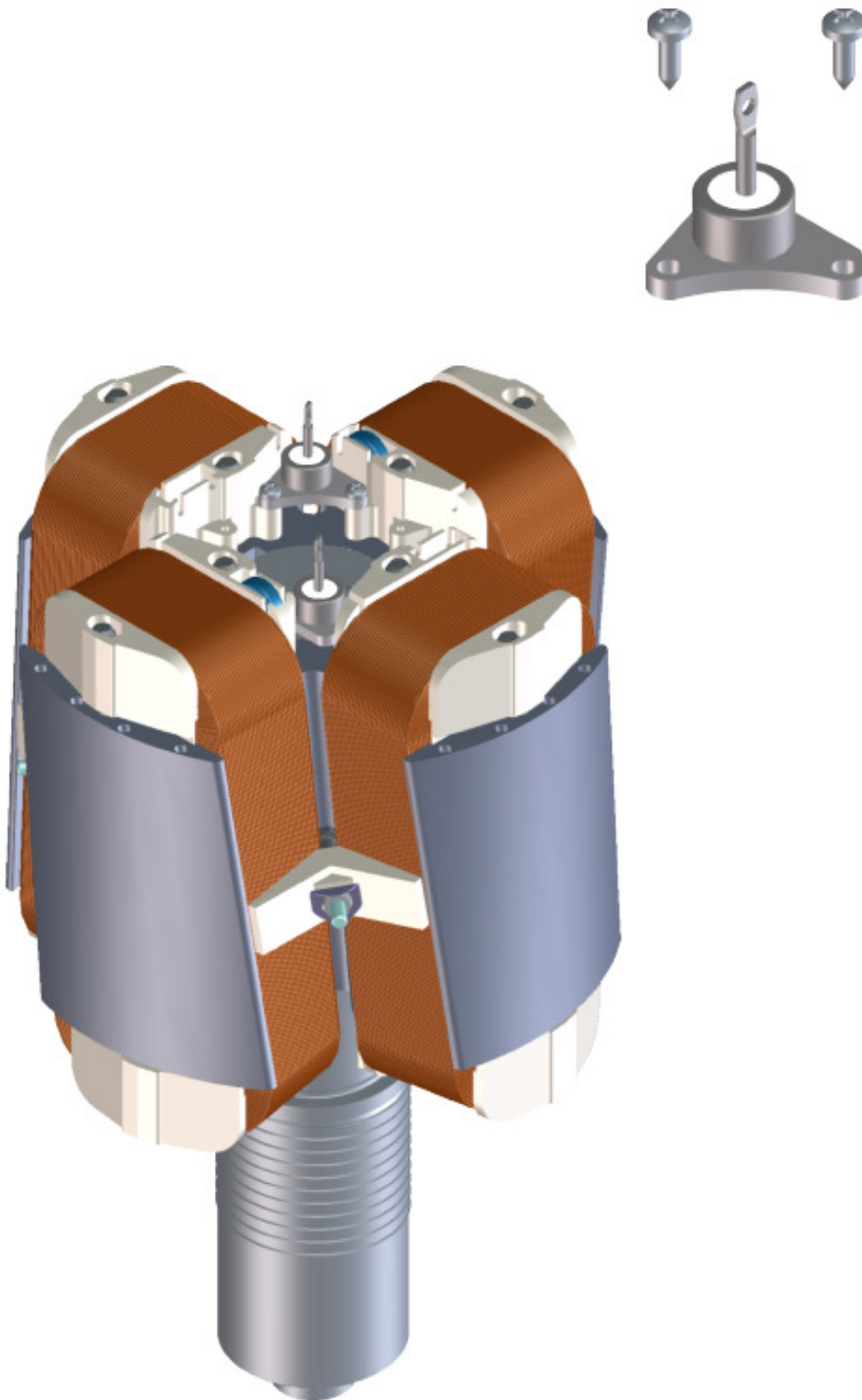


Fig. 2 New Diodes set

TCO			date 22/03/2012
CUSTOMER ACCEPTANCE			date