

Coils series with connection AMP JUNIOR

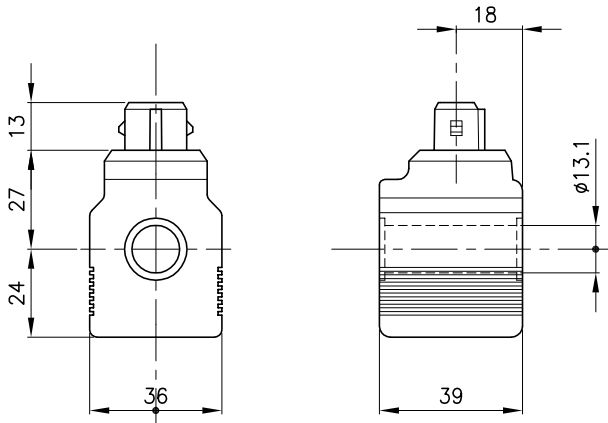
Protection Class (with connector assembled) IP 65 DIN 40050

Encapsulation with nylon 6 and fiberglass

Insulation Coil Class F – VDE 0580

Insulation Copper wire Class H – VDE 0580

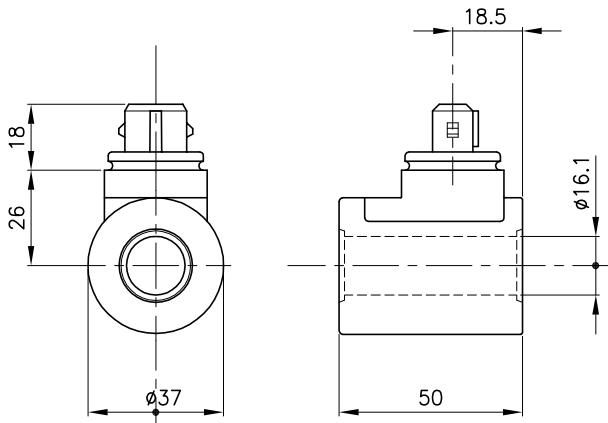
Coils **B20** Series (AMP JUNIOR)



Power 22 Watt
Voltage range +/- 10%
Duty cycle ED 100%
* (1) Nominal current
* (2) Resistance 20°C +/- 5%

Type	Code	Volt	Ampere	Ohm
B20-12C-22J	25 125 127	12	1.83	6.5
B20-24C-22J	25 125 128	24	0.92	26.1
B20-27C-22J	25 125 129	27	0.81	33.3

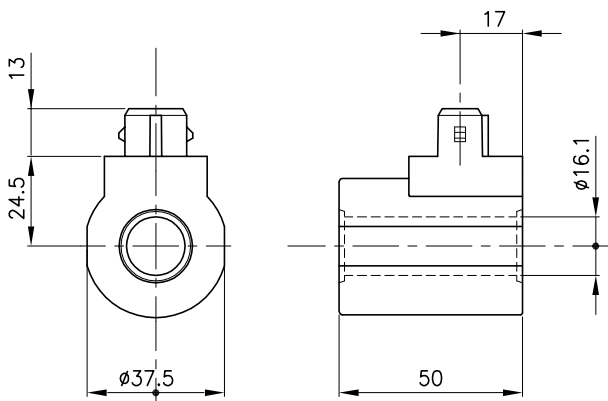
Coils **B30** Series (AMP JUNIOR)



Power 28.5 Watt
Voltage range +/- 10%
Duty cycle ED 100%
* (1) Nominal current
* (2) Resistance 20°C +/- 5%

Type	Code	Volt	Ampere	Ohm
B30-12C-28J	35 125 118	12	2.37	5.05
B30-24C-28J	35 125 119	24	1.19	20.2
B30-27C-28J	35 125 120	27	1.05	25.6

Coils **B30** Series (AMP JUNIOR)



Power 26 Watt
Voltage range +/- 10%
Duty cycle ED 100%
* (1) Nominal current
* (2) Resistance 20°C +/- 5%

Type	Code	Volt	Ampere	Ohm
B30-12C-26J	35 125 125	12	2.16	5.60
B30-24C-26J	35 125 126	24	1.08	22.3
B30-27C-26J	35 125 127	27	0.96	28.2