

Gear flow-divider (aluminium housing) MTO Size 2

Type	Displacement per section (cm ³ /rev)	min. flow per section (l/min)	max. flow per section (l/min)	Continue pressure (bar)	Peak pressure (bar)	max. pressure difference between the sections outputs (bar)
Size 1 Page 12, 13						
MTO-..-4	4,2	1,6	9 (10)	250	280	200
MTO-..-5	5,5	2,2	12 (14)	230	250	200
Size 2						
MTO-..-8	8,16	3,5	19 (22)	250	280	200
MTO-..-14	14,45	5,0	32 (39)	250	280	200
MTO-..-31	31,4	12,5	62 (70)	210	240	200

Providing that the flow-noise is not an issue, it is possible to increase the pressure values in the chambers.

Order codes

Example: **MTO-4-8-AVR**

4-section flow-divider with all section of 8,16 cm³/rev, pressure valve adjustable

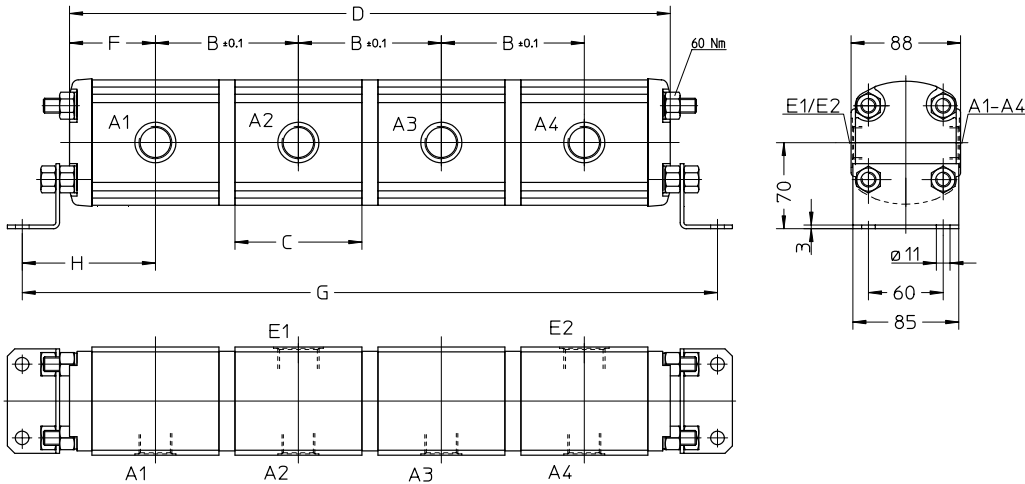
AVR	Pressure control valves adjustable from 130 to 280 bar, standard Spring colour red , preset to approx. 180 bar
AVG	Pressure control valves adjustable from 90 to 200 bar, Spring colour green , preset to approx. 120 bar
AVB	Pressure control valves adjustable from 60 to 160 bar, Spring colour blue , preset to approx. 100 bar
AVS	Pressure control valves adjustable from 30 to 80 bar, Spring colour black , preset to approx. 50 bar
G	Divider without additional valves, threaded connector
5	Nominal displacement per chamber, actual displacement see above
4	Number of part flows, maximum 12

Gear flow-divider (aluminium housing) MTO Size 2

The drawing shows a 4-section flow-divider. Using more or less sections, you have to calculate the total length with a difference of **B** each section.

MTO-...-G

Weight: MTO-...-8-G 2,1 kg/section
 MTO-...-14-G 2,6 kg/section
 MTO-...-31-G 3,5 kg/section

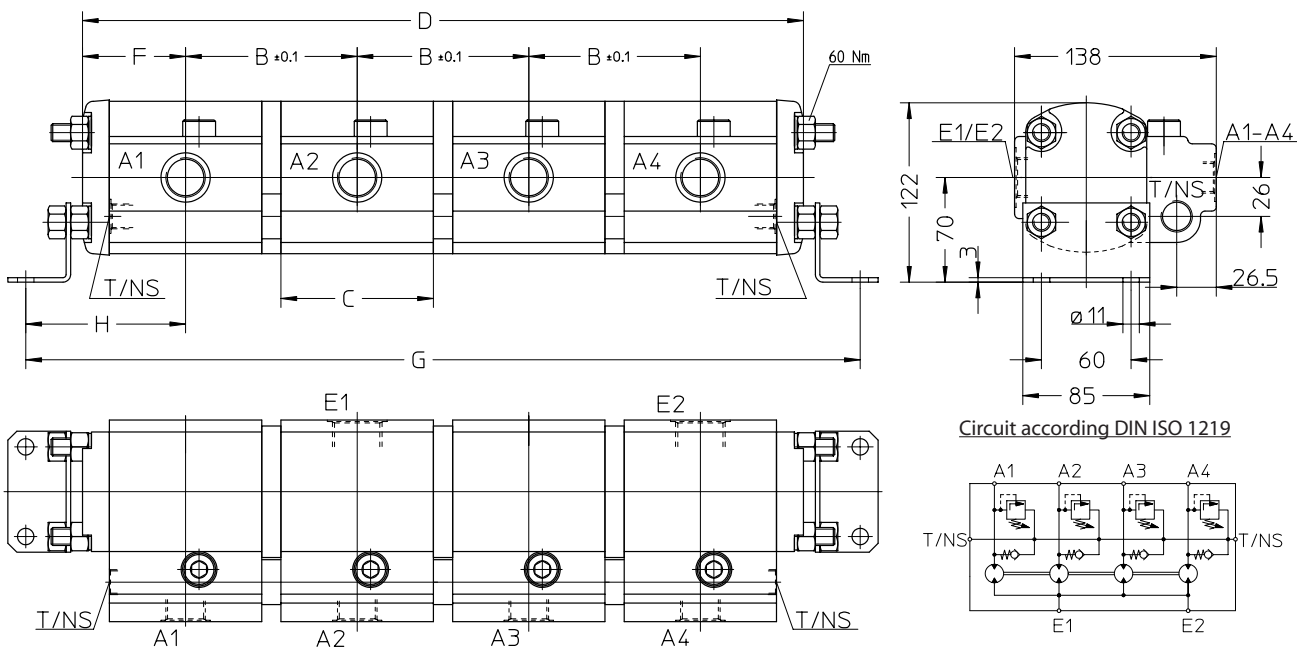


Connections

E1 to E2 Input
 A1 to A4 Output, divided flow
 T, NS Tank and low-pressure-feeding

MTO-...-A..

Weight: MTO-...-8-A 2,7 kg/section
 MTO-...-14-A 3,4 kg/section
 MTO-...-31-A 4,5 kg/section



Type	A1-4	E1-2	T/NS	B	C	D	F	G	H
MTO-...-8	G1/2"	G3/4"	G1/2"	70	57,1	303	46,5	379,2	84,6
MTO-...-14	G1/2"	G3/4"		88	75,1	375	55,5	451,2	93,6
MTO-...-31	G3/4"	G1"		115	102,1	483	69,0	559,2	107,1