

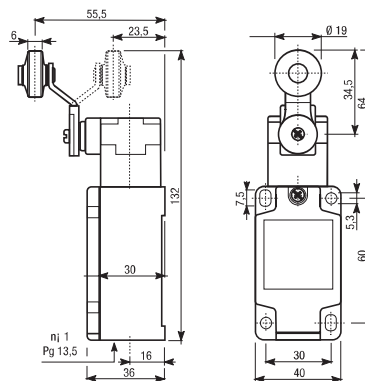


Leva piegata con rotella in plastica

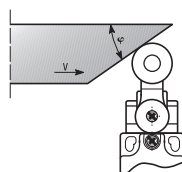
Contact element		
1NO+1NC azione rapida 	<b>00</b>	
1NO+1NC azione lenta 	<b>01</b>	
1NO+1NC lenta sovrapp. 	<b>02</b>	
2NO azione lenta 	<b>03</b>	
2NC azione lenta 	<b>04</b>	
2NC azione rapida 	<b>05</b>	
<b>Weight</b>	<b>kg</b>	
<b>Pack</b>	<b>pcs</b>	

Cable entry				
PG 13,5		M20 x 1,5		Contact travel
Metal head Plastic body	Metal head Metal body	Metal head Plastic body	Metal head Metal body	
E40000II*	E40000IM*	E40100II*	E40100IM*	
E40001II*	E40001IM*	E40101II*	E40101IM*	
E40002II	E40002IM	E40102II	E40102IM	
E40003II	E40003IM	E40103II	E40103IM	
E40004II	E40004IM	E40104II	E40104IM	
E40005II	E40005IM	E40105II	E40105IM	
0,285	0,4	0,285	0,4	
1	1	1	1	

standard article  
\* form conforming to EN 50041



Drive cam operating parameters



φ	V max (m/s)
30°	1,5
45°	1
60°	0,75
60-90°	0,25

Drive forces	
Minimum command force	25 Ncm
Minimum forced opening force	45 Ncm