

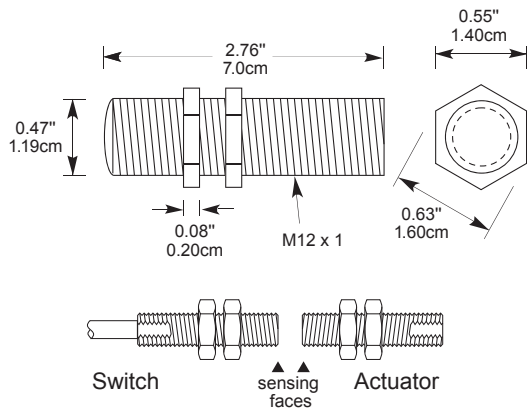
# Non-Contact Interlock/Position Switch 129 GuardSwitch

## Applications

- Position Sensing
- Semi-conductor Equipment
- Economical Proximity Switch Replacement
- Packaging Machinery
- Farm Implement
- Conveyers

## General Specifications

Enclosure	Stainless Steel Threaded Barrel Panel Nuts
Dimensions	M12 dia. x 1 Thread x 70mm Long
Temperature Range	-40°F to 180°F (-40°C to 80°C)
Environmental	Hermetically Sealed Contact Switch Encapsulated in Polyurethane
NEMA Rating	1, 2, 3, 4X, 5, 6, 12, 12K
Protection Class	IP 67
Response Time	1 msec
Life Cycles	100,000 Under Full Load; Up to 200,000,000 Under Dry Circuit
Lead Types/O.D.	22/2 Jacketed (J) / 0.24" (0.62cm) 22/4 Jacketed (J) / 0.19" (0.48cm)
UL/CSA	All Models



File E 122942



LR89176

## Order Information

## Electrical Specifications

## ACTUATOR SOLD SEPARATELY

Part Number	Contact <sup>1</sup> Config.	Load Rating AC	Load Rating DC	Switching Voltage, Max. AC	Switching Voltage, Max. DC	Switching Current, Max. AC	Switching Current, Max. DC	Contact Resistance	Lead Length
129-6N-06J	N.O. <sup>2</sup>	25VA	25W	120V(@0.2A)	120V(@0.2A)	0.7A (@35V)	1.0A (@25V)	0.2 Ohms	6'(1.8m)
129-6N-12J(-D6)(-DG)	N.O. <sup>2</sup>	25VA	25W	120V(@0.2A)	120V(@0.2A)	0.7A (@35V)	1.0A (@25V)	0.2 Ohms	12'(3.6m)

<sup>1</sup> Configuration with actuator away from the switch<sup>2</sup> D6=DPST: 2 N.O., DG=DPST: 1 N.O., 1 N.C. 15VA<sup>3</sup> Rated at 3.0A for 6,000 cycles only. Other ratings are at 100,000 cycles

## Sense range<sup>4</sup>

Actuator Options	129-6 -DG Make, Min. Break, Max.	129-6 -D6 Make, Min. Break, Max.	Actuator Description
128C-U	0.25 0.80	0.15 1.00	Alnico Magnet in M8x1.25x50 stainless steel threaded barrel w/2 jam nuts
129-X	0.45 1.10	0.35 1.35	Alnico Magnet in M12x1x70 stainless steel threaded barrel w/2 panel nuts
1057	0.90 1.75	0.85 2.15	Bare Alnico Magnet 3/8" dia. x 1-1/2" long
1830	0.25 0.55	0.15 0.65	Rare Earth 0.375" dia. x 0.12" thick w/#4 countersink hole
IND1835	0.50 0.85	0.40 1.00	Rare Earth 0.6" dia. x 0.12" thick w/#4 countersink hole

<sup>4</sup> Proximity of ferrous materials usually reduces sense range — typically by 50%. The shape and type of material cause a wide diversity of effects. Testing is required to determine actual sense range for specific applications.