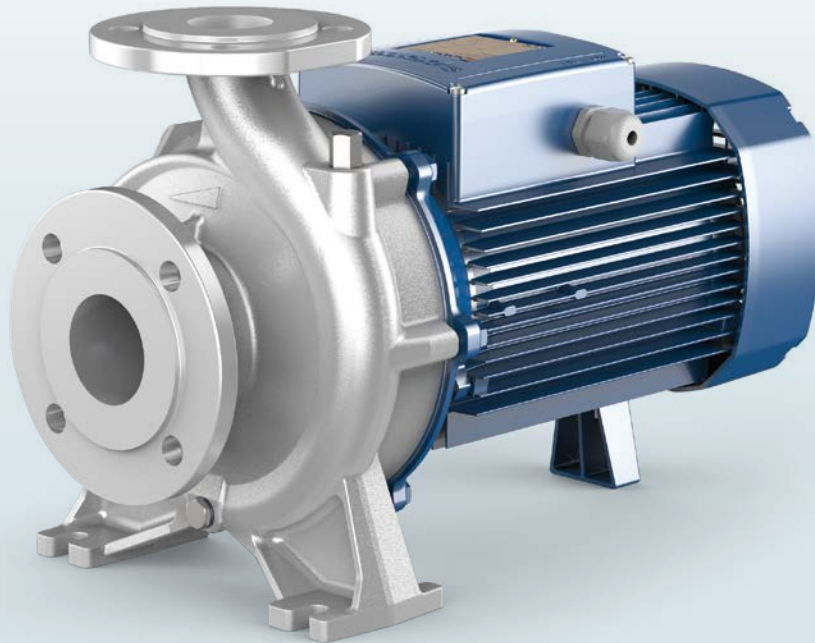


Standardised “EN 733” stainless steel pumps



PERFORMANCE RANGE

- Flow rate up to **2200 l/min** (132 m³/h)
- Head up to **38 m**

APPLICATION LIMITS

- Manometric suction lift up to **7 m**
- Liquid temperature between **-10 °C** and **+90 °C**
- Ambient temperature between **-10 °C** and **+55 °C**
- Max. pressure in pump body **10 bar** (PN10)
- Continuous service **S1**

CONSTRUCTION AND SAFETY STANDARDS

EN 60335-1
IEC 60335-1
CEI 61-150

EN 60034-1
IEC 60034-1
CEI 2-3



Pump body dimensions in compliance with **EN 733**

CERTIFICATIONS

Company with management system certified DNV
ISO 9001: QUALITY
ISO 14001: ENVIRONMENT

INSTALLATION AND USE

- Water supply
- Pressure boosting
- Irrigation
- Water circulation in air-conditioning units
- Cleaning sets
- Firefighting sets
- Industrial applications
- Agricultural applications

Suitable for use with clean, aggressive liquids that are chemically compatible with the materials from which the pump is made. The pump should be installed in an enclosed environment or sheltered from inclement weather.

OPTIONS AVAILABLE ON REQUEST

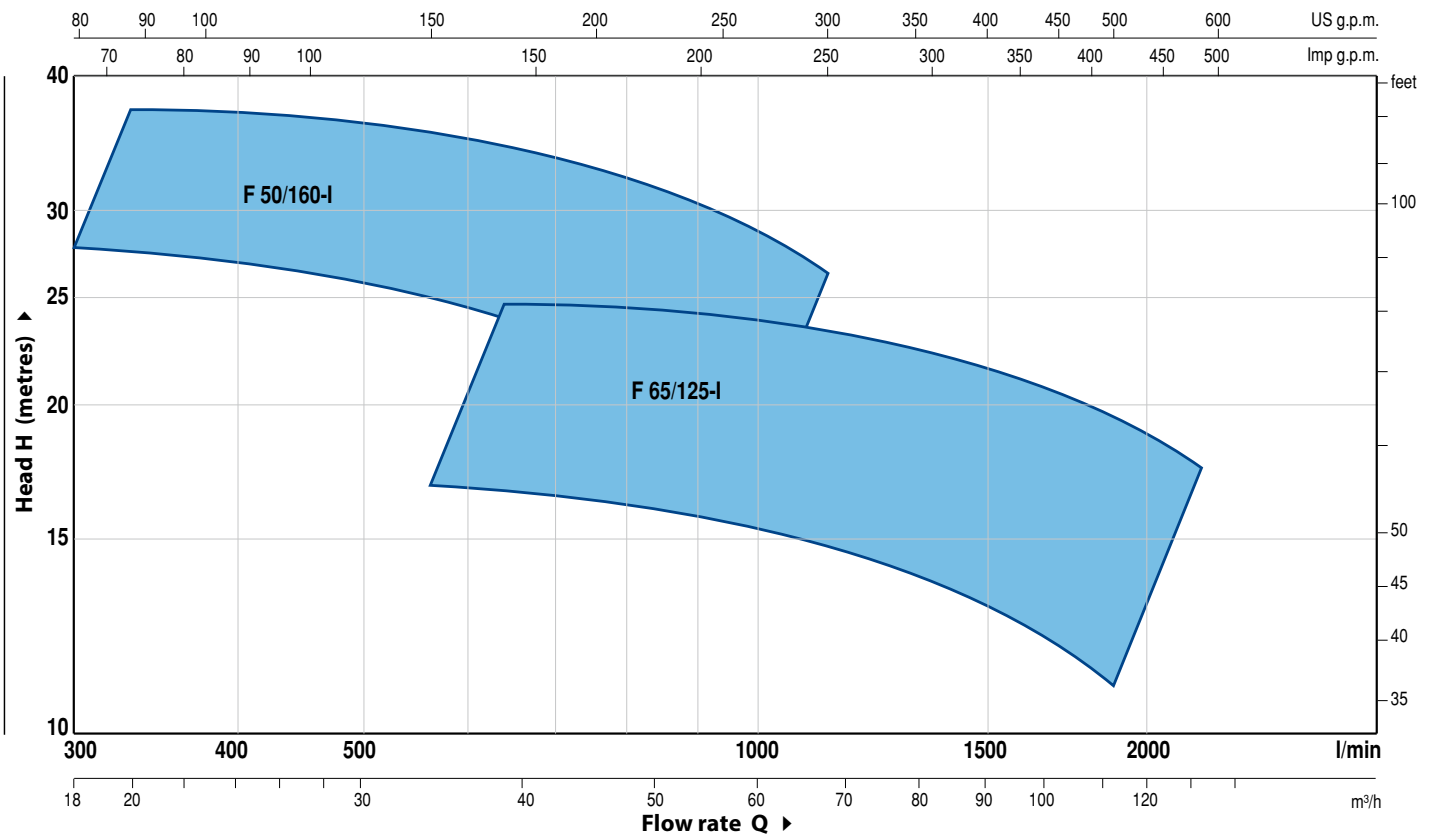
- Special mechanical seal
- Other voltages
- Compatibility with hotter or colder liquids
- Compatibility with hotter or colder environments

GUARANTEE

2 years subject to terms and conditions

PERFORMANCE RANGE

60 Hz n = 3450 rpm



PERFORMANCE DATA

60 Hz n = 3450 rpm

MODEL	POWER (P ₂)		▲	PERFORMANCE	
	kW	HP		Q l/min	H metres
F 50/160C-I	4	5.5	IE3	300 ÷ 1000	27 ÷ 16
F 50/160B-I	5.5	7.5		300 ÷ 1100	32 ÷ 21
F 50/160A-I	7.5	10		300 ÷ 1100	37 ÷ 27
F 65/125C-I	4	5.5	IE3	600 ÷ 1800	16 ÷ 11
F 65/125B-I	5.5	7.5		600 ÷ 2000	18 ÷ 13
F 65/125A-I	7.5	10		600 ÷ 2200	23 ÷ 18

Q = Flow rate

H = Total manometric head

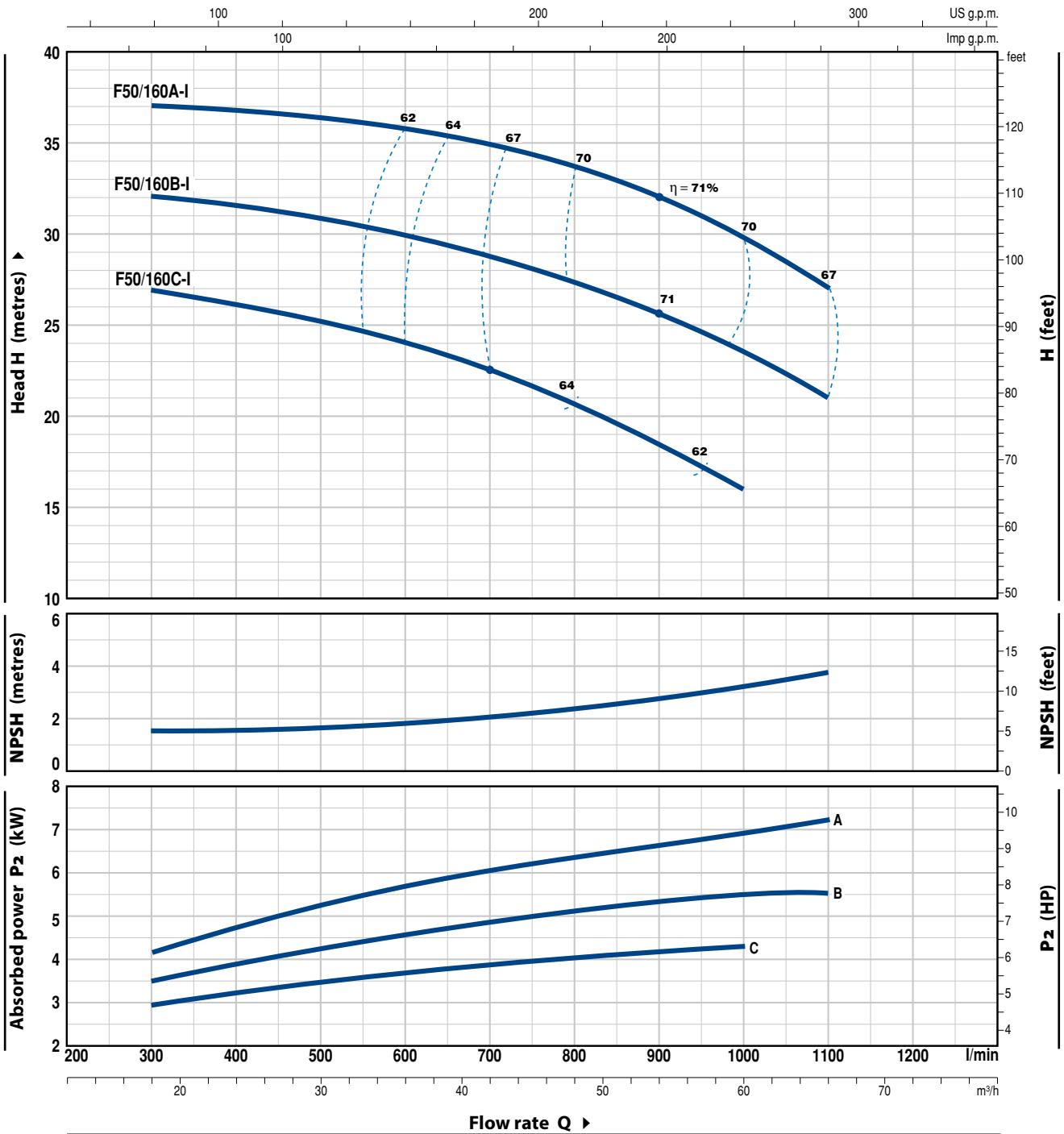
Tolerance of characteristic curves in compliance with EN ISO 9906 Grade 3B.

▲ Performance class of the three-phase motor (IEC-60034-30)

F50/160-I

CHARACTERISTIC CURVES AND PERFORMANCE DATA

60 Hz n= 3450 rpm HS= 0 m



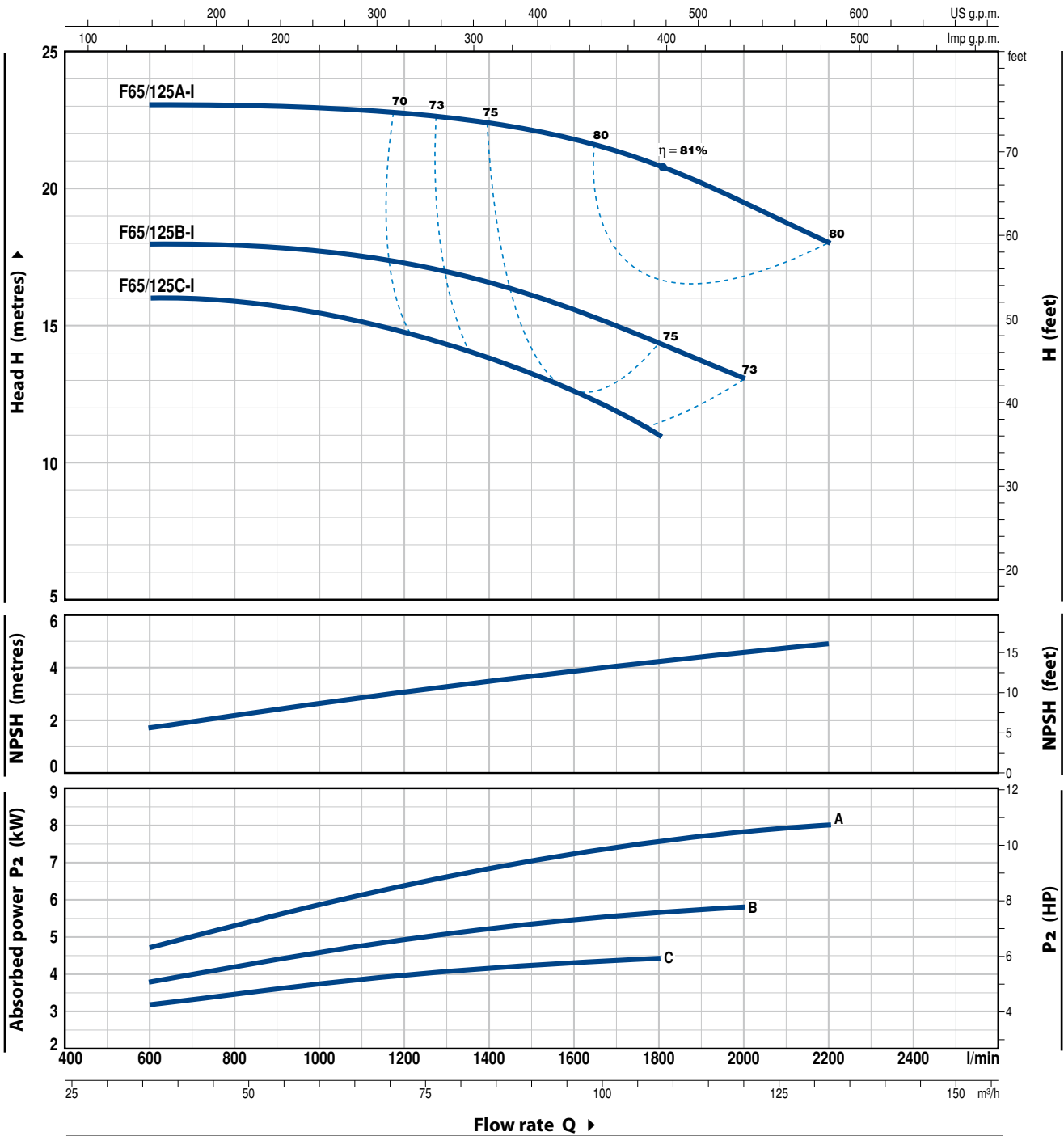
MODEL	POWER (P ₂)		Q	Flow rate											
	kW	HP		0	18	24	30	36	42	48	54	60	66		
Three-phase			l/min	0	300	400	500	600	700	800	900	1000	1100		
F 50/160C-I	4	5.5	H metres	27	27	26.5	25	24.5	23	20	18.5	16			
F 50/160B-I	5.5	7.5		33	32	31.7	31	30	29	27	26	24	21		
F 50/160A-I	7.5	10		38	37	36.8	36.5	36	34	33	32	30	27		

Q = Flow rate H = Total manometric head HS = Suction height

Tolerance of characteristic curves in compliance with EN ISO 9906 Grade 3B.

CHARACTERISTIC CURVES AND PERFORMANCE DATA

60 Hz n= 3450 rpm HS= 0 m



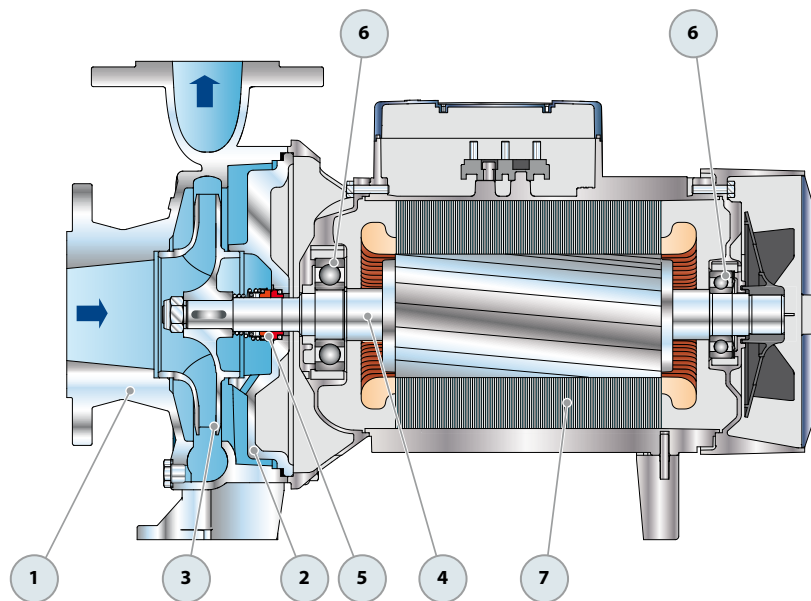
MODEL	POWER (P ₂)		Q	Flow rate											
	kW	HP		0	36	48	60	72	84	96	108	120	132		
Three-phase			l/min	0	600	800	1000	1200	1400	1600	1800	2000	2200		
F 65/125C-I	4	5.5	H metres	16	16	16	15.5	14.5	13.5	12.5	11				
F 65/125B-I	5.5	7.5		18	18	18	18	17	16.5	15.5	14.5	13			
F 65/125A-I	7.5	10		23	23	23	23	22.5	22.5	22	21	19.5	18		

Q = Flow rate H = Total manometric head HS = Suction height

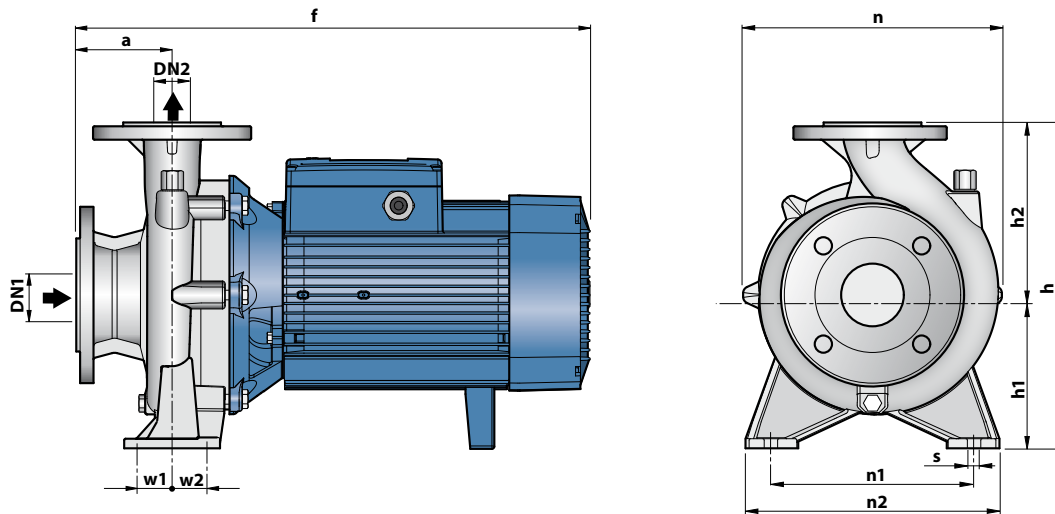
Tolerance of characteristic curves in compliance with EN ISO 9906 Grade 3B.

POS. COMPONENT CONSTRUCTION CHARACTERISTICS

1	PUMP BODY	Stainless steel AISI 316 complete with flanged suction and delivery ports					
2	BODY BACKPLATE	Stainless steel AISI 316					
3	IMPELLER	Stainless steel AISI 316					
4	MOTOR SHAFT	Stainless steel AISI 316					
5	MECHANICAL SEAL	<i>Pump</i>	<i>Seal</i>	<i>Shaft</i>	<i>Materials</i>		
		<i>Model</i>	<i>Model</i>	<i>Diameter</i>	<i>Stationary ring</i>	<i>Rotational ring</i>	<i>Elastomer</i>
		F50/160-I F65/125-I	FN-24SV	Ø 24 mm	Silicon carbide	Silicon carbide	Viton
6	BEARINGS	<i>Pump</i>	<i>Model</i>				
		F50/160-I F65/125-I	6307 ZZ-C3 / 6206 ZZ-C3				
7	ELECTRIC MOTOR	<p>F: three-phase 220/380 V - 60 Hz or 220/440 V - 60 Hz</p> <p>➔ The three-phase pumps are fitted with high performance motors in class IE3 (IEC 60034-30)</p> <ul style="list-style-type: none"> - Insulation: class F - Protection: IP 55 					



DIMENSIONS AND WEIGHT



MODEL	DIMENSIONS mm												kg 3~	
	DN1	DN2	a	f	h	h1	h2	n	n1	n2	w1	w2		s
F 50/160C-I	65	50	100	489	340	160	180	269	212	265	35	35	14	50.2
F 50/160B-I				535										54.0
F 50/160A-I				511										65.5
F 65/125C-I	80	65	100	511	340	160	180	291	212	280	47.5	47.5	14	62.6
F 65/125B-I				557										67.7
F 65/125A-I				557										72.9

ABSORPTION

MODEL	VOLTAGE			
	220 V	380 V	220 V	440 V
Three-phase				
F 50/160C-I	17.7 A	10.3 A	16.4 A	12.5 A
F 50/160B-I	21.0 A	12.0 A	20.8 A	13.5 A
F 50/160A-I	28.0 A	16.5 A	26.7 A	17.5 A
F 65/125C-I	18.0 A	10.4 A	19.5 A	12.5 A
F 65/125B-I	22.5 A	13.0 A	22.0 A	13.8 A
F 65/125A-I	28.8 A	16.6 A	32.0 A	19.5 A