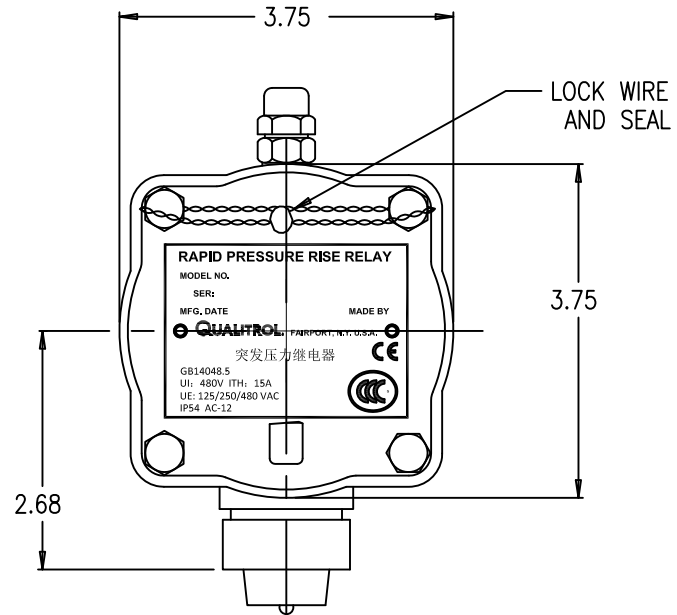
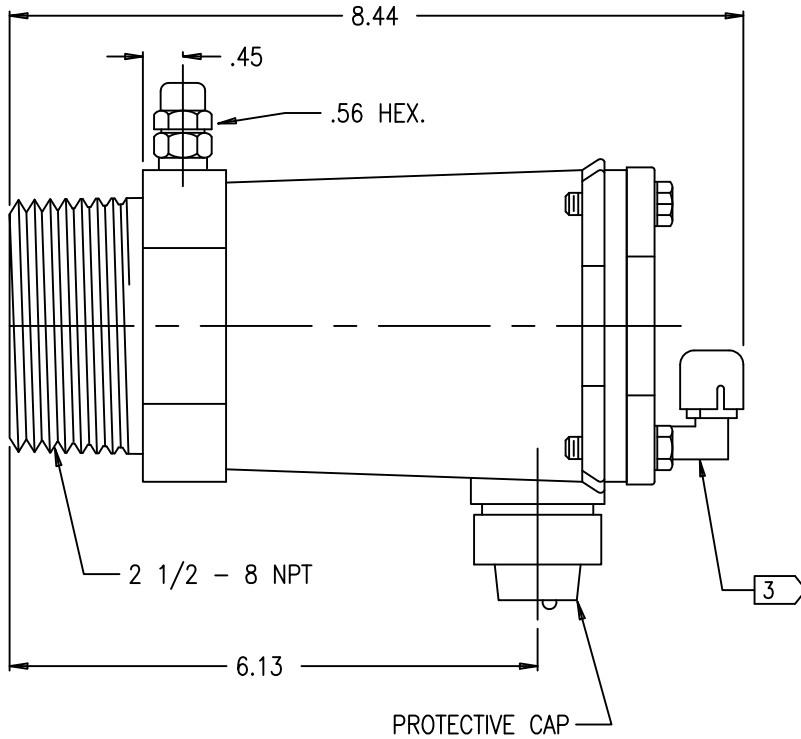


NOTICE
 THIS DRAWING IS THE PROPERTY OF QUALITROL COMPANY LLC AND IS LOANED ONLY ON THE CONDITION THAT IT WILL BE USED TO FACILITATE THE PURPOSE FOR WHICH INTENDED AND NOT BE REPRODUCED, COPIED OR OTHERWISE DISPOSED OF, AND IS NOT TO BE USED IN WHOLE OR PART FOR FURNISHING INFORMATION RELATIVE TO THE MAKING OF DRAWINGS, PARTS APPARATUS OR PARTS THEREOF, EXCEPT BY WRITTEN ORDER FROM QUALITROL COMPANY LLC.

MODEL NO. 900-016

- NOTES:
 1. MEETS QUALITROL PRODUCT PERFORMANCE SPECIFICATION PPS-9.
 2. FOR OIL SPACE INSTALLATION ONLY
 3 UNIT MUST BE MOUNTED HORIZONTALLY WITH VENT UP AS SHOWN.

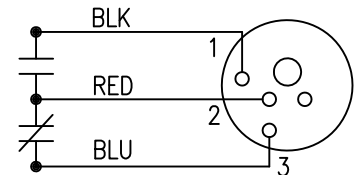


REVISION	MODEL NUMBER	REMARKS
OBSOLETE 17074, 6/17/96	-900-016-01	
26330 11-12-07	900-016-02	REPLACES 900-016-01

SWITCH RATINGS

15 AMP @ 125, 250, 480 VAC
 .5 AMP @ 125 VDC - NON-INDUCTIVE
 .25 AMP @ 250 VDC - NON-INDUCTIVE

WIRING DIAGRAM



LET	DATE	ALTERATION	C.N.
-	4-15-13	REV NAMEPLATE FOR CCC/CE	31153
-	11-12-07	6.13 & 8.44 WERE 5.93 & 8.24	26330
-	6-17-96	REDRAWN, WAS B-SIZE; 3.75 WAS 3.56 (2 PLACES)	17074

QUALITROL

DIMENSIONS AND TOLERANCES IN ACCORDANCE WITH ASME Y14.5M-1994

PH. (585) 586-1515
 FAX (585) 377-0220

1385 FAIRPORT ROAD
 FAIRPORT, NY 14450
 FORM 0-473 REV. F 04/06/06

TITLE: RAPID PRESSURE RISE RELAY (OIL)

MODEL NO. 900-016